

TECHNICAL SPECIFICATIONS	
UNIT TYPE:	MONITORED INPUT
ORIENTATION:	VERTICAL, HALF
OUTLET QTY & TYPE:	(16) 5-20R
INPUT VOLTAGE:	100-120VAC
INPUT CURRENT:	20A (16A DERATED)
BREAKER QTY & TYPE:	N/A
INPUT PHASE:	SINGLE-PHASE
RATED POWER:	1.9kVA
INPUT PLUG:	SEE NOTE 7
INPUT POWER CORD:	SEE IDENTIFICATION TABLE
FEATURES	
METERING ACCURACY	+/-1% TO ISO/ IEC 62052-21
METERING ATTRIBUTES	VOLTAGE(V), CURRENT(A), APPARENT POWER(kVA), REAL POWER(kW), POWER FACTOR, ENERGY(kWh)
METERED COMPONENTS	INPUT(PHASE)
REMOTE OUTLET SWITCHING	N/A
ENVIRONMENTAL CONDITIONS	
OPERATING TEMPERATURE	-5 TO 60 C (23 TO 140 F)
STORAGE TEMPERATURE	-20 TO 60 C (-4 TO 140 F)
HUMIDITY (OPERATING/STORAGE)	5-90% RH / 5-95% RH; NON-CONDENSING
MAX OPERATING ELEVATION, ABOVE MSL	3000M(9840FT)
COMPLIANCE	
SAFETY&ENVIRONMENTAL	RoHS COMPLIANT

IDENTIFICATION TABLE	RP 1316	*	*	*	*
MODEL IS SHOWN IN DEFAULT CONFIGURATION. FOR OPTIONAL CONFIGURATIONS, USE ITEM IDENTIFIER CODE IN PLACE OF EACH ASTERISK. ORDERABLE BASED ON FORMAT: RP1316 ***** DO NOT INCLUDE TRAILING ZEROS IN ***** SUFFIX	INPUT PLUG (DEFAULT) L5 - 20P = 0	CHASSIS COLOR (DEFAULT) BLACK = 0 BLUE = B RED = R WHITE = W GREEN = G YELLOW = Y	CORD OPTION (DEFAULT) 3m [10'] = 0 1m [3.2'] = 1 2m [6.6'] = 2	ORIENTATION (DEFAULT) TOP FEED = 0 BOTTOM FEED = 2	
OPTIONS LISTED ON THIS ROW ARE NON STANDARD, CONTACT SALES FOR ADDITIONAL INFORMATION		ORANGE = A	0.5m [1.6'] = A 1.2m [4'] = G 1.5m [4.9'] = B 1.8m [6'] = F 2.5m [8.2'] = C		

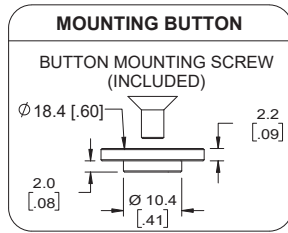
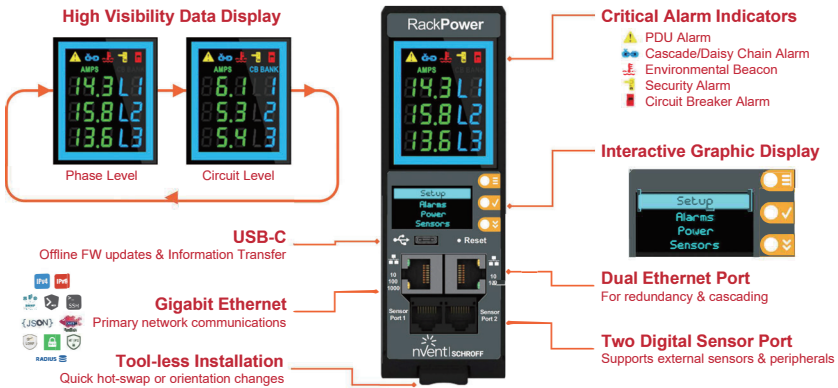
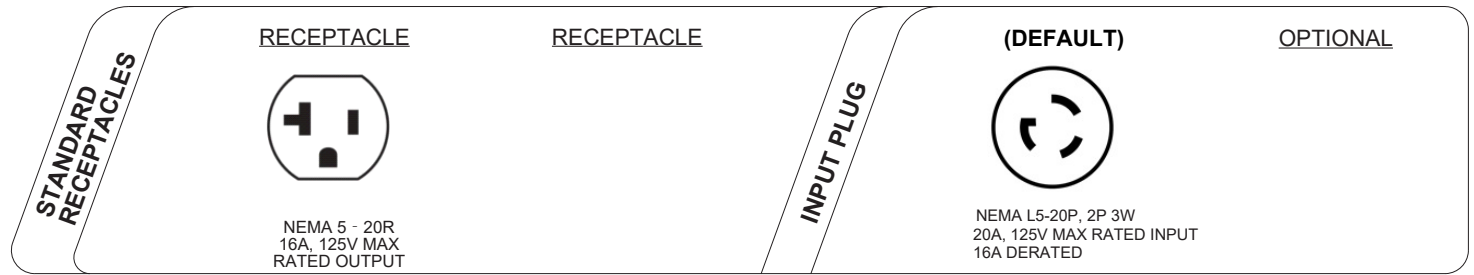
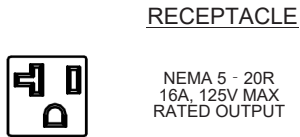
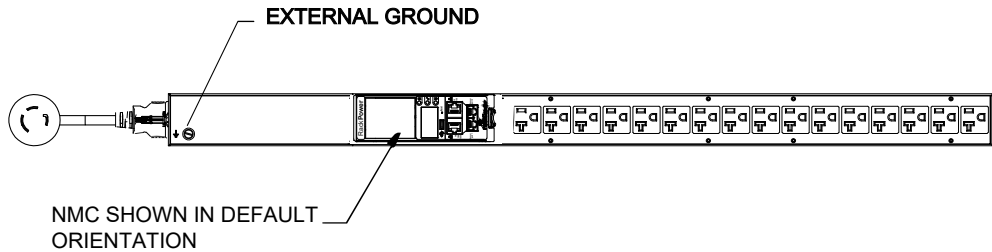
- NOTES :
- INSTALLATION SHALL COMPLY WITH ALL APPLICABLE NATIONAL, STATE AND LOCAL CODES.
 - PRIMARY DIMENSIONS ARE IN MILLIMETERS. SECONDARY DIMENSIONS ARE IN [INCHES]
 - UNIVERSAL MOUNTING BRACKET IS AN ALTERNATIVE MOUNTING METHOD TO THE TOOLLESS MOUNT FOR 3RD PARTY ENCLOSURES. BRACKET IS PROVIDED WITH THE UNIT.
 - DETAILED INSTALLATION INSTRUCTIONS CAN BE FOUND IN THE QUICK START GUIDE
 - CONNECT EXTERNAL EARTH GROUND TO THE 10-32 SIZE THREADED NUT
 - SEE PRODUCT DOCUMENTATION FOR FURTHER INFORMATION
 - INPUT PLUG CONFIGURATION (SEE IDENTIFICATION TABLE) FOR DUAL-RATED UNITS, NEMA PLUGS ARE NAM RATED ONLY AND CAPTIVE AUS/NZ PLUGS ARE EMEA RATED ONLY

nvent | SCHROFF

THIS DRAWING AND SPECIFICATIONS HEREIN ARE THE PROPERTY OF CIS GLOBAL AND SHALL NOT BE COPIED, REPRODUCED OR USED IN WHOLE OR IN PART, AS THE BASIS FOR THE MANUFACTURE OR SALE OF ITEMS WITHOUT WRITTEN PERMISSION FROM CIS GLOBAL. THIS DRAWING IS BASED UPON LATEST AVAILABLE INFORMATION AND IS SUBJECT TO CHANGE WITHOUT NOTICE

ECN/ECO	REV.	DESCRIPTION	DATE	APPROVED
ECN-2210-0226	E2	REVISE METER ACCURACY AND ATTRIBUTES CONTENT	2022/10/08	LRF
	E1	INITIAL DRAFT REVIEW	2022/05/13	LRF

TITLE:		UNLESS NOTED, DIMENSIONS ARE IN MILLIMETERS & TOLERANCES ARE:		PART NO:		REV.	
Advantage Series Metered		X. ±1 MM	X* ±1°	RP1316WXYZDA		E2	
		X.X ±0.5 MM	X.X* ±0.5°				
PROJECT: RackPower		X.XX ±0.20 MM		DRAWN BY: LRF		2022/05/13	
		ØX.X ±0.3 MM					
		ØX.XX ±0.10 MM		APPROVED BY: Hanson		2022/10/08	
				⊕ THRID ANGLE PROJECTION		SIZE: A3	
				INTERPRET PER ASME Y14.5M-1994			



NOTES:

- INSTALLATION SHALL COMPLY WITH ALL APPLICABLE NATIONAL, STATE AND LOCAL CODES.
- SEE PRODUCT DOCUMENTATION FOR FURTHER INFORMATION

nvent | SCHROFF

THIS DRAWING AND SPECIFICATIONS HEREIN ARE THE PROPERTY OF CIS GLOBAL AND SHALL NOT BE COPIED, REPRODUCED OR USED IN WHOLE OR IN PART, AS THE BASIS FOR THE MANUFACTURE OR SALE OF ITEMS WITHOUT WRITTEN PERMISSION FROM CIS GLOBAL. THIS DRAWING IS BASED UPON LATEST AVAILABLE INFORMATION AND IS SUBJECT TO CHANGE WITHOUT NOTICE

ECN-2210-0226	E2	REVISE METER ACCURACY AND ATTRIBUTES CONTENT	2022/10/08	LRF
	E1	INITIAL DRAFT REVIEW	2022/05/13	LRF
ECN/ECO	REV.	DESCRIPTION	DATE	APPROVED
REVISIONS				
TITLE:		UNLESS NOTED, DIMENSIONS ARE IN MILLIMETERS & TOLERANCES ARE:		PART NO:
Advantage Series Metered		X. ±1 MM X* ±1"		RP1316WXYZ_DA
		X.X ±0.5 MM X.X* ±0.5"		REV. E2
PROJECT:		X.XX ±0.20 MM		DRAWN BY: LRF
		X.XX ±0.3 MM		2022/05/13
RackPower		X.XX ±0.10 MM		ENGINEER: LJB
		BRACKETED DIMENSIONS ARE IN INCHES FOR REFERENCE ONLY		2022/10/08
		⊕ THRD ANGLE PROJECTION		APPROVED BY: Hanson
		INTERPRET PER ASME Y14.5M-1994		SCALE: N/A
				SHEET 2 OF 3
				SIZE: A3

nvent | SCHROFF RackPower Distribution Unit **Metered** Made In XXXXX (Factory ID: X)

SKU #: RP1316WXYZ
Model #: EP13016-0021
INPUT: 100-120VAC, 1 Phase, 50/60Hz, 16A
OUTPUT: 5-20R; 100-120VAC, 16A per outlet
16A Total

MAC0 Address: XX-XX-XX-XX-XX-XX
MAC1 Address: XX-XX-XX-XX-XX-XX

THIS DEVICE COMPLIES WITH PART 15 OF THE FCC RULES. OPERATION IS SUBJECT TO THE FOLLOWING TWO CONDITIONS:
(1) THIS DEVICE MAY NOT CAUSE HARMFUL INTERFERENCE, AND (2) THIS DEVICE MUST ACCEPT ANY INTERFERENCE RECEIVED, INCLUDING INTERFERENCE THAT MAY CAUSE UNDESIRE OPERATION.
CAN ICES-3(A)/NMB-3(A)

UL LISTED I.T.E. E342720

FC

Serial Number: RP1316WXYZ

PRODUCT CODE: XXXXXXXX

XXXXXX

Mfr.Name:XXXXXXXXXXXXXXXXXXXXXXXXXXXX

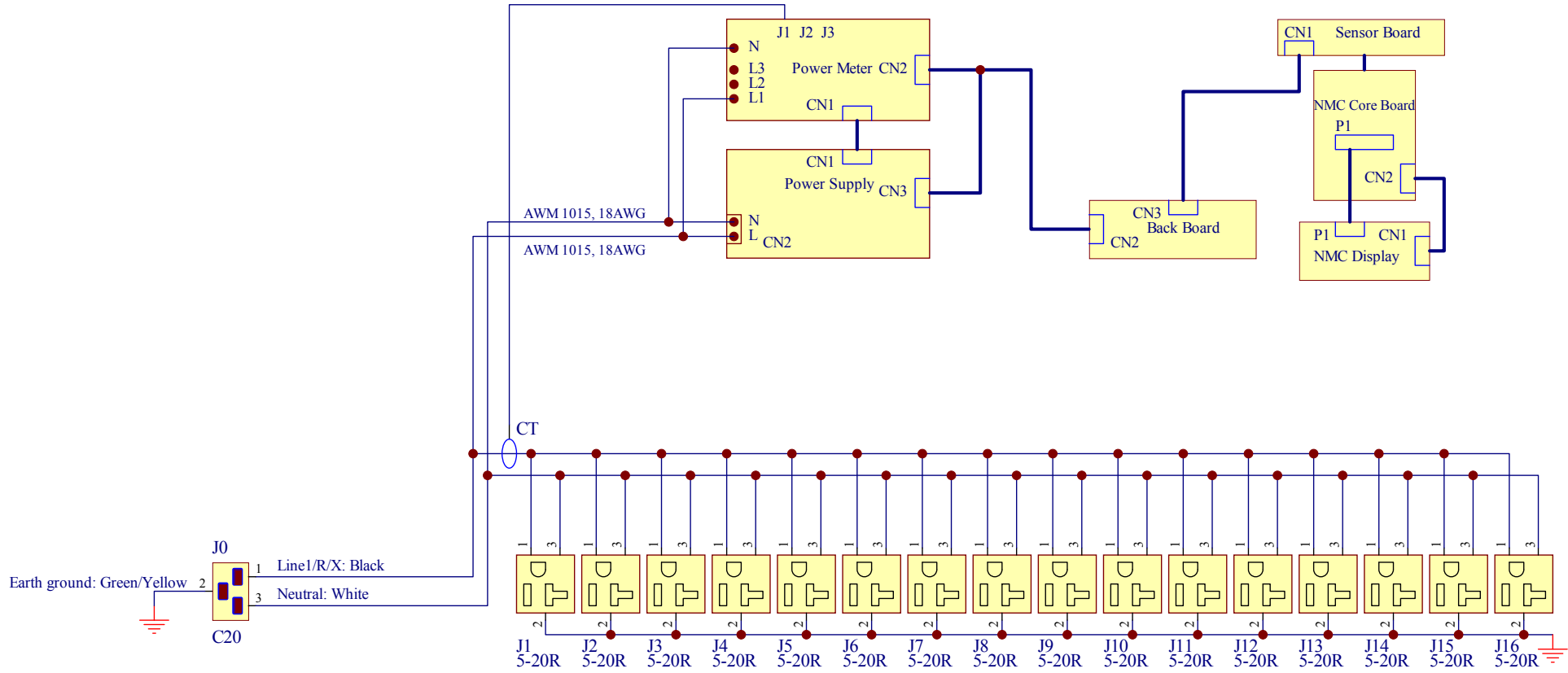
NOTES:

1. INTERNAL WIRING:

WIRE TYPE: UL AWM 1015, 12 & 18AWG
 LINE 1/R/X COLOR: BLACK
 EARTH GROUND COLOR: GREEN/YELLOW STRIPE
 NEUTRAL WIRE COLOR: WHITE

2. REFERENCE PANDUIT ENGINEERING PRODUCT SPECIFICATION SPS-EDI-497 FOR ADDITIONAL PRODUCT INFORMATION NOT SPECIFIED ON THIS DRAWING

COMPLIANCE LABEL



INTERNAL WIRING SCHEMATIC DIAGRAM

ECN-2210-0226	E2	REVISE METER ACCURACY AND ATTRIBUTES CONTENT	2022/10/08	LRF
	E1	INITIAL DRAFT REVIEW	2022/05/13	LRF
ECN/ECO	REV.	DESCRIPTION	DATE	APPROVED

- NOTES:**
- INSTALLATION SHALL COMPLY WITH ALL APPLICABLE NATIONAL, STATE AND LOCAL CODES.
 - SEE PRODUCT DOCUMENTATION FOR FURTHER INFORMATION
 - THIS DRAWING DEPICTS THE POWER SYSTEM CONNECTIONS AND IS NOT REPRESENTATIVE OF THE PHYSICAL LAYOUT. PLEASE REFER TO MECHANICAL DRAWINGS FOR PHYSICAL LAYOUT.

nvent | SCHROFF

THIS DRAWING AND SPECIFICATIONS HEREIN ARE THE PROPERTY OF CIS GLOBAL AND SHALL NOT BE COPIED, REPRODUCED OR USED IN WHOLE OR IN PART, AS THE BASIS FOR THE MANUFACTURE OR SALE OF ITEMS WITHOUT WRITTEN PERMISSION FROM CIS GLOBAL. THIS DRAWING IS BASED UPON LATEST AVAILABLE INFORMATION AND IS SUBJECT TO CHANGE WITHOUT NOTICE

TITLE:	Advantage Series Metered	UNLESS NOTED, DIMENSIONS ARE IN MILLIMETERS & TOLERANCES ARE: X: ±1 MM X°: ±1° X.X: ±0.5 MM X.X°: ±0.5° Ø.XX: ±0.20 MM Ø.X: ±0.3 MM Ø.X.XX: ±0.10 MM	PART NO: RP1316WXYZ_DA	REV. E2
PROJECT:	RackPower	BRACKETED DIMENSIONS ARE IN INCHES FOR REFERENCE ONLY	DRAWN BY: LRF	2022/05/13
		THIRD ANGLE PROJECTION	ENGINEER: LJB	2022/10/08
		INTERPRET PER ASME Y14.5M-1994	APPROVED BY: Hanson	2022/10/08
			SCALE: N/A	SHEET 3 OF 3
				A3