

TECHNICAL SPECIFICATIONS	
UNIT TYPE:	MONITORED INPUT
ORIENTATION:	VERTICAL, MID
OUTLET QTY & TYPE:	(20)C13, (4)C19
INPUT VOLTAGE:	200-240VAC
INPUT CURRENT:	30A (24A DERATED)
BREAKER QTY & TYPE:	(2) 20AMP, DOUBLE-POLE
INPUT PHASE:	SINGLE-PHASE
RATED POWER:	5.0kVA
INPUT PLUG:	SEE NOTE 7
INPUT POWER CORD:	SEE IDENTIFICATION TABLE
FEATURES	
METERING ACCURACY	+/-1% TO ISO/ IEC 62052-21
METERING ATTRIBUTES	VOLTAGE(V), CURRENT(A), APPARENT POWER(kVA), REAL POWER(kW), POWER FACTOR, ENERGY(kWh)
METERED COMPONENTS	INPUT(PHASE), CIRCUIT BREAKERS
REMOTE OUTLET SWITCHING	N/A
ENVIRONMENTAL CONDITIONS	
OPERATING TEMPERATURE	-5 TO 60 C (23 TO 140 F)
STORAGE TEMPERATURE	-20 TO 60 C (-4 TO 140 F)
HUMIDITY (OPERATING/STORAGE)	5-90% RH / 5-95% RH; NON-CONDENSING
MAX OPERATING ELEVATION, ABOVE MSL	3000M(9840FT)
COMPLIANCE	
SAFETY&ENVIRONMENTAL	RoHS COMPLIANT

IDENTIFICATION TABLE	RP 1324	*	*	*	*
MODEL IS SHOWN IN DEFAULT CONFIGURATION. FOR OPTIONAL CONFIGURATIONS, USE ITEM IDENTIFIER CODE IN PLACE OF EACH ASTERISK. ORDERABLE BASED ON FORMAT: RP1324* **** DO NOT INCLUDE TRAILING ZEROS IN **** SUFFIX	INPUT PLUG (DEFAULT) L6 - 30P = 0	CHASSIS COLOR (DEFAULT) BLACK = 0 BLUE = B RED = R WHITE = W GREEN = G YELLOW = Y	CORD OPTION (DEFAULT) 3m [10'] = 0 1m [3.2'] = 1 2m [6.6'] = 2	ORIENTATION (DEFAULT) TOP FEED = 0 BOTTOM FEED = 2	
OPTIONS LISTED ON THIS ROW ARE NON STANDARD, CONTACT SALES FOR ADDITIONAL INFORMATION		ORANGE = A	0.5m [1.6'] = A 1.2m [4'] = G 1.5m [4.9'] = B 1.8m [6'] = F 2.5m [8.2'] = C		

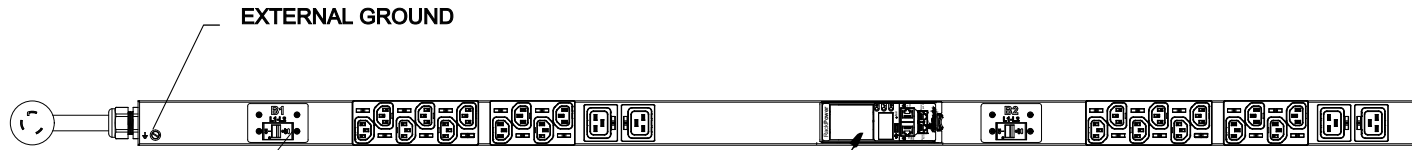
- NOTES :
- INSTALLATION SHALL COMPLY WITH ALL APPLICABLE NATIONAL, STATE AND LOCAL CODES.
 - PRIMARY DIMENSIONS ARE IN MILLIMETERS. SECONDARY DIMENSIONS ARE IN [INCHES]
 - UNIVERSAL MOUNTING BRACKET IS AN ALTERNATIVE MOUNTING METHOD TO THE TOOLLESS MOUNT FOR 3RD PARTY ENCLOSURES. BRACKET IS PROVIDED WITH THE UNIT.
 - DETAILED INSTALLATION INSTRUCTIONS CAN BE FOUND IN THE QUICK START GUIDE
 - CONNECT EXTERNAL EARTH GROUND TO THE 10-32 SIZE THREADED NUT
 - SEE PRODUCT DOCUMENTATION FOR FURTHER INFORMATION
 - INPUT PLUG CONFIGURATION (SEE IDENTIFICATION TABLE) FOR DUAL-RATED UNITS, NEMA PLUGS ARE NAM RATED ONLY AND CAPTIVE AUS/NZ PLUGS ARE EMEA RATED ONLY

nvent | SCHROFF

THIS DRAWING AND SPECIFICATIONS HEREIN ARE THE PROPERTY OF CIS GLOBAL AND SHALL NOT BE COPIED, REPRODUCED OR USED IN WHOLE OR IN PART, AS THE BASIS FOR THE MANUFACTURE OR SALE OF ITEMS WITHOUT WRITTEN PERMISSION FROM CIS GLOBAL. THIS DRAWING IS BASED UPON LATEST AVAILABLE INFORMATION AND IS SUBJECT TO CHANGE WITHOUT NOTICE

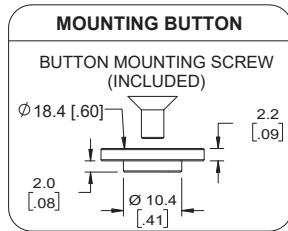
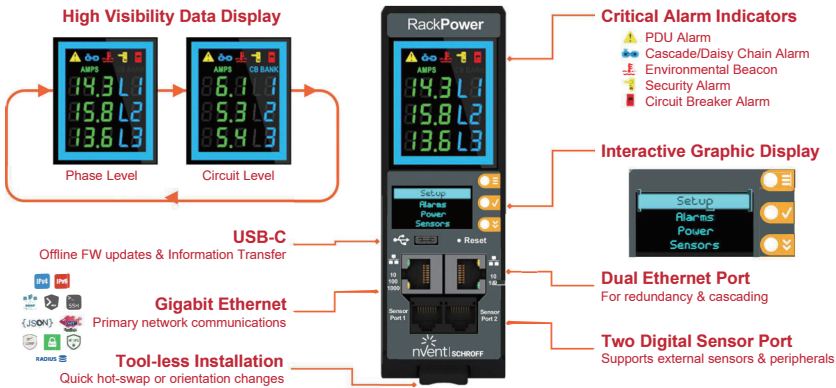
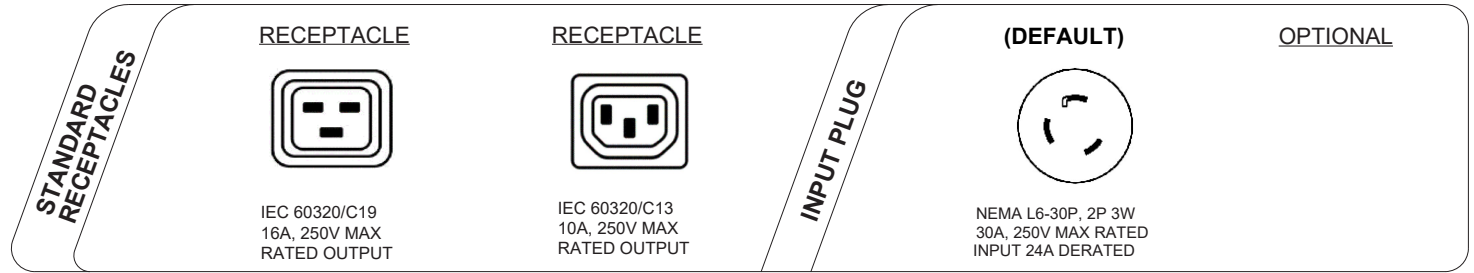
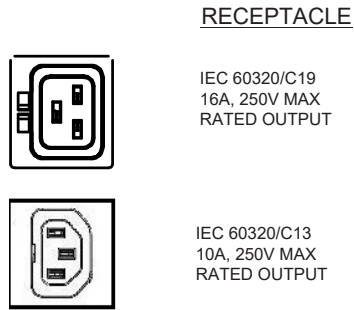
ECN/ECO	REV.	DESCRIPTION	DATE	APPROVED
ECN-2210-0226	E2	REVISE METER ACCURACY AND ATTRIBUTES CONTENT	2022/10/08	LRF
	E1	INITIAL DRAFT REVIEW	2022/05/13	LRF

REVISIONS			
TITLE:	UNLESS NOTED, DIMENSIONS ARE IN MILLIMETERS & TOLERANCES ARE:	PART NO:	REV.
Advantage Series Metered	X: ±1 MM X*: ±1* X.X ±0.5 MM X.X*: ±0.5* X.XX ±0.20 MM ØX.X ±0.3 MM ØX.XX ±0.10 MM	RP1324WXYZ_DA	E2
PROJECT: RackPower	BRACKETED DIMENSIONS ARE IN INCHES FOR REFERENCE ONLY	DRAWN BY: LRF	2022/05/13
	⊕ THIRD ANGLE PROJECTION	ENGINEER: LJB	2022/10/08
	INTERPRET PER ASME Y14.5M-1994	APPROVED BY: Hanson	2022/10/08
		SCALE: N/A	SHEET 1 OF 3
			A3



20 AMP, DOUBLE-POLE ELECTRO MECHANICAL SWITCH / BREAKER (2) PLACES

NMC SHOWN IN DEFAULT ORIENTATION



NOTES:

- INSTALLATION SHALL COMPLY WITH ALL APPLICABLE NATIONAL, STATE AND LOCAL CODES.
- SEE PRODUCT DOCUMENTATION FOR FURTHER INFORMATION

nvent | SCHROFF

THIS DRAWING AND SPECIFICATIONS HEREIN ARE THE PROPERTY OF CIS GLOBAL AND SHALL NOT BE COPIED, REPRODUCED OR USED IN WHOLE OR IN PART, AS THE BASIS FOR THE MANUFACTURE OR SALE OF ITEMS WITHOUT WRITTEN PERMISSION FROM CIS GLOBAL. THIS DRAWING IS BASED UPON LATEST AVAILABLE INFORMATION AND IS SUBJECT TO CHANGE WITHOUT NOTICE

ECN-2210-0226	E2	REVISE METER ACCURACY AND ATTRIBUTES CONTENT	2022/10/08	LRF
	E1	INITIAL DRAFT REVIEW	2022/05/13	LRF
ECN/ECO	REV.	DESCRIPTION	DATE	APPROVED
REVISIONS				
TITLE:		UNLESS NOTED, DIMENSIONS ARE IN MILLIMETERS & TOLERANCES ARE:	PART NO:	
Advantage Series Metered		X. ±1 MM	RP1324WXYZ_DA	
		X.X ±0.5 MM	REV. E2	
PROJECT: RackPower		X.XX ±0.20 MM	DRAWN BY: LRF	
		Ø X.X ±0.3 MM	ENGINEER: LJB	
		Ø X.XX ±0.10 MM	APPROVED BY: Hanson	
		BRACKETED DIMENSIONS ARE IN INCHES FOR REFERENCE ONLY	SCALE: N/A	
		⊕ THRD ANGLE PROJECTION	SHEET 2 OF 3	
		INTERPRET PER ASME Y14.5M-1994	SIZE: A3	

nvent | SCHROFF
SKU #: RP1324WXYZ
Model #: EP11024-0029
INPUT: 200-240VAC, 1 Phase, 50/60Hz, 24A
OUTPUT: C13; 200-240VAC, 10A per outlet
C19; 200-240VAC, 16A per outlet
24A Total
MAC0 Address: XX-XX-XX-XX-XX-XX
MAC1 Address: XX-XX-XX-XX-XX-XX

Metered

THIS DEVICE COMPLIES WITH PART 15 OF THE FCC RULES. OPERATION IS SUBJECT TO THE FOLLOWING TWO CONDITIONS: (1) THIS DEVICE MAY NOT CAUSE HARMFUL INTERFERENCE, AND (2) THIS DEVICE MUST ACCEPT ANY INTERFERENCE RECEIVED, INCLUDING INTERFERENCE THAT MAY CAUSE UNDESIRE OPERATION. CANICES-3(A)/NMB-3(A)

UL LISTED I.T.E. E342720

FC

50

SKU#
RP1324WXYZ

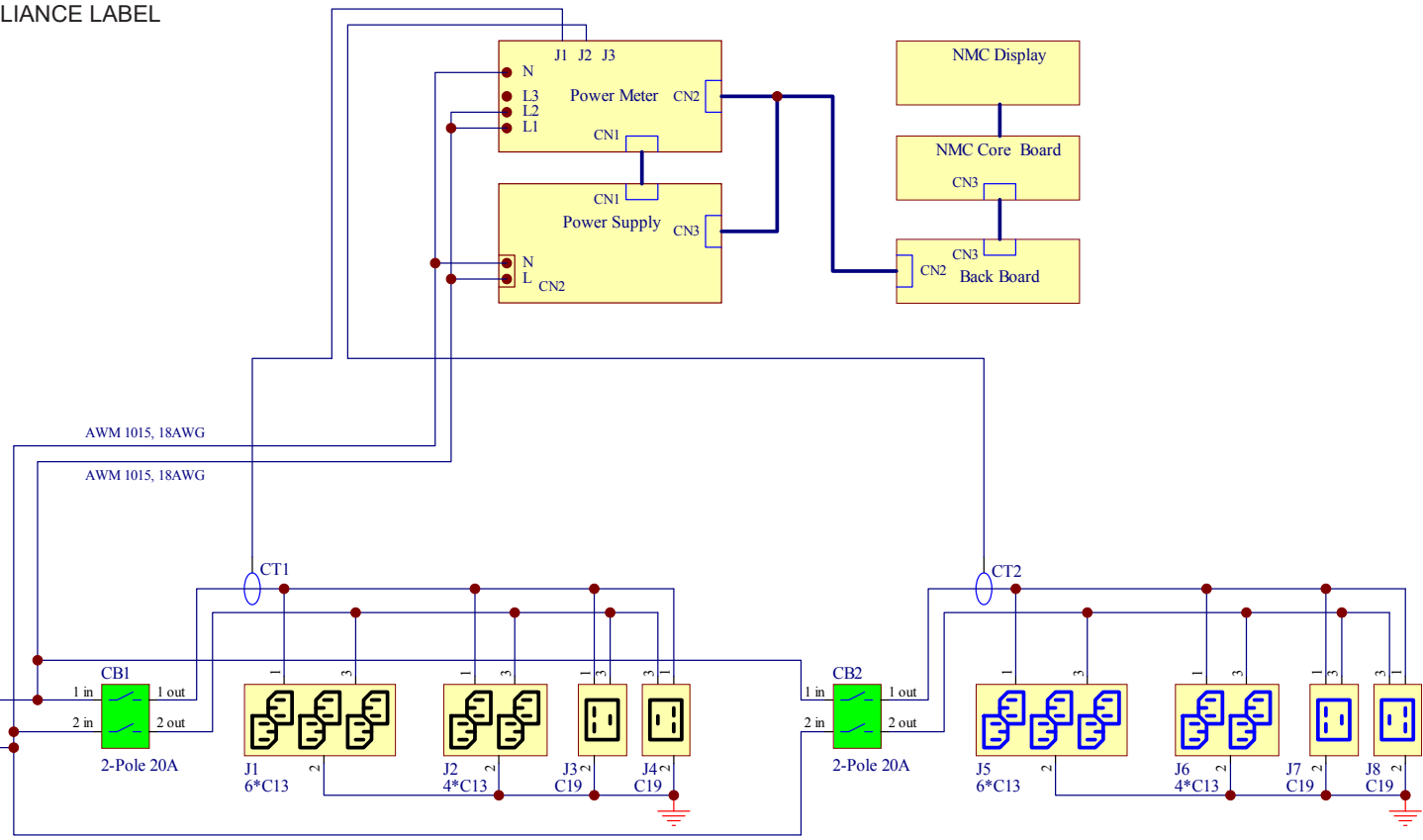
Serial Number
XXXXXXXXXX

PRODUCT CODE
XXXXXX

Mfr.Name:XXXXXXXXXXXXXXXXXXXXXXXXXXXX

NOTES:
 1. INTERNAL WIRIN
 WIRE TYPE: UL AWM 1015, 12 & 18AWG
 LINE 1/R/X COLOR: BLACK
 EARTH GROUND COLOR: GREEN/YELLOW STRIPE
 NEUTRAL WIRE COLOR: RED
 2. FOR FINISHED GOOD PART NUMBER SEE IDENTIFICATION

COMPLIANCE LABEL



INTERNAL WIRING SCHEMATIC

NOTES:
 1. INSTALLATION SHALL COMPLY WITH ALL APPLICABLE NATIONAL, STATE AND LOCAL CODES.
 2. SEE PRODUCT DOCUMENTATION FOR FURTHER INFORMATION
 3. THIS DRAWING DEPICTS THE POWER SYSTEM CONNECTIONS AND IS NOT REPRESENTATIVE OF THE PHYSICAL LAYOUT. PLEASE REFER TO MECHANICAL DRAWINGS FOR PHYSICAL LAYOUT.

nvent | SCHROFF

THIS DRAWING AND SPECIFICATIONS HEREIN ARE THE PROPERTY OF CIS GLOBAL AND SHALL NOT BE COPIED, REPRODUCED OR USED IN WHOLE OR IN PART, AS THE BASIS FOR THE MANUFACTURE OR SALE OF ITEMS WITHOUT WRITTEN PERMISSION FROM CIS GLOBAL. THIS DRAWING IS BASED UPON LATEST AVAILABLE INFORMATION AND IS SUBJECT TO CHANGE WITHOUT NOTICE

ECN-2210-0226	E2	REVISE METER ACCURACY AND ATTRIBUTES CONTENT	2022/10/08	LRF
	E1	INITIAL DRAFT REVIEW	2022/05/13	LRF
ECN/ECO	REV.	DESCRIPTION	DATE	APPROVED

REVISIONS				
TITLE:	Advantage Series Metered	UNLESS NOTED, DIMENSIONS ARE IN MILLIMETERS & TOLERANCES ARE: X. ±1 MM X° ±1° X.X ±0.5 MM X.X° ±0.5° X.XX ±0.20 MM ØX.X ±0.3 MM ØX.XX ±0.10 MM	PART NO: RP13G WXYZ_DA	REV. E2
PROJECT:	RackPower	BRACKETED DIMENSIONS ARE IN INCHES FOR REFERENCE ONLY	DRAWN BY: LRF	2022/05/13
		⊕ THRID ANGLE PROJECTION	ENGINEER: LJB	2022/10/08
		INTERPRET PER ASME Y14.5M-1994	APPROVED BY: Hanson	2022/10/08
			SCALE: N/A	SHEET 3 OF 3
				SIZE: A3