

TECHNICAL SPECIFICATIONS	
UNIT TYPE:	MONITORED INPUT
ORIENTATION:	VERTICAL, 0U MID
OUTLET QTY & TYPE:	(20)C13, (4)C19
INPUT VOLTAGE:	200-240VAC
INPUT CURRENT:	32A
BREAKER QTY & TYPE:	(2) 16AMP, SINGLE-POLE
INPUT PHASE:	SINGLE-PHASE
RATED POWER:	7.4kVA
INPUT PLUG:	SEE NOTE 7
INPUT POWER CORD:	SEE IDENTIFICATION TABLE
FEATURES	
METERING ACCURACY	+/-1% TO ISO/ IEC 62052-21
METERING ATTRIBUTES	VOLTAGE(V), CURRENT(A), APPARENT POWER(kVA), REAL POWER(kW), POWER FACTOR, ENERGY(kWh)
METERED COMPONENTS	INPUT(PHASE), CIRCUIT BREAKERS
REMOTE OUTLET SWITCHING	N/A
ENVIRONMENTAL CONDITIONS	
OPERATING TEMPERATURE	-5 TO 60 C (23 TO 140 F)
STORAGE TEMPERATURE	-20 TO 60 C (-4 TO 140 F)
HUMIDITY (OPERATING/STORAGE)	5-90% RH / 5-95% RH; NON-CONDENSING
MAX OPERATING ELEVATION, ABOVE MSL	3000M(9840FT)
COMPLIANCE	
SAFETY&ENVIRONMENTAL	RoHS COMPLIANT

IDENTIFICATION TABLE	RP 1325	*	*	*	*
MODEL IS SHOWN IN DEFAULT CONFIGURATION. FOR OPTIONAL CONFIGURATIONS, USE ITEM IDENTIFIER CODE IN PLACE OF EACH ASTERISK. ORDERABLE BASED ON FORMAT: RP1325* **** DO NOT INCLUDE TRAILING ZEROS IN **** SUFFIX	INPUT PLUG (DEFAULT) 332P6(IP44)=0	CHASSIS COLOR (DEFAULT) BLACK = 0 BLUE = B RED = R WHITE = W GREEN = G YELLOW = Y	CORD OPTION (DEFAULT) 3m [10'] = 0 1m [3.2'] = 1 2m [6.6'] = 2	ORIENTATION (DEFAULT) TOP FEED = 0 BOTTOM FEED = 2	
OPTIONS LISTED ON THIS ROW ARE NON STANDARD, CONTACT SALES FOR ADDITIONAL INFORMATION		ORANGE = A	0.5m [1.6'] = A 1.2m [4'] = G 1.5m [4.9'] = B 1.8m [6'] = F 2.5m [8.2'] = C		

- NOTES :**
- INSTALLATION SHALL COMPLY WITH ALL APPLICABLE NATIONAL, STATE AND LOCAL CODES.
 - PRIMARY DIMENSIONS ARE IN MILLIMETERS. SECONDARY DIMENSIONS ARE IN [INCHES]
 - UNIVERSAL MOUNTING BRACKET IS AN ALTERNATIVE MOUNTING METHOD TO THE TOOLLESS MOUNT FOR 3RD PARTY ENCLOSURES. BRACKET IS PROVIDED WITH THE UNIT.
 - DETAILED INSTALLATION INSTRUCTIONS CAN BE FOUND IN THE QUICK START GUIDE
 - CONNECT EXTERNAL EARTH GROUND TO THE 10-32 SIZE THREADED NUT
 - SEE PRODUCT DOCUMENTATION FOR FURTHER INFORMATION
 - INPUT PLUG CONFIGURATION (SEE IDENTIFICATION TABLE) FOR DUAL-RATED UNITS, NEMA PLUGS ARE NAM RATED ONLY AND CAPTIVE AUS/NZ PLUGS ARE EMEA RATED ONLY

nvent | SCHROFF

THIS DRAWING AND SPECIFICATIONS HEREIN ARE THE PROPERTY OF CIS GLOBAL AND SHALL NOT BE COPIED, REPRODUCED OR USED IN WHOLE OR IN PART, AS THE BASIS FOR THE MANUFACTURE OR SALE OF ITEMS WITHOUT WRITTEN PERMISSION FROM CIS GLOBAL. THIS DRAWING IS BASED UPON LATEST AVAILABLE INFORMATION AND IS SUBJECT TO CHANGE WITHOUT NOTICE

ECN/ECO	REV.	DESCRIPTION	DATE	APPROVED
ECN-2210-0226	E2	REVISE METER ACCURACY AND ATTRIBUTES CONTENT	2022/10/08	LRF
	E1	INITIAL DRAFT REVIEW	2022/05/13	LRF

TITLE:	UNLESS NOTED, DIMENSIONS ARE IN MILLIMETERS & TOLERANCES ARE:	PART NO:	REV.
Advantage Series Metered	X. ±1 MM X* ±1° X.X ±0.5 MM X.X* ±0.5° X.XX ±0.20 MM ØX.X ±0.3 MM ØX.XX ±0.10 MM	RP1325WXYZ_DA	E1
PROJECT: RackPower	BRACKETED DIMENSIONS ARE IN INCHES FOR REFERENCE ONLY	DRAWN BY: LRF	2022/05/13
	⊙ THIRD ANGLE PROJECTION	ENGINEER: LJB	2022/10/08
	INTERPRET PER ASME Y14.5M-1994	APPROVED BY: Hanson	2022/10/08
		SCALE: N/A	SHEET 1 OF 3
			A3

16 AMP, SINGLE-POLE ELECTRO MECHANICAL SWITCH / BREAKER (2) PLACES

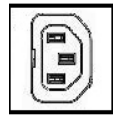
EXTERNAL GROUND

NMC SHOWN IN DEFAULT ORIENTATION

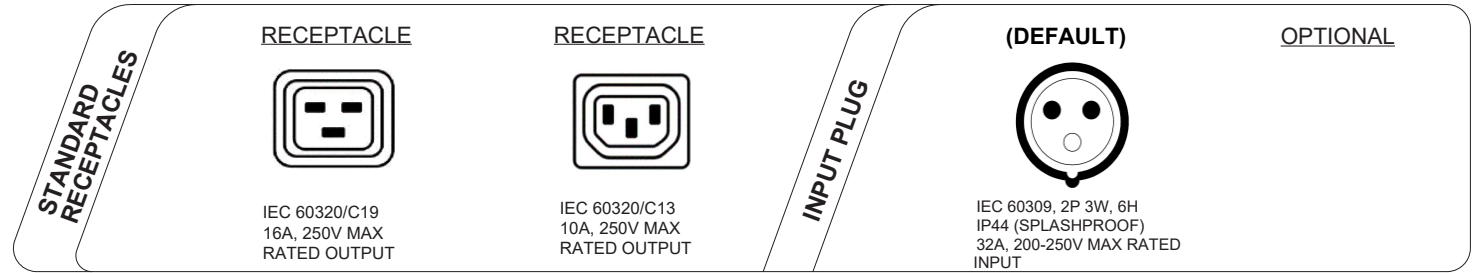
RECEPTACLE



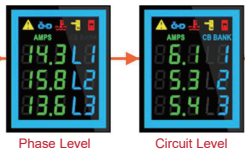
IEC 60320/C19
16A, 250V MAX
RATED OUTPUT



IEC 60320/C13
10A, 250V MAX
RATED OUTPUT



High Visibility Data Display



Critical Alarm Indicators

- ▲ PDU Alarm
- ◆ Cascade/Daisy Chain Alarm
- ⚡ Environmental Beacon
- 🚒 Security Alarm
- 🔴 Circuit Breaker Alarm

Interactive Graphic Display



USB-C

Offline FW updates & Information Transfer

Gigabit Ethernet

Primary network communications

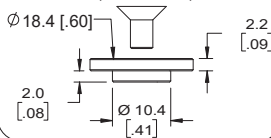
Tool-less Installation

Quick hot-swap or orientation changes



MOUNTING BUTTON

BUTTON MOUNTING SCREW (INCLUDED)



Dual Ethernet Port

For redundancy & cascading

Two Digital Sensor Port

Supports external sensors & peripherals



THIS DRAWING AND SPECIFICATIONS HEREIN ARE THE PROPERTY OF CIS GLOBAL AND SHALL NOT BE COPIED, REPRODUCED OR USED IN WHOLE OR IN PART, AS THE BASIS FOR THE MANUFACTURE OR SALE OF ITEMS WITHOUT WRITTEN PERMISSION FROM CIS GLOBAL. THIS DRAWING IS BASED UPON LATEST AVAILABLE INFORMATION AND IS SUBJECT TO CHANGE WITHOUT NOTICE

ECN/ECO	REV.	DESCRIPTION	DATE	APPROVED
ECN-2210-0226	E2	REVISE METER ACCURACY AND ATTRIBUTES CONTENT	2022/10/08	LRF
	E1	INITIAL DRAFT REVIEW	2022/05/13	LRF

REVISIONS		PART NO:	REV.
TITLE:		RP1325WXYZ_DA	E2
PROJECT:		DRAWN BY:	LRF
Advantage Series Metered		ENGINEER:	LJB
RackPower		APPROVED BY:	Hanson
UNLESS NOTED, DIMENSIONS ARE IN MILLIMETERS & TOLERANCES ARE:		SCALE: N/A	SHEET 2 OF 3
X: ±1 MM X*: ±1"			SIZE: A3
X.X: ±0.5 MM X.X*: ±0.5"			
X.XX: ±0.20 MM			
ØX.X: ±0.3 MM			
ØX.XX: ±0.10 MM			
BRACKETED DIMENSIONS ARE IN INCHES FOR REFERENCE ONLY			
⊕ THRD ANGLE PROJECTION			
INTERPRET PER ASME Y14.5M-1994			

- NOTES:**
- INSTALLATION SHALL COMPLY WITH ALL APPLICABLE NATIONAL, STATE AND LOCAL CODES.
 - SEE PRODUCT DOCUMENTATION FOR FURTHER INFORMATION

nvent | SCHROFF
RackPower Distribution Unit
 Metered
 Made In XXXXX

SKU #: RP1325WXYZ
 Model #: EP11032-0029
 INPUT: 200-240VAC, 1PHASE, 50/60Hz, 32A
 OUTPUT: C13; 200-240VAC, 10A per outlet
 C19; 200-240VAC, 16A per outlet
 32A Total

MAC0 Address: XX-XX-XX-XX-XX-XX
 MAC1 Address: XX-XX-XX-XX-XX-XX

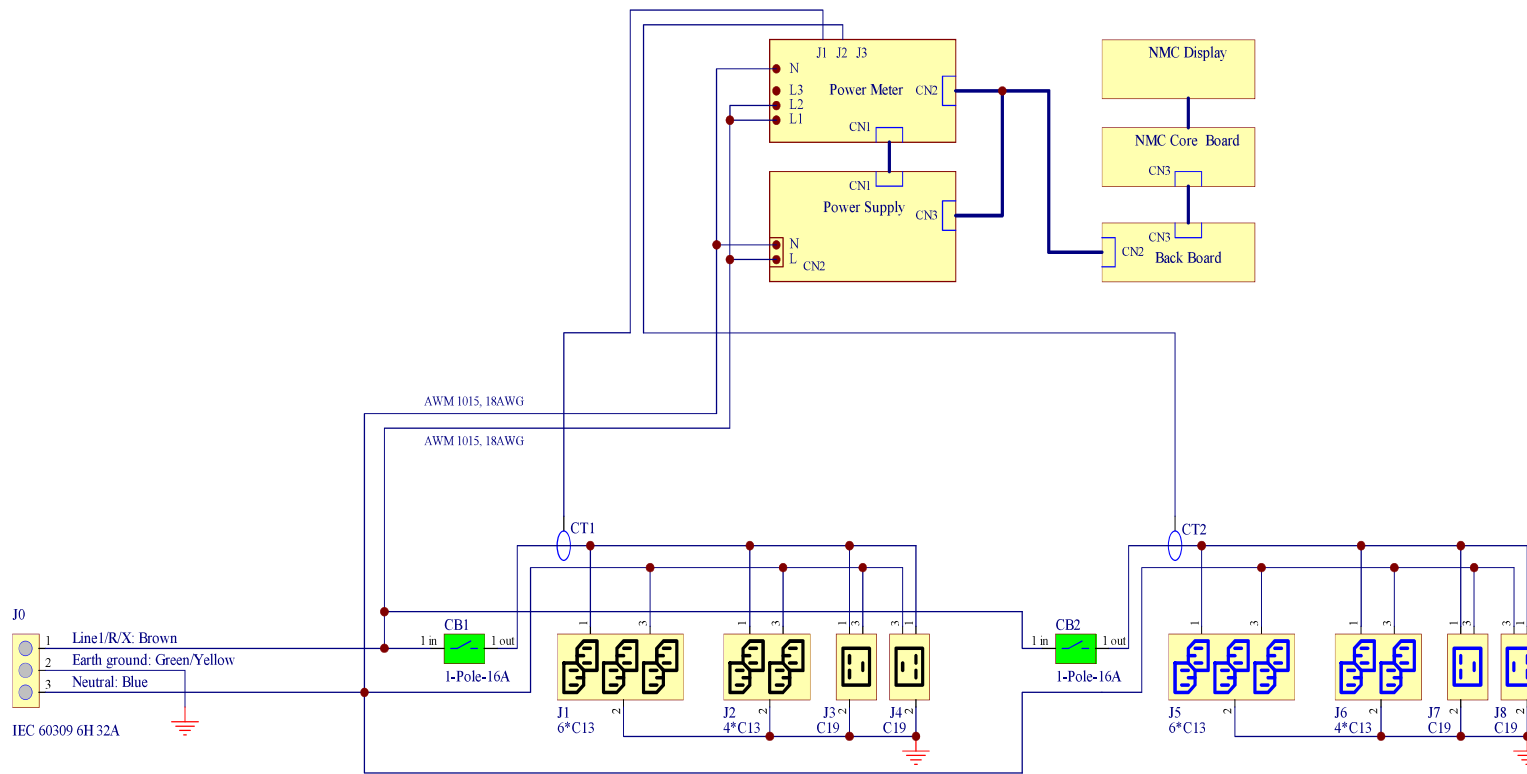
Mfr. Name: XXXXXXXXXXXXXXXXXXXXXXXXXX

CE UKCA 50 D

SKU#
 RP1325WXYZ
 Serial Number
 XXXXXXXX
 PRODUCT CODE
 XXXXXX

- NOTES:
- INTERNAL WIRING:
 WIRE TYPE: UL AWM 1015, 12 & 18AWG
 LINE 1/R/X COLOR: BROWN
 EARTH GROUND COLOR: GREEN/YELLOW STRIPE
 NEUTRAL WIRE COLOR: BLUE
 - FOR FINISHED GOOD PART NUMBER SEE IDENTIFICATION

COMPLIANCE LABEL



INTERNAL WIRING SCHEMATIC

ECN-2210-0226	E2	REVISE METER ACCURACY AND ATTRIBUTES CONTENT	2022/10/08	LRF
	E1	INITIAL DRAFT REVIEW	2022/05/13	LRF
ECN/ECO	REV.	DESCRIPTION	DATE	APPROVED

- NOTES:
- INSTALLATION SHALL COMPLY WITH ALL APPLICABLE NATIONAL, STATE AND LOCAL CODES.
 - SEE PRODUCT DOCUMENTATION FOR FURTHER INFORMATION
 - THIS DRAWING DEPICTS THE POWER SYSTEM CONNECTIONS AND IS NOT REPRESENTATIVE OF THE PHYSICAL LAYOUT. PLEASE REFER TO MECHANICAL DRAWINGS FOR PHYSICAL LAYOUT.

nvent | SCHROFF

THIS DRAWING AND SPECIFICATIONS HEREIN ARE THE PROPERTY OF CIS GLOBAL AND SHALL NOT BE COPIED, REPRODUCED OR USED IN WHOLE OR IN PART, AS THE BASIS FOR THE MANUFACTURE OR SALE OF ITEMS WITHOUT WRITTEN PERMISSION FROM CIS GLOBAL. THIS DRAWING IS BASED UPON LATEST AVAILABLE INFORMATION AND IS SUBJECT TO CHANGE WITHOUT NOTICE

TITLE: Advantage Series Metered	UNLESS NOTED, DIMENSIONS ARE IN MILLIMETERS & TOLERANCES ARE: X: ±1 MM X*: ±1° X.X ±0.5 MM X.X*: ±0.5° X.XX ±0.20 MM ØX.X ±0.3 MM ØX.XX ±0.10 MM	PART NO: RP1325WXYZ_DA	REV. E2
	BRACKETED DIMENSIONS ARE IN INCHES FOR REFERENCE ONLY THIRD ANGLE PROJECTION INTERPRET PER ASME Y14.5M-1994	SCALE: N/A	SHEET 3 OF 3
PROJECT: RackPower		ENGINEER: LJB	DATE: 2022/10/08
		APPROVED BY: Hanson	