

TECHNICAL SPECIFICATIONS	
UNIT TYPE:	MONITORED INPUT
ORIENTATION:	VERTICAL, 0U MID
OUTLET QTY & TYPE:	(2)C13, (4)C19
INPUT VOLTAGE:	100-240VAC
INPUT CURRENT:	16A
BREAKER QTY & TYPE:	N/A
INPUT PHASE:	SINGLE-PHASE
RATED POWER:	3.7kVA
INPUT PLUG:	SEE NOTE 7
INPUT POWER CORD:	SEE IDENTIFICATION TABLE
FEATURES	
METERING ACCURACY	+/-1% TO ISO/ IEC 62052-21
METERING ATTRIBUTES	VOLTAGE(V), CURRENT(A), APPARENT POWER(kVA), REAL POWER(kW), POWER FACTOR, ENERGY(kWh)
METERED COMPONENTS	INPUT(PHASE)
REMOTE OUTLET SWITCHING	N/A
ENVIRONMENTAL CONDITIONS	
OPERATING TEMPERATURE	-5 TO 60 C (23 TO 140 F)
STORAGE TEMPERATURE	-20 TO 60 C (-4 TO 140 F)
HUMIDITY (OPERATING/STORAGE)	5-90% RH / 5-95% RH; NON-CONDENSING
MAX OPERATING ELEVATION, ABOVE MSL	3000M(9840FT)
COMPLIANCE	
SAFETY&ENVIRONMENTAL	RoHS COMPLIANT

IDENTIFICATION TABLE	RP 1326A	*	*	*	*
		INPUT PLUG	CHASSIS COLOR	CORD OPTION	ORIENTATION
MODEL IS SHOWN IN DEFAULT CONFIGURATION. FOR OPTIONAL CONFIGURATIONS, USE ITEM IDENTIFIER CODE IN PLACE OF EACH ASTERISK. ORDERABLE BASED ON FORMAT: RP1326A**** DO NOT INCLUDE TRAILING ZEROS IN **** SUFFIX		(DEFAULT ) 316P6(IP44)&L6-20P=0	(DEFAULT) BLACK = 0 BLUE = B RED = R WHITE = W GREEN = G YELLOW = Y	(DEFAULT) 3m [10"] = 0 1m [3.2"] = 1 2m [6.6"] = 2	(DEFAULT) TOP FEED = 0 BOTTOM FEED = 2
OPTIONS LISTED ON THIS ROW ARE NON STANDARD, CONTACT SALES FOR ADDITIONAL INFORMATION			ORANGE = A	0.5m [1.6"] = A 1.2m [4"] = G 1.5m [4.9"] = B 1.8m [6"] = F 2.5m [8.2"] = C	

- NOTES :**
- INSTALLATION SHALL COMPLY WITH ALL APPLICABLE NATIONAL, STATE AND LOCAL CODES.
  - PRIMARY DIMENSIONS ARE IN MILLIMETERS. SECONDARY DIMENSIONS ARE IN [INCHES]
  - UNIVERSAL MOUNTING BRACKET IS AN ALTERNATIVE MOUNTING METHOD TO THE TOOLESS MOUNT FOR 3RD PARTY ENCLOSURES. BRACKET IS PROVIDED WITH THE UNIT.
  - DETAILED INSTALLATION INSTRUCTIONS CAN BE FOUND IN THE QUICK START GUIDE
  - CONNECT EXTERNAL EARTH GROUND TO THE 10-32 SIZE THREADED NUT
  - SEE PRODUCT DOCUMENTATION FOR FURTHER INFORMATION
  - INPUT PLUG CONFIGURATION (SEE IDENTIFICATION TABLE) FOR DUAL-RATED UNITS, NEMA PLUGS ARE NAM RATED ONLY AND CAPTIVE AUS/NZ PLUGS ARE EMEA RATED ONLY

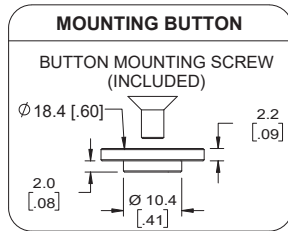
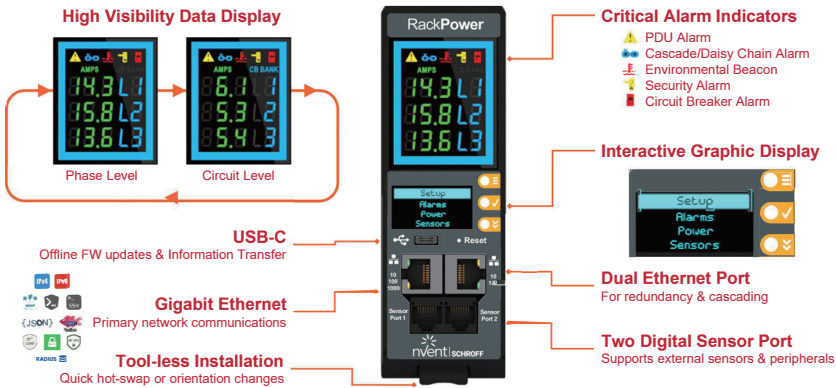
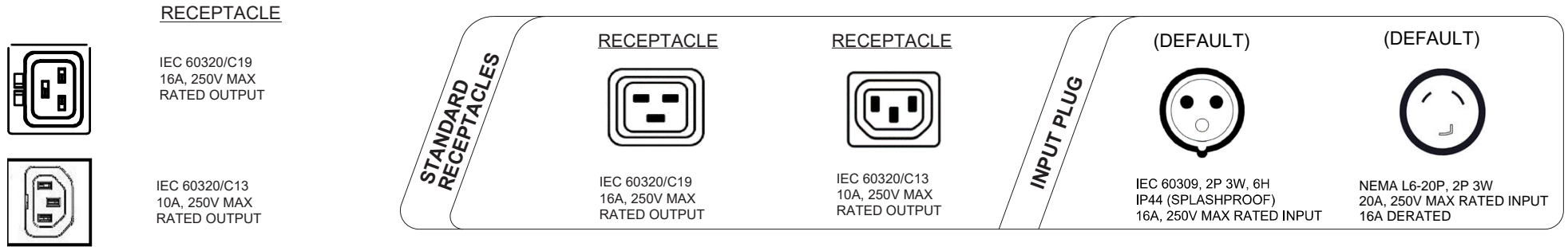
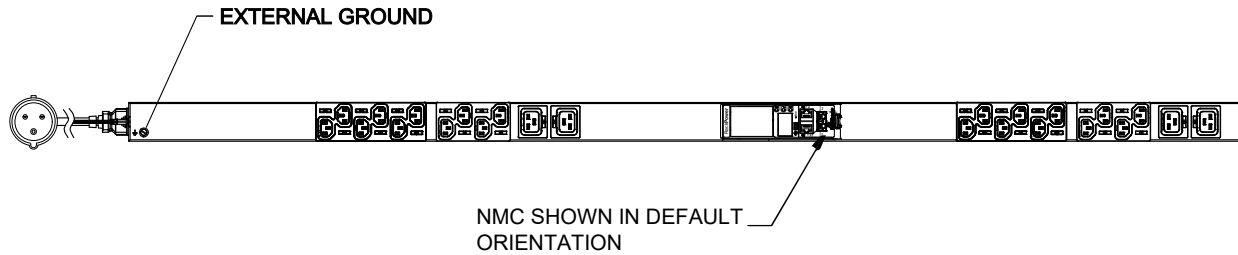
**nvent | SCHROFF**

THIS DRAWING AND SPECIFICATIONS HEREIN ARE THE PROPERTY OF CIS GLOBAL AND SHALL NOT BE COPIED, REPRODUCED OR USED IN WHOLE OR IN PART, AS THE BASIS FOR THE MANUFACTURE OR SALE OF ITEMS WITHOUT WRITTEN PERMISSION FROM CIS GLOBAL. THIS DRAWING IS BASED UPON LATEST AVAILABLE INFORMATION AND IS SUBJECT TO CHANGE WITHOUT NOTICE

ECN/ECO	REV.	DESCRIPTION	DATE	APPROVED
ECN-2210-0226	E2	REVISE METER ACCURACY AND ATTRIBUTES CONTENT	2022/10/08	LRF
	E1	INITIAL DRAFT REVIEW	2022/05/13	LRF

TITLE:	UNLESS NOTED, DIMENSIONS ARE IN MILLIMETERS & TOLERANCES ARE:	PART NO:	REV.
Advantage Series Metered	X: ±1 MM X*: ±1" X.X ±0.5 MM X.X*: ±0.5" X.XX ±0.2 MM X.XX*: ±0.5" ØX.X ±0.3 MM ØX.XX ±0.10 MM	RP1326WXYZ_DA	E2
PROJECT: RackPower	BRACKETED DIMENSIONS ARE IN INCHES FOR REFERENCE ONLY ⊙ THIRD ANGLE PROJECTION INTERPRET PER ASME Y14.5M-1994	DRAWN BY: LRF ENGINEER: LJB APPROVED BY: Hanson	2022/05/13 2022/10/08 2022/10/08
		SCALE: N/A	SHEET 1 OF 3 A3



**NOTES:**

- INSTALLATION SHALL COMPLY WITH ALL APPLICABLE NATIONAL, STATE AND LOCAL CODES.
- SEE PRODUCT DOCUMENTATION FOR FURTHER INFORMATION

**nvent | SCHROFF**

THIS DRAWING AND SPECIFICATIONS HEREIN ARE THE PROPERTY OF CIS GLOBAL AND SHALL NOT BE COPIED, REPRODUCED OR USED IN WHOLE OR IN PART, AS THE BASIS FOR THE MANUFACTURE OR SALE OF ITEMS WITHOUT WRITTEN PERMISSION FROM CIS GLOBAL. THIS DRAWING IS BASED UPON LATEST AVAILABLE INFORMATION AND IS SUBJECT TO CHANGE WITHOUT NOTICE

ECN-2210-0226	E2	REVISE METER ACCURACY AND ATTRIBUTES CONTENT	2022/10/08	LRF
	E1	INITIAL DRAFT REVIEW	2022/05/13	LRF
ECN/ECO	REV.	DESCRIPTION	DATE	APPROVED
REVISIONS				
<b>TITLE:</b>		UNLESS NOTED, DIMENSIONS ARE IN MILLIMETERS & TOLERANCES ARE:	<b>PART NO:</b>	
Advantage Series Metered		X: ±1 MM	RP1326WXYZ_DA	
		X.X: ±0.5 MM	REV. E1	
PROJECT: RackPower		X.XX: ±0.20 MM	DRAWN BY: LRF	
		Ø X.X: ±0.3 MM	ENGINEER: LJB	
		Ø X.XX: ±0.10 MM	APPROVED BY: Hanson	
		BRACKETED DIMENSIONS ARE IN INCHES FOR REFERENCE ONLY	SCALE: N/A	
		THIRD ANGLE PROJECTION	SHEET 2 OF 3	
		INTERPRET PER ASME Y14.5M-1994	SIZE: A3	

**nvent | SCHROFF**  
**SKU #: RP1326WXYZ**  
**Model #: EP15016-0013**  
**INPUT: 100-240VAC, 1PHASE, 50/60Hz, 16A**  
**OUTPUT: C13; 100-240VAC, 10A per outlet**  
**C19; 100-240VAC, 16A per outlet**  
**16A Total**

**MAC0 Address: XX-XX-XX-XX-XX-XX**  
**MAC1 Address: XX-XX-XX-XX-XX-XX**

**Metered**

**THIS DEVICE COMPLIES WITH PART 15 OF THE FCC RULES. OPERATION IS SUBJECT TO THE FOLLOWING TWO CONDITIONS: (1) THIS DEVICE MAY NOT CAUSE HARMFUL INTERFERENCE, AND (2) THIS DEVICE MUST ACCEPT ANY INTERFERENCE RECEIVED, INCLUDING INTERFERENCE THAT MAY CAUSE UNDESIRE OPERATION. CAN ICES-3(A)/NMB-3(A)**

**CE UK CA** **FC** **UL US** **LISTED I.T.E. E342720**

**SKU#**  
**RP1326WXYZ**

**Serial Number**  
 XXXXXXXX  
**PRODUCT CODE**  
 XXXXX

**Mfr. Name: XXXXXXXXXXXXXXXXXXXXXXXXXX**

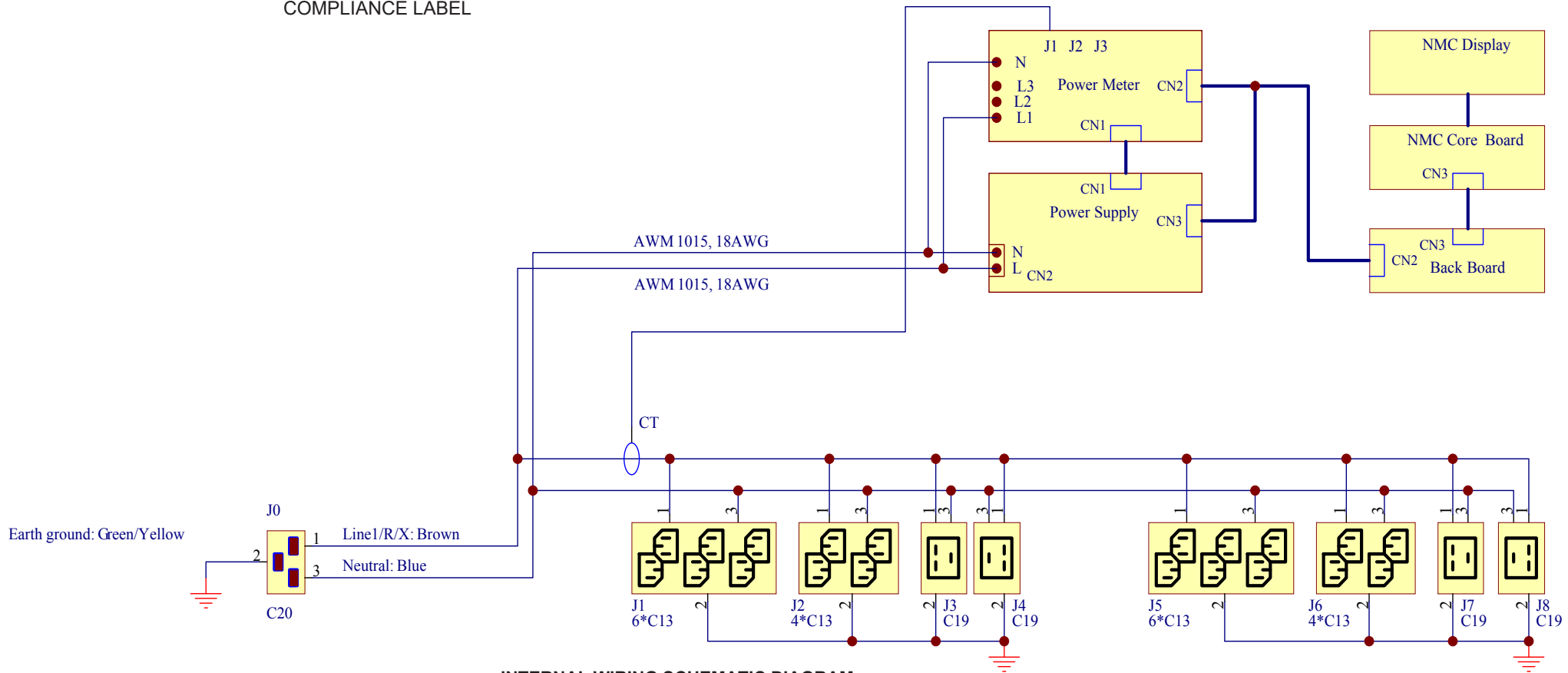
**NOTES:**

**1. INTERNAL WIRING:**

**WIRE TYPE:** AWM 1015, 12 & 18AWG  
**LINE 1/R/X COLOR:** BROWN  
**EARTH GROUND COLOR:** GREEN/YELLOW STRIPE  
**NEUTRAL WIRE COLOR:** BLUE

**2. FOR FINISHED GOOD PART NUMBER & DESCRIPTION**

**COMPLIANCE LABEL**



**INTERNAL WIRING SCHEMATIC DIAGRAM**

- NOTES:**
- INSTALLATION SHALL COMPLY WITH ALL APPLICABLE NATIONAL, STATE AND LOCAL CODES.
  - SEE PRODUCT DOCUMENTATION FOR FURTHER INFORMATION
  - THIS DRAWING DEPICTS THE POWER SYSTEM CONNECTIONS AND IS NOT REPRESENTATIVE OF THE PHYSICAL LAYOUT. PLEASE REFER TO MECHANICAL DRAWINGS FOR PHYSICAL LAYOUT.

**nvent | SCHROFF**

THIS DRAWING AND SPECIFICATIONS HEREIN ARE THE PROPERTY OF CIS GLOBAL AND SHALL NOT BE COPIED, REPRODUCED OR USED IN WHOLE OR IN PART, AS THE BASIS FOR THE MANUFACTURE OR SALE OF ITEMS WITHOUT WRITTEN PERMISSION FROM CIS GLOBAL. THIS DRAWING IS BASED UPON LATEST AVAILABLE INFORMATION AND IS SUBJECT TO CHANGE WITHOUT NOTICE

ECN-2210-0226	E2	REVISE METER ACCURACY AND ATTRIBUTES CONTENT	2022/10/08	LRF
	E1	INITIAL DRAFT REVIEW	2022/05/13	LRF
ECN/ECO	REV.	DESCRIPTION	DATE	APPROVED

REVISIONS				
<b>TITLE:</b>	Advantage Series Metered		<b>PART NO:</b>	RP13G6WXYZ_DA
<b>PROJECT:</b>	RackPower		<b>REV.:</b>	E2
UNLESS NOTED, DIMENSIONS ARE IN MILLIMETERS & TOLERANCES ARE:		DRAWN BY: LRF		
X: ±1 MM		ENGINEER: LJB		
X.X: ±0.5 MM		APPROVED BY: Hanson		
X.XX: ±0.20 MM		SCALE: N/A		
X.XXX: ±0.3 MM		SHEET 3 OF 3		
Ø X.X: ±0.3 MM		SIZE: A3		
Ø X.XX: ±0.10 MM		INTERPRET PER ASME Y14.5M-1994		