

20 AMP, SINGLE-POLE ELECTRO MECHANICAL SWITCH / BREAKER (2) PLACES

EXTERNAL GROUND

NMC SHOWN IN DEFAULT ORIENTATION

RECEPTACLE



NEMA 5 - 20R
16A, 125V MAX
RATED OUTPUT

RECEPTACLE



NEMA 5 - 20R
16A, 125V MAX
RATED OUTPUT

RECEPTACLE

INPUT PLUG

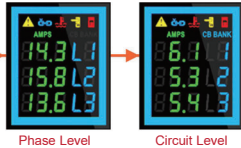
(DEFAULT)



NEMA L5-30P, 2P 3W
30A, 125V MAX RATED INPUT
24A DERATED

OPTIONAL

High Visibility Data Display



Critical Alarm Indicators

- ▲ PDU Alarm
- ◆ Cascade/Daisy Chain Alarm
- ⚠ Environmental Beacon
- 🚒 Security Alarm
- 🔴 Circuit Breaker Alarm

Interactive Graphic Display

USB-C

Offline FW updates & Information Transfer

Gigabit Ethernet

Primary network communications

Tool-less Installation

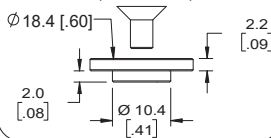
Quick hot-swap or orientation changes

Dual Ethernet Port
For redundancy & cascading

Two Digital Sensor Port
Supports external sensors & peripherals

MOUNTING BUTTON

BUTTON MOUNTING SCREW (INCLUDED)



ECN/ECO	REV.	DESCRIPTION	DATE	APPROVED
ECN-2210-0226	E4	REVISE METER ACCURACY AND ATTRIBUTES CONTENT	2022/10/08	LRF
ECN-2208-0175	E3	CB LABEL UPDATE	2022/08/04	Leo
ECN-2207-0153	E2	OUTLET 'S COLOR UPDATE : BLUE -->DARK GRAY	2022/07/04	LRF
---	E1	INITIAL DRAFT REVIEW	2022/05/13	LRF
ECN/ECO	REV.	DESCRIPTION	DATE	APPROVED

REVISIONS

TITLE: Advantage Series Metered	UNLESS NOTED, DIMENSIONS ARE IN MILLIMETERS & TOLERANCES ARE: X. ±1 MM X* ±1" X.X ±0.5 MM X.X* ±0.5" X.XX ±0.20 MM ØX.X ±0.3 MM ØX.XX ±0.10 MM	PART NO: RP1327WXYZ_DA	REV. E4
		DRAWN BY: LRF 2022/05/13	REV. 2022/05/13
PROJECT: RackPower	BRACKETED DIMENSIONS ARE IN INCHES FOR REFERENCE ONLY THIRD ANGLE PROJECTION INTERPRET PER ASME Y14.5M-1994	ENGINEER: LJB 2022/10/08	SHEET 2 OF 3
		APPROVED BY: Hanson 2022/10/08	SCALE: N/A SIZE: A3

NOTES:
 1. INSTALLATION SHALL COMPLY WITH ALL APPLICABLE NATIONAL, STATE AND LOCAL CODES.
 2. SEE PRODUCT DOCUMENTATION FOR FURTHER INFORMATION

THIS DRAWING AND SPECIFICATIONS HEREIN ARE THE PROPERTY OF CIS GLOBAL AND SHALL NOT BE COPIED, REPRODUCED OR USED IN WHOLE OR IN PART, AS THE BASIS FOR THE MANUFACTURE OR SALE OF ITEMS WITHOUT WRITTEN PERMISSION FROM CIS GLOBAL. THIS DRAWING IS BASED UPON LATEST AVAILABLE INFORMATION AND IS SUBJECT TO CHANGE WITHOUT NOTICE



nvent | SCHROFF RackPower Distribution Unit **Made In XXXXX (Factory ID: X)**

Metered

SKU #: RP1327WXYZ
Model #: EP13024-0024
INPUT: 100-120VAC, 1PHASE, 50/60Hz, 24A
OUTPUT: C5-20R; 100-120VAC, 16A per outlet
24A Total

MAC0 Address: XX-XX-XX-XX-XX-XX
MAC1 Address: XX-XX-XX-XX-XX-XX

THIS DEVICE COMPLIES WITH PART 15 OF THE FCC RULES. OPERATION IS SUBJECT TO THE FOLLOWING TWO CONDITIONS:
(1) THIS DEVICE MAY NOT CAUSE HARMFUL INTERFERENCE, AND (2) THIS DEVICE MUST ACCEPT ANY INTERFERENCE RECEIVED, INCLUDING INTERFERENCE THAT MAY CAUSE UNDESIRE OPERATION.
CAN ICES-3(A)/NMB-3(A)

UL LISTED I.T.E. E342720

FC

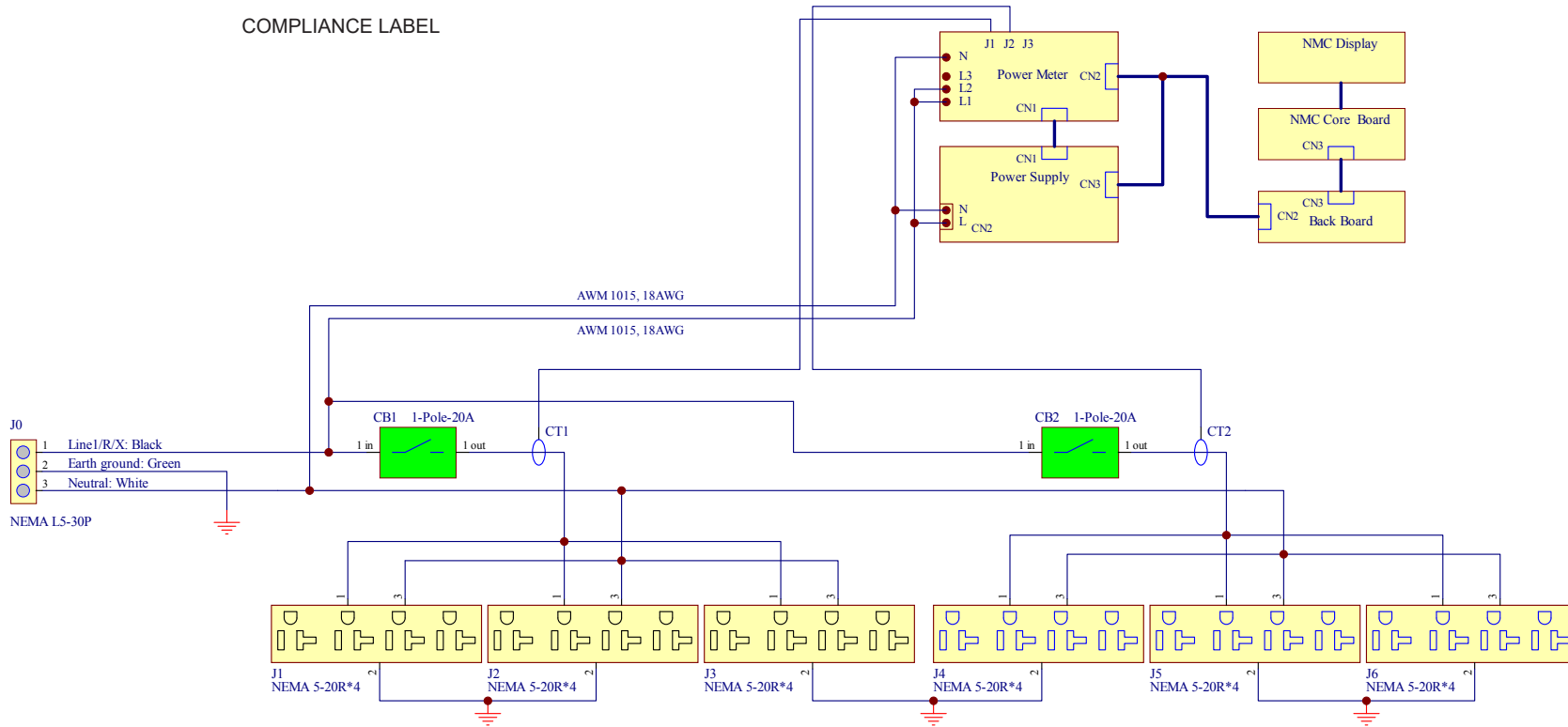
50

SKU# RP1327WXYZ
Serial Number XXXXXXXX
PRODUCT CODE XXXXXX

Mfr.Name:XXXXXXXXXXXXXXXXXXXXXXXXXXXX

- NOTES:
- INTERNAL WIRING:
 - WIRE TYPE: UL AWM 1015, 12 & 18AWG
 - LINE 1/R/X COLOR: BLACK
 - EARTH GROUND COLOR: GREEN/YELLOW STRIPE
 - NEUTRAL WIRE COLOR: WHITE
 - FOR FINISHED GOOD PART NUMBER SEE IDENTIFICATION

COMPLIANCE LABEL



INTERNAL WIRING SCHEMATIC

- NOTES:
- INSTALLATION SHALL COMPLY WITH ALL APPLICABLE NATIONAL, STATE AND LOCAL CODES.
 - SEE PRODUCT DOCUMENTATION FOR FURTHER INFORMATION
 - THIS DRAWING DEPICTS THE POWER SYSTEM CONNECTIONS AND IS NOT REPRESENTATIVE OF THE PHYSICAL LAYOUT. PLEASE REFER TO MECHANICAL DRAWINGS FOR PHYSICAL LAYOUT.

nvent | SCHROFF

THIS DRAWING AND SPECIFICATIONS HEREIN ARE THE PROPERTY OF CIS GLOBAL AND SHALL NOT BE COPIED, REPRODUCED OR USED IN WHOLE OR IN PART, AS THE BASIS FOR THE MANUFACTURE OR SALE OF ITEMS WITHOUT WRITTEN PERMISSION FROM CIS GLOBAL. THIS DRAWING IS BASED UPON LATEST AVAILABLE INFORMATION AND IS SUBJECT TO CHANGE WITHOUT NOTICE

ECN/ECO	REV.	DESCRIPTION	DATE	APPROVED
ECN-2210-0226	E4	REVISE METER ACCURACY AND ATTRIBUTES CONTENT	2022/10/08	LRF
ECN-2208-0175	E3	CB LABEL UPDATE	2022/08/04	Leo
ECN-2207-0153	E2	OUTLET 'S COLOR UPDATE : BLUE -->DARK GRAY	2022/07/04	LRF
---	E1	INITIAL DRAFT REVIEW	2022/05/13	LRF
ECN/ECO	REV.	DESCRIPTION	DATE	APPROVED

REVISIONS

TITLE: Advantage Series Metered PROJECT: RackPower	UNLESS NOTED, DIMENSIONS ARE IN MILLIMETERS & TOLERANCES ARE: X: ±1 MM X°: ±1° X.X ±0.5 MM X.X° ±0.5° X.XX ±0.20 MM ØX.X ±0.3 MM ØX.XX ±0.10 MM	PART NO: RP13G7WXYZ_DA REV.: E4
	DRAWN BY: LRF ENGINEER: LJB APPROVED BY: Hanson	2022/05/13 2022/10/08 2022/10/08
	BRACKETED DIMENSIONS ARE IN INCHES FOR REFERENCE ONLY THRID ANGLE PROJECTION INTERPRET PER ASME Y14.5M-1994	SCALE: N/A SHEET 3 OF 3 SIZE: A3