

TECHNICAL SPECIFICATIONS	
UNIT TYPE:	MONITORED INPUT
ORIENTATION:	VERTICAL, 0U FULL
OUTLET QTY & TYPE:	(21)C13/C15,(21)C13/C15/C19
INPUT VOLTAGE:	200-240/346-415VAC
INPUT CURRENT:	20A(DERATED 16A)(NAM) /16A(EU)
BREAKER QTY & TYPE:	N/A
INPUT PHASE:	THREE-PHASE, WYE
RATED POWER:	DUAL- RATED 11.5kVA (NAM) /11kVA (EU)
INPUT PLUG:	SEE NOTE 7
INPUT POWER CORD:	SEE IDENTIFICATION TABLE
FEATURES	
METERING ACCURACY	+/-1% TO ISO/ IEC 62052-21
METERING ATTRIBUTES	VOLTAGE(V), CURRENT(A), APPARENT POWER(kVA), REAL POWER(kW), POWER FACTOR, ENERGY(kWh)
METERED COMPONENTS	INPUT(PHASE)
REMOTE OUTLET SWITCHING	N/A
ENVIRONMENTAL CONDITIONS	
OPERATING TEMPERATURE	-5 TO 60 C (23 TO 140 F)
STORAGE TEMPERATURE	-20 TO 60 C (-4 TO 140 F)
HUMIDITY (OPERATING/STORAGE)	5-90% RH / 5-95% RH; NON-CONDENSING
MAX OPERATING ELEVATION, ABOVE MSL	3000M(9840FT)
COMPLIANCE	
SAFETY&ENVIRONMENTAL	RoHS COMPLIANT

IDENTIFICATION TABLE	RP 1450	*	*	*	*
MODEL IS SHOWN IN DEFAULT CONFIGURATION. FOR OPTIONAL CONFIGURATIONS, USE ITEM IDENTIFIER CODE IN PLACE OF EACH ASTERISK. ORDERABLE BASED ON FORMAT: RP1450 **** DO NOT INCLUDE TRAILING ZEROS IN **** SUFFIX	INPUT PLUG	CHASSIS COLOR	CORD OPTION	ORIENTATION	
	(DEFAULT) 520P6 (IP44) = 0 520P6 (IP67) = Q	(DEFAULT) BLACK = 0 BLUE = B RED = R WHITE = W GREEN = G YELLOW = Y	(DEFAULT) 1.8m [6'] = 0 1m [3.2'] = 1 2m [6.6'] = 2 3m [10'] = 3	(DEFAULT) TOP FEED = 0 BOTTOM FEED = 2	
OPTIONS LISTED ON THIS ROW ARE NON STANDARD, CONTACT SALES FOR ADDITIONAL INFORMATION		ORANGE = A	0.5m [1.6'] = A 1.2m [4'] = G 1.5m [4.9'] = B 1.8m [6'] = F 2.5m [8.2'] = C		

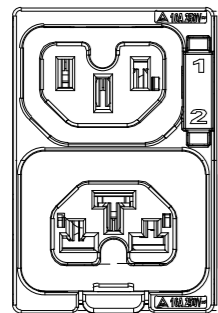
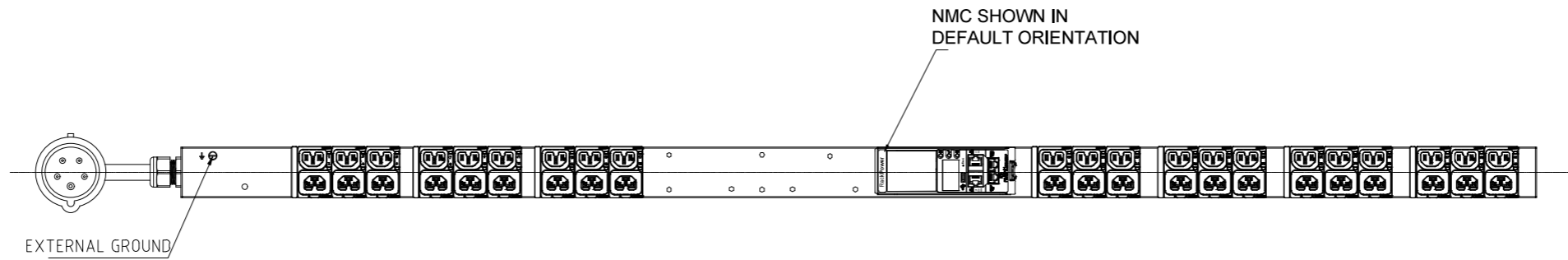
- NOTES :
- INSTALLATION SHALL COMPLY WITH ALL APPLICABLE NATIONAL, STATE AND LOCAL CODES.
 - PRIMARY DIMENSIONS ARE IN MILLIMETERS. SECONDARY DIMENSIONS ARE IN [INCHES]
 - UNIVERSAL MOUNTING BRACKET IS AN ALTERNATIVE MOUNTING METHOD TO THE TOOLLESS MOUNT FOR 3RD PARTY ENCLOSURES. BRACKET IS PROVIDED WITH THE UNIT.
 - DETAILED INSTALLATION INSTRUCTIONS CAN BE FOUND IN THE QUICK START GUIDE
 - CONNECT EXTERNAL EARTH GROUND TO THE 10-32 SIZE THREADED NUT
 - SEE PRODUCT DOCUMENTATION FOR FURTHER INFORMATION
 - INPUT PLUG CONFIGURATION (SEE IDENTIFICATION TABLE) FOR DUAL-RATED UNITS, NEMA PLUGS ARE NAM RATED ONLY AND CAPTIVE AUS/NZ PLUGS ARE EMEA RATED ONLY

nvent | SCHROFF

THIS DRAWING AND SPECIFICATIONS HEREIN ARE THE PROPERTY OF CIS GLOBAL AND SHALL NOT BE COPIED, REPRODUCED OR USED IN WHOLE OR IN PART, AS THE BASIS FOR THE MANUFACTURE OR SALE OF ITEMS WITHOUT WRITTEN PERMISSION FROM CIS GLOBAL. THIS DRAWING IS BASED UPON LATEST AVAILABLE INFORMATION AND IS SUBJECT TO CHANGE WITHOUT NOTICE

ECN/ECO	REV.	DESCRIPTION	DATE	APPROVED
ECN-2210-0226	E2	REVISE METER ACCURACY AND ATTRIBUTES CONTENT	2022/10/08	LRF
	E1	INITIAL DRAFT REVIEW	2022/04/21	LRF

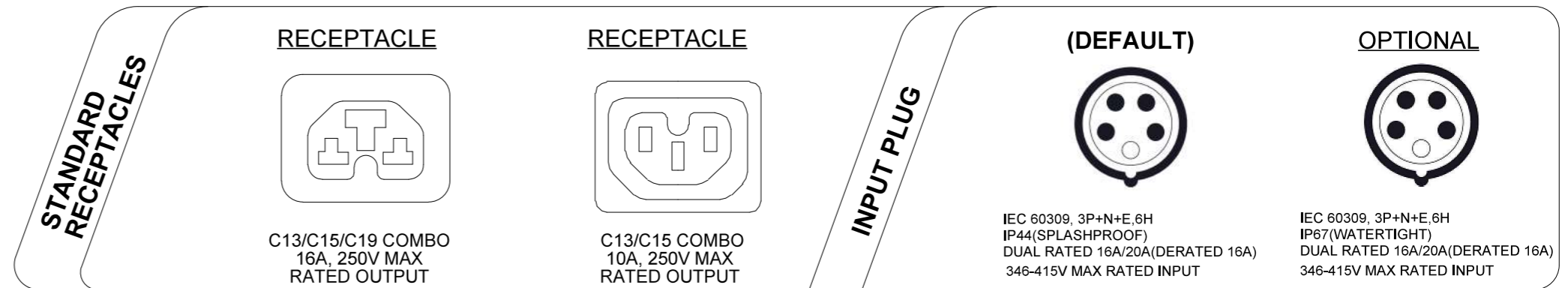
TITLE :		UNLESS NOTED, DIMENSIONS ARE IN MILLIMETERS & TOLERANCES ARE:		PART NO:	REV.
Advantage Series Metered		X	±1 MM	RP1450WXYZ_DA	E2
		X.X	±0.5 MM	DRAWN BY: LRF	2022/04/21
PROJECT : RackPower		X	±0.20 MM	ENGINEER: LJB	2022/10/08
		Ø X.X	±0.3 MM	APPROVED BY: Hanson	2022/10/08
		Ø X.XX	±0.10 MM	SCALE : N/A	SHEET 1 OF 3
		BRACKETED DIMENSIONS ARE IN INCHES FOR REFERENCE ONLY		SIZE: A3	
		⊕ THRID ANGLE PROJECTION			
		INTERPRET PER ASME Y14.5M-1994			



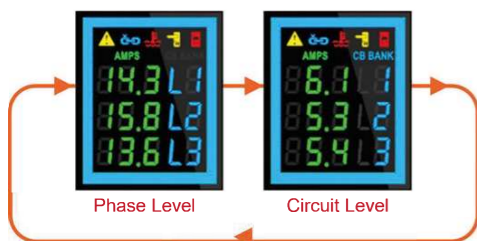
RECEPTACLE

C13/C15 COMBO
10A, 250V MAX
RATED OUTPUT

C13/C15/C19 COMBO
16A, 250V MAX
RATED OUTPUT



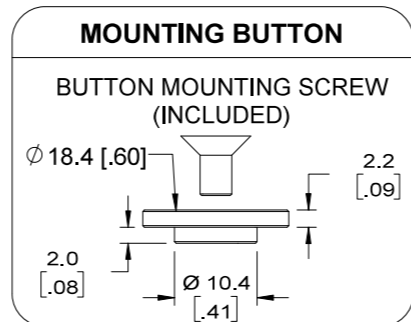
High Visibility Data Display



Critical Alarm Indicators

- ▲ PDU Alarm
- ⚡ Cascade/Daisy Chain Alarm
- 📡 Environmental Beacon
- 🚒 Security Alarm
- 🔴 Circuit Breaker Alarm

Interactive Graphic Display



USB-C
Offline FW updates & Information Transfer

Gigabit Ethernet
Primary network communications

Tool-less Installation
Quick hot-swap or orientation changes



Dual Ethernet Port
For redundancy & cascading

Two Digital Sensor Port
Supports external sensors & peripherals

ECN-2210-0226	E2	REVISE METER ACCURACY AND ATTRIBUTES CONTENT	2022/10/08	LRF
	E1	INITIAL DRAFT REVIEW	2022/04/21	LRF
ECN/ECO	REV.	DESCRIPTION	DATE	APPROVED

REVISIONS				
TITLE:	UNLESS NOTED, DIMENSIONS ARE IN MILLIMETERS & TOLERANCES ARE:	PART NO:	REV.	
Advantage Series Metered	X. ±1 MM X° ±1° X.X ±0.5 MM X.X° ±0.5° X.XX ±0.20 MM ØX.X ±0.3 MM ØX.XX ±0.10 MM BRACKETED DIMENSIONS ARE IN INCHES FOR REFERENCE ONLY THRID ANGLE PROJECTION INTERPRET PER ASME Y14.5M-1994	RP1450WXYZ_DA	E2	
		DRAWN BY: LRF	2022/04/21	
		ENGINEER: LJB	2022/10/08	
		APPROVED BY: Hanson	2022/10/08	
PROJECT: RackPower		SCALE: N/A	SHEET 2 OF 3	SIZE: A3

- NOTES:**
- INSTALLATION SHALL COMPLY WITH ALL APPLICABLE NATIONAL, STATE AND LOCAL CODES.
 - SEE PRODUCT DOCUMENTATION FOR FURTHER INFORMATION

nvent | SCHROFF

THIS DRAWING AND SPECIFICATIONS HEREIN ARE THE PROPERTY OF CIS GLOBAL AND SHALL NOT BE COPIED, REPRODUCED OR USED IN WHOLE OR IN PART, AS THE BASIS FOR THE MANUFACTURE OR SALE OF ITEMS WITHOUT WRITTEN PERMISSION FROM CIS GLOBAL. THIS DRAWING IS BASED UPON LATEST AVAILABLE INFORMATION AND IS SUBJECT TO CHANGE WITHOUT NOTICE

nvent | SCHROFF RackPower Distribution Unit Metered

SKU #: RP1450WXYZ
 Model #: EP112016-0061-C(NA)/EP112016-0061-C(EU)
 INPUT: 200-240/346-415VAC, WYE, 3PHASE, 50/60Hz, 16A(NA), OR 200-240/346-415VAC, WYE, 3PHASE, 50/60Hz, 16A(EU)
 OUTPUT: C13/C15 COMBO; 200-240VAC, 10A per outlet
 C13/C15/C19 COMBO; 200-240VAC, 16A max per outlet
 16A Total(NA) OR 16A Total(EU)

MAC0 Address:XX-XX-XX-XX-XX
 MAC1 Address:XX-XX-XX-XX-XX

Made In XXXXX
 nVent Electric plc
 1665 Utica Ave, Suite 700
 Minneapolis, MN 55416

CE UK CA nVent Electric plc 1665 Utica Ave, Suite 700 Minneapolis, MN 55416

SKU#: RP1450WXYZ
 Serial Number: XXXXXXXX
 PRODUCT CODE: XXXXX

THIS DEVICE COMPLIES WITH PART 15 OF THE FCC RULES. OPERATION IS SUBJECT TO THE FOLLOWING TWO CONDITIONS:
 (1) THIS DEVICE MAY NOT CAUSE HARMFUL INTERFERENCE, AND (2) THIS DEVICE MUST ACCEPT ANY INTERFERENCE RECEIVED, INCLUDING INTERFERENCE THAT MAY CAUSE UNDESIRABLE OPERATION. CAN ICES-3(A)/NMB-3(A)

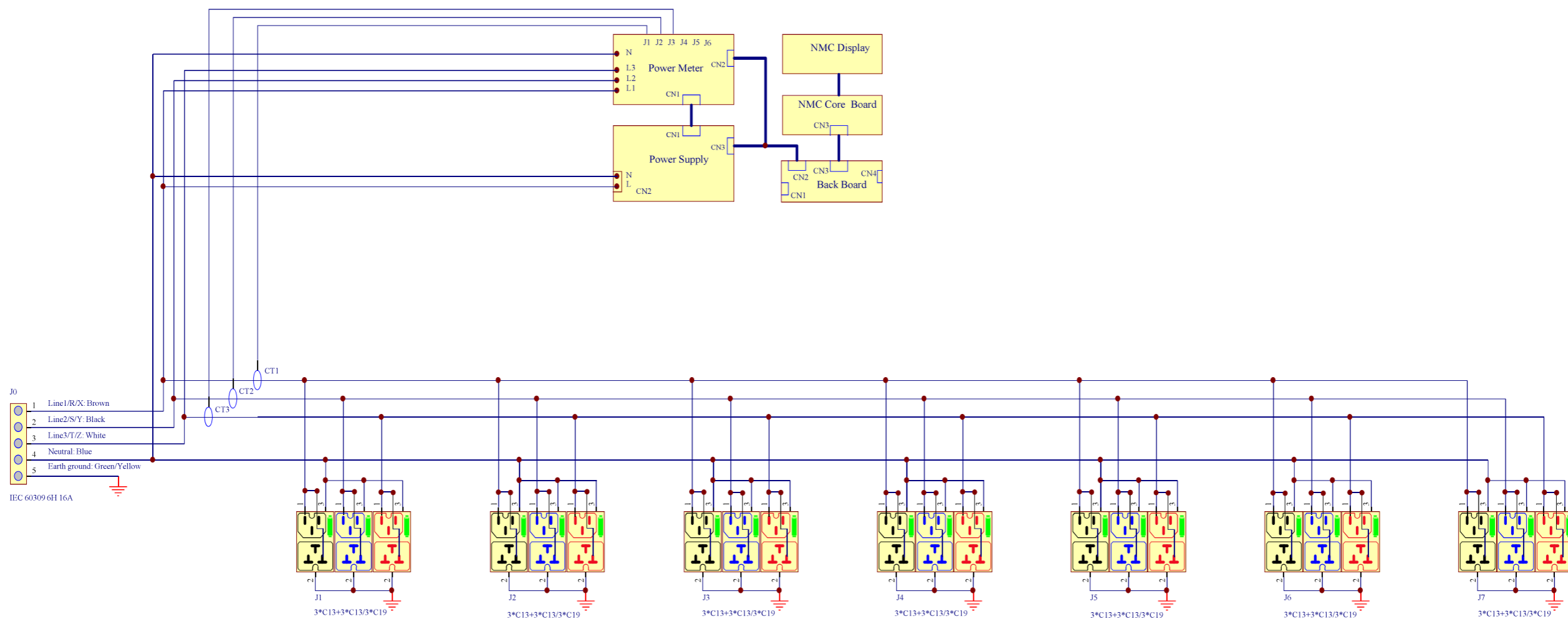
COMPLIANCE LABEL

NOTES:

1. INTERNAL WIRING

- WIRE TYPE: UL AWM 1015, 12 & 18 AWG
 LINE 1/R/X COLOR: BROWN
 LINE 2/S/Y COLOR: BLACK
 LINE 3/T/Z COLOR: WHITE
 NEUTRAL COLOR: BLUE
 EARTH GROUND COLOR: GREEN / YELLOW STRIPE

2. FOR FINISHED GOOD PART NUMBER SEE IDENTIFICATION



INTERNAL WIRING SCHEMATIC DIAGRAM

- NOTES:**
1. INSTALLATION SHALL COMPLY WITH ALL APPLICABLE NATIONAL, STATE AND LOCAL CODES.
 2. SEE PRODUCT DOCUMENTATION FOR FURTHER INFORMATION
 3. THIS DRAWING DEPICTS THE POWER SYSTEM CONNECTIONS AND IS NOT REPRESENTATIVE OF THE PHYSICAL LAYOUT. PLEASE REFER TO MECHANICAL DRAWINGS FOR PHYSICAL LAYOUT.

nvent | SCHROFF

THIS DRAWING AND SPECIFICATIONS HEREIN ARE THE PROPERTY OF CIS GLOBAL AND SHALL NOT BE COPIED, REPRODUCED OR USED IN WHOLE OR IN PART, AS THE BASIS FOR THE MANUFACTURE OR SALE OF ITEMS WITHOUT WRITTEN PERMISSION FROM CIS GLOBAL. THIS DRAWING IS BASED UPON LATEST AVAILABLE INFORMATION AND IS SUBJECT TO CHANGE WITHOUT NOTICE

ECN-2210-0226	E2	REVISE METER ACCURACY AND ATTRIBUTES CONTENT	2022/10/08	LRF
	E1	INITIAL DRAFT REVIEW	2022/04/21	LRF
ECN/ECO	REV.	DESCRIPTION	DATE	APPROVED

REVISIONS				
TITLE:	Advantage Series Metered		PART NO:	RP1450WXYZ_DA
PROJECT:	RackPower		REV.	E2
	UNLESS NOTED, DIMENSIONS ARE IN MILLIMETERS & TOLERANCES ARE: X. ±1 MM X° ±1° X.X ±0.5 MM X.X° ±0.5° X.XX ±0.20 MM ØX.X ±0.3 MM ØX.XX ±0.10 MM		DRAWN BY:	LRF
	BRACKETED DIMENSIONS ARE IN INCHES FOR REFERENCE ONLY		ENGINEER:	LJB
	⊕ THRID ANGLE PROJECTION		APPROVED BY:	Hanson
	INTERPRET PER ASME Y14.5M-1994		SCALE:	N/A
			SHEET	3 OF 3
			SIZE	A3