

TECHNICAL SPECIFICATIONS	
UNIT TYPE:	MONITORED INPUT
ORIENTATION:	VERTICAL, 0U FULL
OUTLET QTY & TYPE:	(21)C13/C15, (2)1C13/C15/C19
INPUT VOLTAGE:	208VAC
INPUT CURRENT:	30A (24A DERATED)
BREAKER QTY & TYPE:	(3) 20AMP, DOUBLE-POLE
INPUT PHASE:	THREE-PHASE, WYE/DELTA
RATED POWER:	8.6 KVA
INPUT PLUG:	SEE NOTE 7
INPUT POWER CORD:	SEE IDENTIFICATION TABLE
FEATURES	
METERING ACCURACY	+/-1% TO ISO/ IEC 62052-21
METERING ATTRIBUTES	VOLTAGE(V), CURRENT(A), APPARENT POWER(kVA), REAL POWER(kW), POWER FACTOR, ENERGY(kWh)
METERED COMPONENTS	INPUT(PHASE), CIRCUIT BREAKERS
REMOTE OUTLET SWITCHING	N/A
ENVIRONMENTAL CONDITIONS	
OPERATING TEMPERATURE	-5 TO 60 C (23 TO 140 F)
STORAGE TEMPERATURE	-20 TO 60 C (-4 TO 140 F)
HUMIDITY (OPERATING/STORAGE)	5-90% RH / 5-95% RH; NON-CONDENSING
MAX OPERATING ELEVATION, ABOVE MSL	3000M(9840FT)
COMPLIANCE	
SAFETY&ENVIRONMENTAL	RoHS COMPLIANT

IDENTIFICATION TABLE	RP 1851	*	*	*	*
MODEL IS SHOWN IN DEFAULT CONFIGURATION. FOR OPTIONAL CONFIGURATIONS, USE ITEM IDENTIFIER CODE IN PLACE OF EACH ASTERISK. ORDERABLE BASED ON FORMAT: RP1851 ***** DO NOT INCLUDE TRAILING ZEROS IN ***** SUFFIX	INPUT PLUG (DEFAULT) L21-30P=0 L15-30P=S	CHASSIS COLOR (DEFAULT) BLACK = 0 BLUE = B RED = R WHITE = W GREEN = G YELLOW = Y	CORD OPTION (DEFAULT) 1.8m [6"] = 0 1m [3.2"] = 1 2m [6.6"] = 2 3m [10"] = 3	ORIENTATION (DEFAULT) TOP FEED = 0 BOTTOM FEED = 2	
OPTIONS LISTED ON THIS ROW ARE NON STANDARD, CONTACT SALES FOR ADDITIONAL INFORMATION		ORANGE = A	0.5m [1.6"] = A 1.2m [4"] = G 1.5m [4.9"] = B 1.8m [6"] = F 2.5m [8.2"] = C		

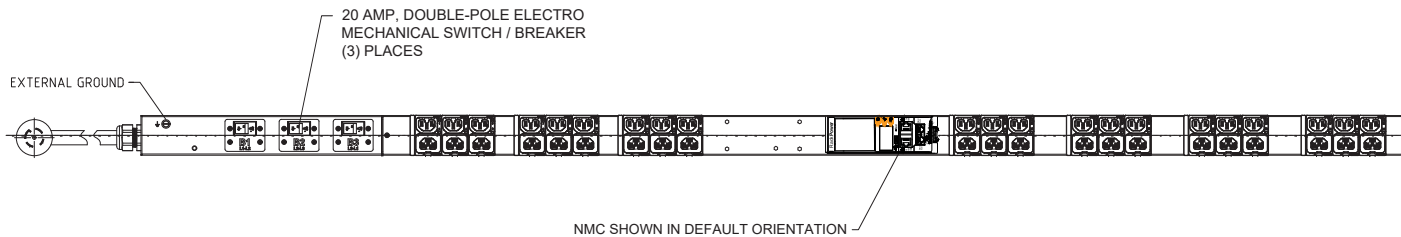
- NOTES :**
- INSTALLATION SHALL COMPLY WITH ALL APPLICABLE NATIONAL, STATE AND LOCAL CODES.
 - PRIMARY DIMENSIONS ARE IN MILLIMETERS. SECONDARY DIMENSIONS ARE IN [INCHES]
 - UNIVERSAL MOUNTING BRACKET IS AN ALTERNATIVE MOUNTING METHOD TO THE TOOLLESS MOUNT FOR 3RD PARTY ENCLOSURES. BRACKET IS PROVIDED WITH THE UNIT.
 - DETAILED INSTALLATION INSTRUCTIONS CAN BE FOUND IN THE QUICK START GUIDE
 - CONNECT EXTERNAL EARTH GROUND TO THE 10-32 SIZE THREADED NUT SEE PRODUCT DOCUMENTATION FOR FURTHER INFORMATION
 - INPUT PLUG CONFIGURATION (SEE IDENTIFICATION TABLE) FOR DUAL-RATED UNITS, NEMA PLUGS ARE NAM RATED ONLY AND CAPTIVE AUS/NZ PLUGS ARE EMEA RATED ONLY

ECN/ECO	REV.	DESCRIPTION	DATE	APPROVED
ECN-2210-0226	E3	REVISE METER ACCURACY AND ATTRIBUTES CONTENT	2022/10/08	LRF
CIS-PEC-2209-0042	E2	ADD AGENCY LABEL FOR L15	2022/09/01	Leo Liu
	E1	INITIAL DRAFT REVIEW	2022/04/21	LRF

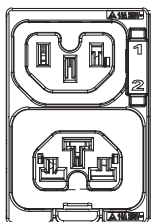
THIS DRAWING AND SPECIFICATIONS HEREIN ARE THE PROPERTY OF CIS GLOBAL AND SHALL NOT BE COPIED, REPRODUCED OR USED IN WHOLE OR IN PART, AS THE BASIS FOR THE MANUFACTURE OR SALE OF ITEMS WITHOUT WRITTEN PERMISSION FROM CIS GLOBAL. THIS DRAWING IS BASED UPON LATEST AVAILABLE INFORMATION AND IS SUBJECT TO CHANGE WITHOUT NOTICE

REVISIONS		PART NO:	REV.
TITLE :	Advantage Series Metered	RP1851WXYZ_DA	E3
PROJECT :	RackPower	DRAWN BY: LRF	2022/04/21
		ENGINEER: LJB	2022/10/08
		APPROVED BY: Hanson	2022/10/08
		SCALE : N/A	SHEET 1 OF 3
			SIZE: A3

UNLESS NOTED, DIMENSIONS ARE IN MILLIMETERS & TOLERANCES ARE:
 X ±1 MM X* ±1"
 XX ±0.5 MM XX* ±0.5"
 X ±0.20 MM
 Ø XX ±0.3 MM
 Ø XX ±0.10 MM
 BRACKETED DIMENSIONS ARE IN INCHES FOR REFERENCE ONLY
 THRID ANGLE PROJECTION
 INTERPRET PER ASME Y14.5M-1994

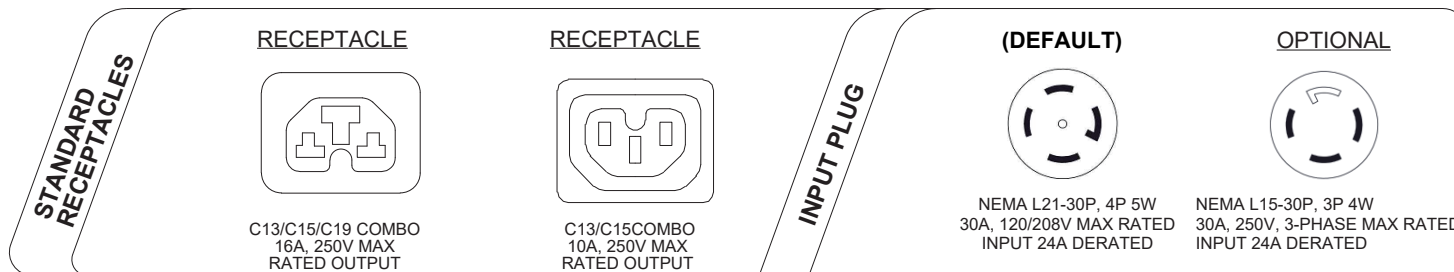


RECEPTACLE

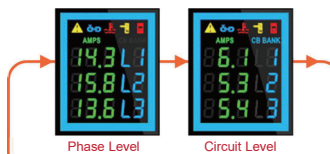


C13/C15COMBO
10A, 250V MAX
RATED OUTPUT

C13/C15/C19 COMBO
16A, 250V MAX
RATED OUTPUT



High Visibility Data Display



Critical Alarm Indicators

- ▲ PDU Alarm
- ◆ Cascade/Daisy Chain Alarm
- ⚡ Environmental Beacon
- 🚒 Security Alarm
- 🔴 Circuit Breaker Alarm

Interactive Graphic Display



USB-C

Offline FW updates & Information Transfer

Gigabit Ethernet

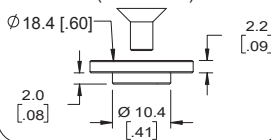
Primary network communications

Tool-less Installation

Quick hot-swap or orientation changes

MOUNTING BUTTON

BUTTON MOUNTING SCREW (INCLUDED)



Dual Ethernet Port

For redundancy & cascading

Two Digital Sensor Port

Supports external sensors & peripherals



THIS DRAWING AND SPECIFICATIONS HEREIN ARE THE PROPERTY OF CIS GLOBAL AND SHALL NOT BE COPIED, REPRODUCED OR USED IN WHOLE OR IN PART, AS THE BASIS FOR THE MANUFACTURE OR SALE OF ITEMS WITHOUT WRITTEN PERMISSION FROM CIS GLOBAL. THIS DRAWING IS BASED UPON LATEST AVAILABLE INFORMATION AND IS SUBJECT TO CHANGE WITHOUT NOTICE

ECN/ECO	REV.	DESCRIPTION	DATE	APPROVED
ECN-2210-0226	E3	REVISE METER ACCURACY AND ATTRIBUTES CONTENT	2022/10/08	LRF
CIS-PEC-2209-0042	E2	ADD AGENCY LABEL FOR L15	2022/09/01	Leo Liu
	E1	INITIAL DRAFT REVIEW	2022/04/21	LRF

REVISIONS

TITLE:	UNLESS NOTED, DIMENSIONS ARE IN MILLIMETERS & TOLERANCES ARE:	PART NO:	REV.
Advantage Series Metered	X. ±1 MM X* ±1° X.X ±0.5 MM X.X* ±0.5° X.XX ±0.20 MM Ø X.X ±0.3 MM Ø X.XX ±0.10 MM	RP1851WXYZ_DA	E3
PROJECT: RackPower	BRACKETED DIMENSIONS ARE IN INCHES FOR REFERENCE ONLY	DRAWN BY: LRF	2022/04/21
	⊕ THRD ANGLE PROJECTION	ENGINEER: LJB	2022/10/08
	INTERPRET PER ASME Y14.5M-1994	APPROVED BY: Hanson	2022/10/08
		SCALE: N/A	SHEET 2 OF 3
			A3

- NOTES:**
- INSTALLATION SHALL COMPLY WITH ALL APPLICABLE NATIONAL, STATE AND LOCAL CODES.
 - SEE PRODUCT DOCUMENTATION FOR FURTHER INFORMATION

nvent | SCHROFF RackPower Distribution Unit Metered

SKU #: RP1851WXYZ
 Model #: EP116024-0061-C
 INPUT: 100-120/200-240VAC, WYE, 3PHASE, 50/60Hz, 24A
 OUTPUT: C13/C15 COMBO; 200-240VAC, 10A per outlet
 C13/C15/C19 COMBO; 200-240VAC, 16A max per outlet
 24A Total

MAC0 Address: XX-XX-XX-XX-XX
 MAC1 Address: XX-XX-XX-XX-XX

Made in XXXXX

SKU#: RP1851WXYZ
 Serial Number: XXXXXXXX
 PRODUCT CODE: XXXXXX

FC C 30805 US 50

THIS DEVICE COMPLIES WITH PART 15 OF THE FCC RULES. OPERATION IS SUBJECT TO THE FOLLOWING TWO CONDITIONS: (1) THIS DEVICE MAY NOT CAUSE HARMFUL INTERFERENCE AND (2) THIS DEVICE MUST ACCEPT ANY INTERFERENCE RECEIVED, INCLUDING INTERFERENCE THAT MAY CAUSE UNDESIRABLE OPERATION. CAN ICES-3(A)/NMB-3(A)

Input Plug: L21-30P

nvent | SCHROFF RackPower Distribution Unit Metered

SKU #: RP1851WXYZ
 Model #: EP114024-0061-C
 INPUT: 200-240VAC, DELTA, 3PHASE, 50/60Hz, 24A
 OUTPUT: C13/C15 COMBO; 200-240VAC, 10A per outlet
 C13/C15/C19 COMBO; 200-240VAC, 16A max per outlet
 24A Total

MAC0 Address: XX-XX-XX-XX-XX
 MAC1 Address: XX-XX-XX-XX-XX

Made in XXXXX

SKU#: RP1851WXYZ
 Serial Number: XXXXXXXX
 PRODUCT CODE: XXXXXX

FC C 30805 US 50

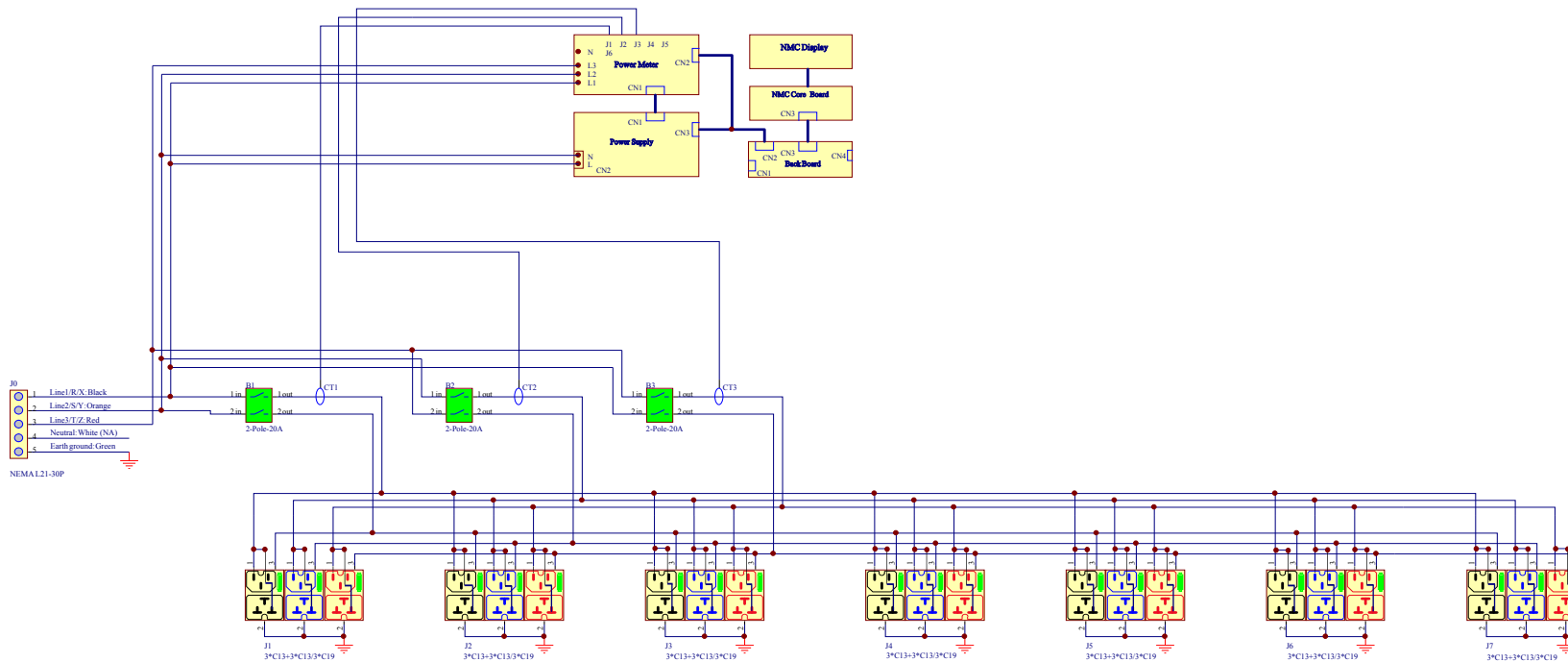
THIS DEVICE COMPLIES WITH PART 15 OF THE FCC RULES. OPERATION IS SUBJECT TO THE FOLLOWING TWO CONDITIONS: (1) THIS DEVICE MAY NOT CAUSE HARMFUL INTERFERENCE AND (2) THIS DEVICE MUST ACCEPT ANY INTERFERENCE RECEIVED, INCLUDING INTERFERENCE THAT MAY CAUSE UNDESIRABLE OPERATION. CAN ICES-3(A)/NMB-3(A)

Input Plug: L15-30P

NOTES:

- INTERNAL WIRING WIRE TYPE: UL AWM 1015, 12 & 18 AWG
 - FOR FINISHED GOOD PART NUMBER SEE IDENTIFICATION
- LINE 1/R/X COLOR: Black
 LINE 2/S/Y COLOR: Orange
 LINE 3/T/Z COLOR: Red
 NEUTRAL COLOR: White (NA)
 EARTH GROUND COLOR: Green

COMPLIANCE LABEL



INTERNAL WIRING SCHEMATIC DIAGRAM

- NOTES:**
- INSTALLATION SHALL COMPLY WITH ALL APPLICABLE NATIONAL, STATE AND LOCAL CODES.
 - SEE PRODUCT DOCUMENTATION FOR FURTHER INFORMATION
 - THIS DRAWING DEPICTS THE POWER SYSTEM CONNECTIONS AND IS NOT REPRESENTATIVE OF THE PHYSICAL LAYOUT. PLEASE REFER TO MECHANICAL DRAWINGS FOR PHYSICAL LAYOUT.

nvent | SCHROFF

THIS DRAWING AND SPECIFICATIONS HEREIN ARE THE PROPERTY OF CIS GLOBAL AND SHALL NOT BE COPIED, REPRODUCED OR USED IN WHOLE OR IN PART, AS THE BASIS FOR THE MANUFACTURE OR SALE OF ITEMS WITHOUT WRITTEN PERMISSION FROM CIS GLOBAL. THIS DRAWING IS BASED UPON LATEST AVAILABLE INFORMATION AND IS SUBJECT TO CHANGE WITHOUT NOTICE

ECN-2210-0226	E3	REVISE METER ACCURACY AND ATTRIBUTES CONTENT	2022/10/08	LRF
CIS-PEC-2209-0042	E2	ADD AGENCY LABEL FOR L15	2022/09/01	Leo Liu
	E1	INITIAL DRAFT REVIEW	2022/04/21	LRF
ECN/ECO	REV.	DESCRIPTION	DATE	APPROVED

REVISIONS				
TITLE:	Advantage Series Metered		PART NO:	RP1851WXYZ_DA
PROJECT:	RackPower		REV.:	E3
UNLESS NOTED, DIMENSIONS ARE IN MILLIMETERS & TOLERANCES ARE:		DRAWN BY: LRF		
X: ±1 MM		ENGINEER: LJB		
X.X: ±0.5 MM		APPROVED BY: Hanson		
X.XX: ±0.20 MM		DATE: 2022/04/21		
ØX.X: ±0.3 MM		DATE: 2022/10/08		
ØX.XX: ±0.10 MM		SCALE: N/A		
BRACKETED DIMENSIONS ARE IN INCHES FOR REFERENCE ONLY		SHEET 3 OF 3		
⊕ THIRD ANGLE PROJECTION		SIZE: A3		
INTERPRET PER ASME Y14.5M-1994				