

TECHNICAL SPECIFICATIONS	
UNIT TYPE:	MONITORED SWITCHED
ORIENTATION:	VERTICAL, 0U FULL
OUTLET QTY & TYPE:	(20)C13, (4)C19
INPUT VOLTAGE:	200-240VAC
INPUT CURRENT:	32A
BREAKER QTY & TYPE:	(2) 16AMP, SINGLE-POLE
INPUT PHASE:	SINGLE-PHASE
RATED POWER:	7.4kVA
INPUT PLUG:	SEE NOTE 7
INPUT POWER CORD:	SEE IDENTIFICATION TABLE
FEATURES	
METERING ACCURACY	+/-1% TO ISO/ IEC 62052-21
METERING ATTRIBUTES	VOLTAGE(V), CURRENT(A), APPARENT POWER(kVA), REAL POWER(kW), POWER FACTOR, ENERGY(kWh)
METERED COMPONENTS	INPUT(PHASE), CIRCUIT BREAKERS
REMOTE OUTLET SWITCHING	YES
ENVIRONMENTAL CONDITIONS	
OPERATING TEMPERATURE	-5 TO 60 C (23 TO 140 F)
STORAGE TEMPERATURE	-20 TO 60 C (-4 TO 140 F)
HUMIDITY (OPERATING/STORAGE)	5-90% RH / 5-95% RH; NON-CONDENSING
MAX OPERATING ELEVATION, ABOVE MSL	3000M(9840FT)
COMPLIANCE	
SAFETY&ENVIRONMENTAL	RoHS COMPLIANT

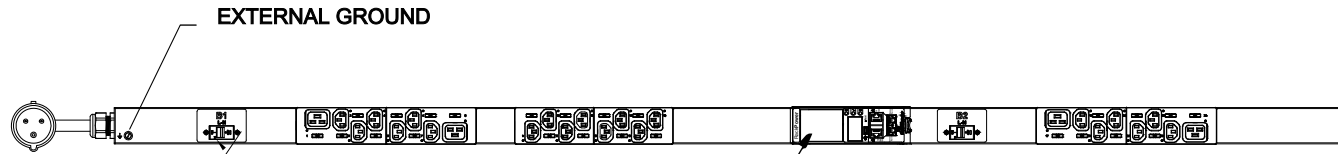
IDENTIFICATION TABLE	RP 2325	*	*	*	*
MODEL IS SHOWN IN DEFAULT CONFIGURATION. FOR OPTIONAL CONFIGURATIONS, USE ITEM IDENTIFIER CODE IN PLACE OF EACH ASTERISK. ORDERABLE BASED ON FORMAT: RP2325* **** DO NOT INCLUDE TRAILING ZEROS IN **** SUFFIX	INPUT PLUG (DEFAULT) 332P6(IP44)=0	CHASSIS COLOR (DEFAULT) BLACK = 0 BLUE = B RED = R WHITE = W GREEN = G YELLOW = Y	CORD OPTION (DEFAULT) 3m [10"] = 0 1m [3.2"] = 1 2m [6.6"] = 2	ORIENTATION (DEFAULT) TOP FEED = 0 BOTTOM FEED = 2	
OPTIONS LISTED ON THIS ROW ARE NON STANDARD, CONTACT SALES FOR ADDITIONAL INFORMATION		ORANGE = A	0.5m [1.6"] = A 1.2m [4"] = G 1.5m [4.9"] = B 1.8m [6"] = F 2.5m [8.2"] = C		

- NOTES :
- INSTALLATION SHALL COMPLY WITH ALL APPLICABLE NATIONAL, STATE AND LOCAL CODES.
 - PRIMARY DIMENSIONS ARE IN MILLIMETERS. SECONDARY DIMENSIONS ARE IN [INCHES]
 - UNIVERSAL MOUNTING BRACKET IS AN ALTERNATIVE MOUNTING METHOD TO THE TOOLLESS MOUNT FOR 3RD PARTY ENCLOSURES. BRACKET IS PROVIDED WITH THE UNIT.
 - DETAILED INSTALLATION INSTRUCTIONS CAN BE FOUND IN THE QUICK START GUIDE
 - CONNECT EXTERNAL EARTH GROUND TO THE 10-32 SIZE THREADED NUT
 - SEE PRODUCT DOCUMENTATION FOR FURTHER INFORMATION
 - INPUT PLUG CONFIGURATION (SEE IDENTIFICATION TABLE) FOR DUAL-RATED UNITS, NEMA PLUGS ARE NAM RATED ONLY AND CAPTIVE AUS/NZ PLUGS ARE EMEA RATED ONLY

nvent | SCHROFF

THIS DRAWING AND SPECIFICATIONS HEREIN ARE THE PROPERTY OF CIS GLOBAL AND SHALL NOT BE COPIED, REPRODUCED OR USED IN WHOLE OR IN PART, AS THE BASIS FOR THE MANUFACTURE OR SALE OF ITEMS WITHOUT WRITTEN PERMISSION FROM CIS GLOBAL. THIS DRAWING IS BASED UPON LATEST AVAILABLE INFORMATION AND IS SUBJECT TO CHANGE WITHOUT NOTICE

ECN/ECO	REV.	DESCRIPTION	DATE	APPROVED
ECN-2210-0226	E2	REVISE METER ACCURACY AND ATTRIBUTES CONTENT	2022/10/08	LRF
	E1	INITIAL DRAFT REVIEW	2022/05/13	LRF
REVISIONS				
TITLE:		UNLESS NOTED, DIMENSIONS ARE IN MILLIMETERS & TOLERANCES ARE:	PART NO: RP2325WXYZ_DA	
PROJECT: RackPower		X: ±1 MM X*: ±1°	REV. E1	
		X.X: ±0.5 MM X.X*: ±0.5°		
		ΦX.X: ±0.20 MM	DRAWN BY: LRF 2022/05/13	
		ΦX.XX: ±0.3 MM	ENGINEER: LJB 2022/10/08	
		ΦX.XX: ±0.10 MM	APPROVED BY: Hanson 2022/10/08	
		BRACKETED DIMENSIONS ARE IN INCHES FOR REFERENCE ONLY	SCALE: N/A	
		⊕ THIRD ANGLE PROJECTION	SHEET 1 OF 3	
		INTERPRET PER ASME Y14.5M-1994	SIZE: A3	



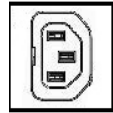
16 AMP, SINGLE-POLE ELECTRO MECHANICAL SWITCH / BREAKER (2) PLACES

NMC SHOWN IN DEFAULT ORIENTATION

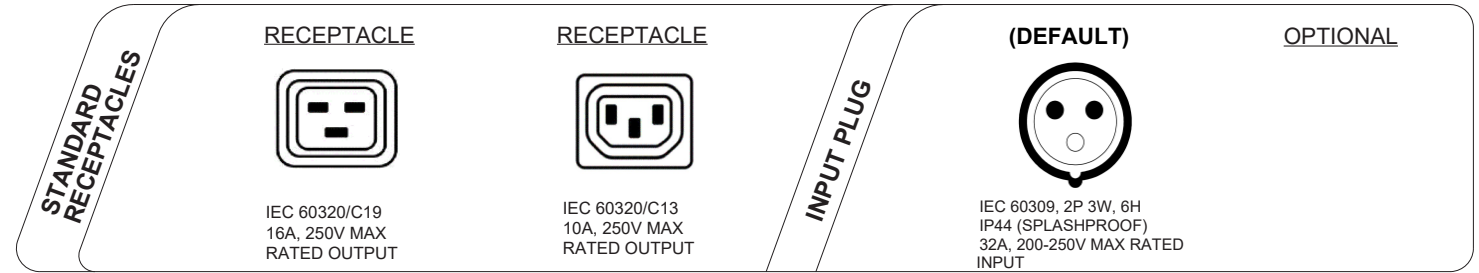
RECEPTACLE



IEC 60320/C19
16A, 250V MAX
RATED OUTPUT



IEC 60320/C13
10A, 250V MAX
RATED OUTPUT



High Visibility Data Display



USB-C



Gigabit Ethernet



Tool-less Installation



Critical Alarm Indicators

- ▲ PDU Alarm
- ◆ Cascade/Daisy Chain Alarm
- ⚡ Environmental Beacon
- 🚒 Security Alarm
- 🔴 Circuit Breaker Alarm

Interactive Graphic Display

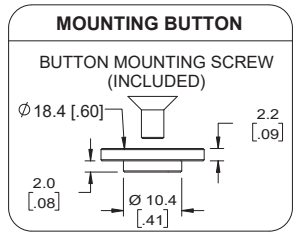


Dual Ethernet Port

For redundancy & cascading

Two Digital Sensor Port

Supports external sensors & peripherals



THIS DRAWING AND SPECIFICATIONS HEREIN ARE THE PROPERTY OF CIS GLOBAL AND SHALL NOT BE COPIED, REPRODUCED OR USED IN WHOLE OR IN PART, AS THE BASIS FOR THE MANUFACTURE OR SALE OF ITEMS WITHOUT WRITTEN PERMISSION FROM CIS GLOBAL. THIS DRAWING IS BASED UPON LATEST AVAILABLE INFORMATION AND IS SUBJECT TO CHANGE WITHOUT NOTICE

- NOTES:**
- INSTALLATION SHALL COMPLY WITH ALL APPLICABLE NATIONAL, STATE AND LOCAL CODES.
 - SEE PRODUCT DOCUMENTATION FOR FURTHER INFORMATION

ECN-2210-0226	E2	REVISE METER ACCURACY AND ATTRIBUTES CONTENT	2022/10/08	LRF
	E1	INITIAL DRAFT REVIEW	2022/05/13	LRF
ECN/ECO	REV.	DESCRIPTION	DATE	APPROVED

REVISIONS				
TITLE:	UNLESS NOTED, DIMENSIONS ARE IN MILLIMETERS & TOLERANCES ARE:	PART NO:	REV.	
Advantage Series Metered Switched	X: ±1 MM X*: ±1° X.X: ±0.5 MM X.X*: ±0.5° X.XX: ±0.20 MM ØX.X: ±0.3 MM ØX.XX: ±0.10 MM	RP2325WXYZ_DA	E1	
PROJECT: RackPower	BRACKETED DIMENSIONS ARE IN INCHES FOR REFERENCE ONLY	DRAWN BY: LRF	2022/05/13	
	⊕ THIRD ANGLE PROJECTION	ENGINEER: LJB	2022/10/08	
	INTERPRET PER ASME Y14.5M-1994	APPROVED BY: Hanson	2022/10/08	
		SCALE: N/A		SIZE: SHEET 2 OF 3 A3

nvent | SCHROFF
RackPower Distribution Unit
 Metered Switched

SKU #: RP2325WXYZ
 Model #: EP21032-0013
 INPUT: 200-240VAC, 1PHASE, 50/60Hz, 32A
 OUTPUT: C13; 200-240VAC, 10A per outlet
 C19; 200-240VAC, 16A per outlet
 32A Total

MAC0 Address: XX-XX-XX-XX-XX
 MAC1 Address: XX-XX-XX-XX-XX

Made In XXXXX

CE UK CA

nVent Electric plc
 1805 Utica Ave, Suite 700
 Minneapolis, MN 55416

50 D

SKU#
 RP2325WXYZ

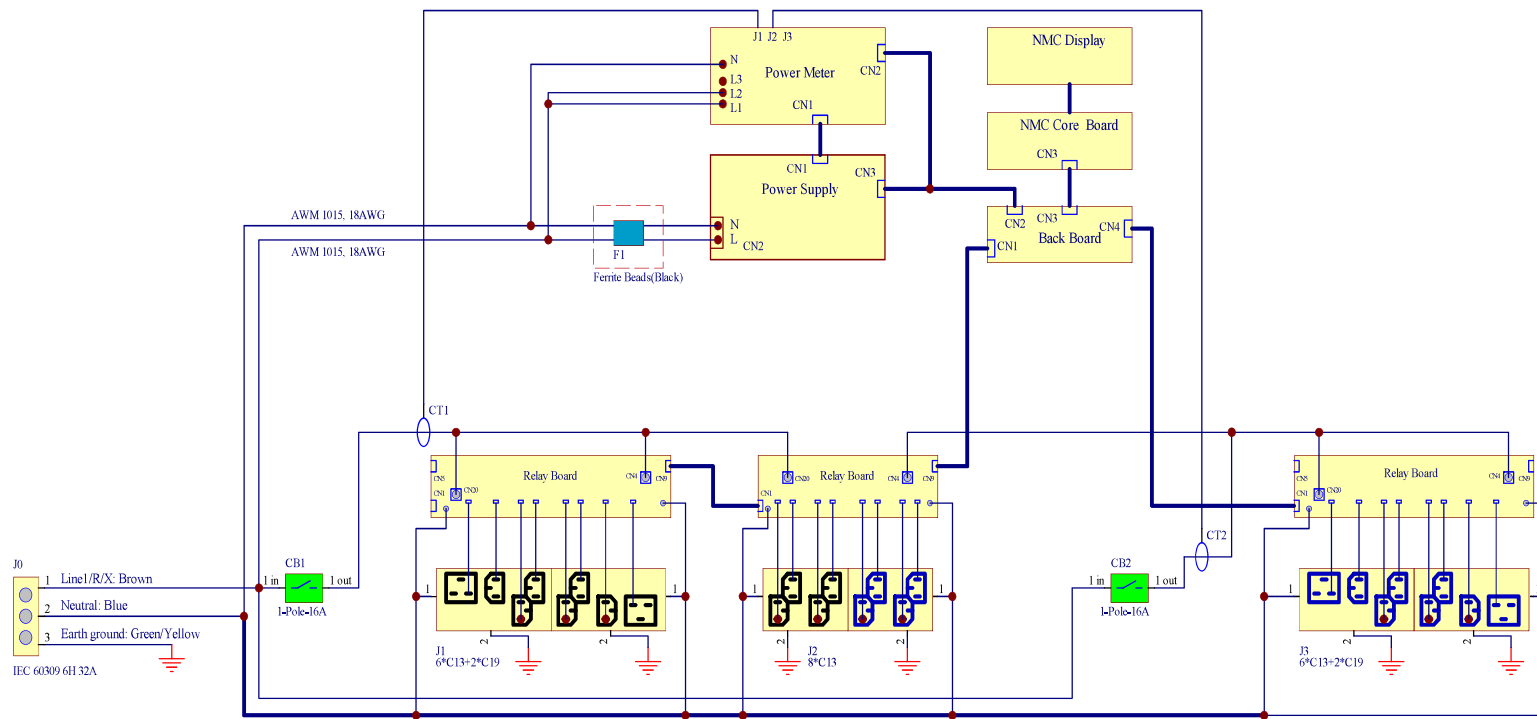
Serial Number
 XXXXXXXX

PRODUCT CODE
 XXXXXX

Mfr. Name: XXXXXXXXXXXXXXXXXXXXXXXXXXXX

- NOTES:
- INTERNAL WIRING:
 WIRE TYPE: UL AWM 1015, 12 & 18AWG
 LINE 1/R/X COLOR: BROWN
 EARTH GROUND COLOR: GREEN/YELLOW STRIPE
 NEUTRAL WIRE COLOR: BLUE
 - FOR FINISHED GOOD PART NUMBER SEE IDENTIFICATION

COMPLIANCE LABEL



INTERNAL WIRING SCHEMATIC

- NOTES:
- INSTALLATION SHALL COMPLY WITH ALL APPLICABLE NATIONAL, STATE AND LOCAL CODES.
 - SEE PRODUCT DOCUMENTATION FOR FURTHER INFORMATION
 - THIS DRAWING DEPICTS THE POWER SYSTEM CONNECTIONS AND IS NOT REPRESENTATIVE OF THE PHYSICAL LAYOUT. PLEASE REFER TO MECHANICAL DRAWINGS FOR PHYSICAL LAYOUT.

nvent | SCHROFF

THIS DRAWING AND SPECIFICATIONS HEREIN ARE THE PROPERTY OF CIS GLOBAL AND SHALL NOT BE COPIED, REPRODUCED OR USED IN WHOLE OR IN PART, AS THE BASIS FOR THE MANUFACTURE OR SALE OF ITEMS WITHOUT WRITTEN PERMISSION FROM CIS GLOBAL. THIS DRAWING IS BASED UPON LATEST AVAILABLE INFORMATION AND IS SUBJECT TO CHANGE WITHOUT NOTICE

ECN-2210-0226	E2	REVISE METER ACCURACY AND ATTRIBUTES CONTENT	2022/10/08	LRF
	E1	INITIAL DRAFT REVIEW	2022/05/13	LRF
ECN/ECO	REV.	DESCRIPTION	DATE	APPROVED

REVISIONS					
TITLE:	Advantage Series Metered Switched		UNLESS NOTED, DIMENSIONS ARE IN MILLIMETERS & TOLERANCES ARE: X: ±1 MM X*: ±1° X.X ±0.5 MM X.X* ±0.5° X.XX ±0.20 MM ØX.X ±0.3 MM ØX.XX ±0.10 MM	PART NO: RP2325WXYZ_DA	REV. E1
PROJECT:	RackPower		BRACKETED DIMENSIONS ARE IN INCHES FOR REFERENCE ONLY	DRAWN BY: LRF	2022/05/13
			⊕ THIRD ANGLE PROJECTION	ENGINEER: LJB	2022/10/08
			INTERPRET PER ASME Y14.5M-1994	APPROVED BY: Hanson	2022/10/08
				SCALE: N/A	SHEET 3 OF 3
					SIZE: A3