

TECHNICAL SPECIFICATIONS	
UNIT TYPE:	MONITORED SWITCHED
ORIENTATION:	VERTICAL, 0U FULL
OUTLET QTY & TYPE:	(24)C13/C15, (24)C13/C15/C19
INPUT VOLTAGE:	208VAC
INPUT CURRENT:	30A (24A DERATED)
BREAKER QTY & TYPE:	(3) 20AMP, DOUBLE-POLE
INPUT PHASE:	THREE-PHASE, WYE/DELTA
RATED POWER:	8.6 KVA
INPUT PLUG:	SEE NOTE 7
INPUT POWER CORD:	SEE IDENTIFICATION TABLE
FEATURES	
METERING ACCURACY	+/-1% TO ISO/ IEC 62052-21
METERING ATTRIBUTES	VOLTAGE(V), CURRENT(A), APPARENT POWER(kVA), REAL POWER(kW), POWER FACTOR, ENERGY(kWh)
METERED COMPONENTS	INPUT(PHASE), CIRCUIT BREAKERS
REMOTE OUTLET SWITCHING	YES
ENVIRONMENTAL CONDITIONS	
OPERATING TEMPERATURE	-5 TO 60 C (23 TO 140 F)
STORAGE TEMPERATURE	-20 TO 60 C (-4 TO 140 F)
HUMIDITY (OPERATING/STORAGE)	5-90% RH / 5-95% RH; NON-CONDENSING
MAX OPERATING ELEVATION, ABOVE MSL	3000M(9840FT)
COMPLIANCE	
SAFETY&ENVIRONMENTAL	RoHS COMPLIANT

IDENTIFICATION TABLE	RP 2851	*	*	*	*
MODEL IS SHOWN IN DEFAULT CONFIGURATION. FOR OPTIONAL CONFIGURATIONS, USE ITEM IDENTIFIER CODE IN PLACE OF EACH ASTERISK. ORDERABLE BASED ON FORMAT: RP2851**** DO NOT INCLUDE TRAILING ZEROS IN **** SUFFIX	INPUT PLUG (DEFAULT) L21-30P=0 L15-30P=S	CHASSIS COLOR (DEFAULT) BLACK = 0 BLUE = B RED = R GREEN = G WHITE = W YELLOW = Y	CORD OPTION (DEFAULT) 1.8m [6"] = 0 1m [3.2"] = 1 2m [6.6"] = 2 3m [10"] = 3	ORIENTATION (DEFAULT) TOP FEED = 0 BOTTOM FEED = 2	
OPTIONS LISTED ON THIS ROW ARE NON STANDARD. CONTACT SALES FOR ADDITIONAL INFORMATION		ORANGE = A	0.5m [1.6"] = A 1.5m [4.9"] = B 2.5m [8.2"] = C		

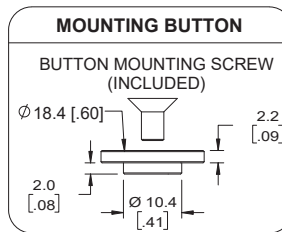
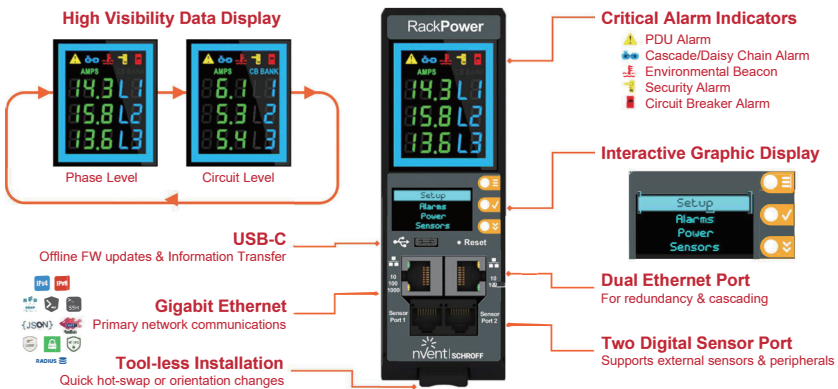
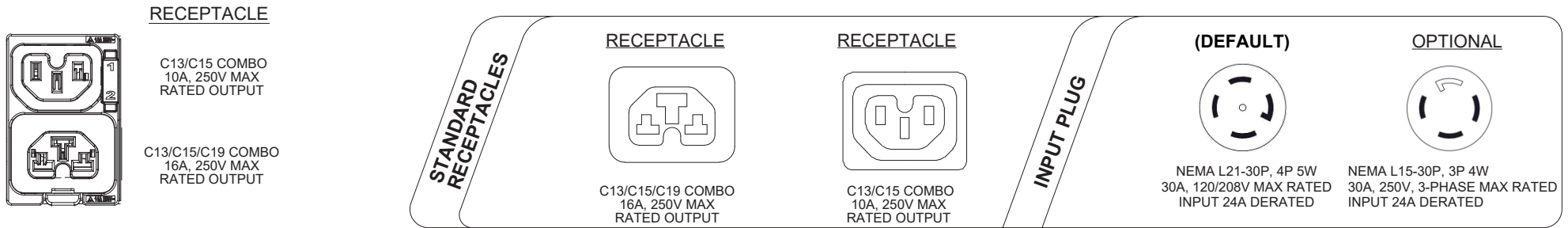
- NOTES:**
- INSTALLATION SHALL COMPLY WITH ALL APPLICABLE NATIONAL, STATE AND LOCAL CODES.
  - PRIMARY DIMENSIONS ARE IN MILLIMETERS. SECONDARY DIMENSIONS ARE IN [INCHES]
  - UNIVERSAL MOUNTING BRACKET IS AN ALTERNATIVE MOUNTING METHOD TO THE TOOLLESS MOUNT FOR 3RD PARTY ENCLOSURES. BRACKET IS PROVIDED WITH THE UNIT.
  - DETAILED INSTALLATION INSTRUCTIONS CAN BE FOUND IN THE QUICK START GUIDE
  - CONNECT EXTERNAL EARTH GROUND TO THE 10-32 SIZE THREADED NUT SEE PRODUCT DOCUMENTATION FOR FURTHER INFORMATION
  - INPUT PLUG CONFIGURATION (SEE IDENTIFICATION TABLE) FOR DUAL-RATED UNITS, NEMA PLUGS ARE NAM RATED ONLY AND CAPTIVE AUS/NZ PLUGS ARE EMEA RATED ONLY

THIS DRAWING AND SPECIFICATIONS HEREIN ARE THE PROPERTY OF CIS GLOBAL AND SHALL NOT BE COPIED, REPRODUCED OR USED IN WHOLE OR IN PART, AS THE BASIS FOR THE MANUFACTURE OR SALE OF ITEMS WITHOUT WRITTEN PERMISSION FROM CIS GLOBAL. THIS DRAWING IS BASED UPON LATEST AVAILABLE INFORMATION AND IS SUBJECT TO CHANGE WITHOUT NOTICE

ECN/ECO	REV.	DESCRIPTION	DATE	APPROVED
ECN-2210-0226	E3	REVISE METER ACCURACY AND ATTRIBUTES CONTENT	2022/10/08	LRF
CIS-PEC-2209-0042	E2	ADD AGENCY LABEL FOR L15	2022/09/01	Leo Liu
	E1	INITIAL DRAFT REVIEW	2022/04/14	LRF

REVISIONS		PART NO:	REV.
<b>TITLE:</b>	Advantage Series Metered Switched	RP2851WXYZ_DA	E3
<b>PROJECT:</b>	RackPower	<b>DRAWN BY:</b> LRF	2022/04/14
		<b>ENGINEER:</b> LJB	2022/10/08
		<b>APPROVED BY:</b> Hanson	2022/10/08
		SCALE : N/A	SHEET 1 OF 3
			SIZE: A3

UNLESS NOTED, DIMENSIONS ARE IN MILLIMETERS & TOLERANCES ARE:  
 X ±1 MM X' ±1"  
 XX ±0.5 MM X.X' ±0.5"  
 X ±0.20 MM  
 Ø XX ±0.3 MM  
 Ø XXX ±0.10 MM  
 BRACKETED DIMENSIONS ARE IN INCHES FOR REFERENCE ONLY  
 THRID ANGLE PROJECTION  
 INTERPRET PER ASME Y14.5M-1994



ECN/ECO	REV.	DESCRIPTION	DATE	APPROVED
ECN-2210-0226	E3	REVISE METER ACCURACY AND ATTRIBUTES CONTENT	2022/10/08	LRF
CIS-PEC-2209-0042	E2	ADD AGENCY LABEL FOR L15	2022/09/01	Leo Liu
	E1	INITIAL DRAFT REVIEW	2022/04/14	LRF

REVISIONS				
<b>TITLE:</b>	Advantage Series Metered Switched		<b>PART NO:</b>	RP2851WXYZ_DA
<b>PROJECT:</b>	RackPower		<b>REV.:</b>	E3
UNLESS NOTED, DIMENSIONS ARE IN MILLIMETERS & TOLERANCES ARE: X. ±1 MM X° ±1° X.X ±0.5 MM X.X° ±0.5° X.XX ±0.20 MM X.XX° ±0.5° ØX.X ±0.3 MM ØX.XX ±0.10 MM			<b>DRAWN BY:</b>	LRF
BRACKETED DIMENSIONS ARE IN INCHES FOR REFERENCE ONLY			<b>ENGINEER:</b>	LJB
⊕ THIRD ANGLE PROJECTION			<b>APPROVED BY:</b>	Hanson
INTERPRET PER ASME Y14.5M-1994			<b>SCALE:</b>	N/A
			<b>SHEET</b>	2 OF 3
			<b>SIZE:</b>	A3

- NOTES:**
- INSTALLATION SHALL COMPLY WITH ALL APPLICABLE NATIONAL, STATE AND LOCAL CODES.
  - SEE PRODUCT DOCUMENTATION FOR FURTHER INFORMATION

**nvent | SCHROFF**

THIS DRAWING AND SPECIFICATIONS HEREIN ARE THE PROPERTY OF CIS GLOBAL AND SHALL NOT BE COPIED, REPRODUCED OR USED IN WHOLE OR IN PART, AS THE BASIS FOR THE MANUFACTURE OR SALE OF ITEMS WITHOUT WRITTEN PERMISSION FROM CIS GLOBAL. THIS DRAWING IS BASED UPON LATEST AVAILABLE INFORMATION AND IS SUBJECT TO CHANGE WITHOUT NOTICE

**nvent | SCHROFF** RackPower Distribution Unit  
Metered Switched

SKU #: RP2851WXYZ  
Model #: EP126024-0062-C  
INPUT: 100-120/200-240VAC, WYE, 3PHASE, 50/60Hz, 24A  
OUTPUT: C13/C15 COMBO; 200-240VAC, 10A per outlet  
C13/C15/C19 COMBO; 200-240VAC, 16A max per outlet  
24A Total

MAC0 Address:XX-XX-XX-XX-XX-XX  
MAC1 Address:XX-XX-XX-XX-XX-XX

Made In XXXXX

FC, CE, US, 303805, 50

THIS DEVICE COMPLIES WITH PART 15 OF THE FCC RULES. OPERATION IS SUBJECT TO THE FOLLOWING TWO CONDITIONS: (1) THIS DEVICE MAY NOT CAUSE HARMFUL INTERFERENCE, AND (2) THIS DEVICE MUST ACCEPT ANY INTERFERENCE RECEIVED, INCLUDING INTERFERENCE THAT MAY CAUSE UNDESIRABLE OPERATION. CAN ICES-3(A)/NMB-3(A)

SKUP: RP2851WXYZ  
Serial Number: XXXXX.XXXXX  
PRODUCT CODE: XXXXX.XXXXX  
XXXXXX

Input Plug: L21-30P

**nvent | SCHROFF** RackPower Distribution Unit  
Metered Switched

SKU #: RP2851WXYZ  
Model #: EP124024-0062-C  
INPUT: 200-240VAC, DELTA, 3PHASE, 50/60Hz, 24A  
OUTPUT: C13/C15 COMBO; 200-240VAC, 10A per outlet  
C13/C15/C19 COMBO; 200-240VAC, 16A max per outlet  
24A Total

MAC0 Address:XX-XX-XX-XX-XX-XX  
MAC1 Address:XX-XX-XX-XX-XX-XX

Made In XXXXX

FC, CE, US, 303805, 50

THIS DEVICE COMPLIES WITH PART 15 OF THE FCC RULES. OPERATION IS SUBJECT TO THE FOLLOWING TWO CONDITIONS: (1) THIS DEVICE MAY NOT CAUSE HARMFUL INTERFERENCE, AND (2) THIS DEVICE MUST ACCEPT ANY INTERFERENCE RECEIVED, INCLUDING INTERFERENCE THAT MAY CAUSE UNDESIRABLE OPERATION. CAN ICES-3(A)/NMB-3(A)

SKUP: RP2851WXYZ  
Serial Number: XXXXX.XXXXX  
PRODUCT CODE: XXXXX.XXXXX  
XXXXXX

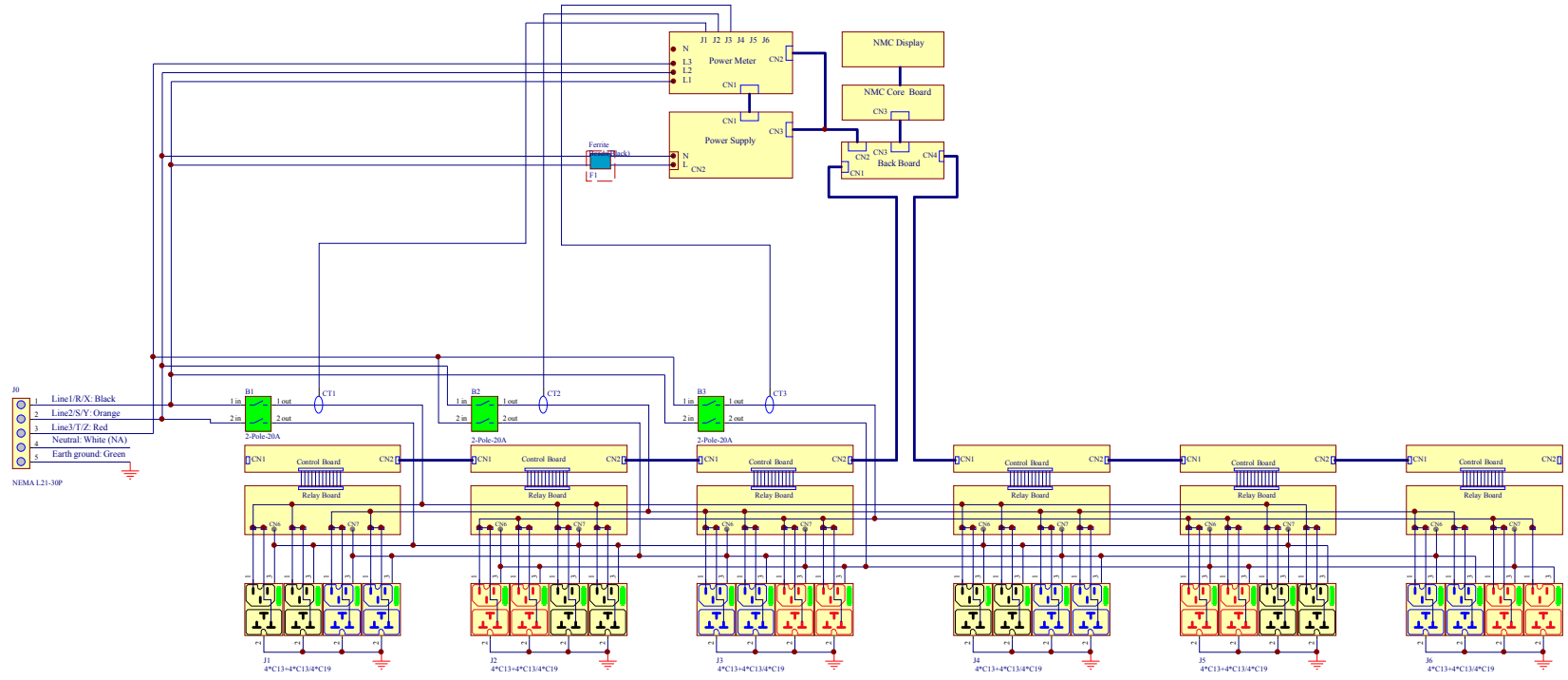
Input Plug: L15-30P

NOTES:

- INTERNAL WIRING WIRE TYPE: UL AWM 1015, 12 & 18 AWG
- FOR FINISHED GOOD PART NUMBER SEE IDENTIFICATION

LINE 1/R/X COLOR: Black  
LINE 2/S/Y COLOR: Orange  
LINE 3/T/Z COLOR: Red  
NEUTRAL COLOR: White (NA)  
EARTH GROUND COLOR: Green

COMPLIANCE LABEL



INTERNAL WIRING SCHEMATIC DIAGRAM

NOTES:

- INSTALLATION SHALL COMPLY WITH ALL APPLICABLE NATIONAL, STATE AND LOCAL CODES.
- SEE PRODUCT DOCUMENTATION FOR FURTHER INFORMATION
- THIS DRAWING DEPICTS THE POWER SYSTEM CONNECTIONS AND IS NOT REPRESENTATIVE OF THE PHYSICAL LAYOUT. PLEASE REFER TO MECHANICAL DRAWINGS FOR PHYSICAL LAYOUT.

**nvent | SCHROFF**

THIS DRAWING AND SPECIFICATIONS HEREIN ARE THE PROPERTY OF CIS GLOBAL AND SHALL NOT BE COPIED, REPRODUCED OR USED IN WHOLE OR IN PART, AS THE BASIS FOR THE MANUFACTURE OR SALE OF ITEMS WITHOUT WRITTEN PERMISSION FROM CIS GLOBAL. THIS DRAWING IS BASED UPON LATEST AVAILABLE INFORMATION AND IS SUBJECT TO CHANGE WITHOUT NOTICE

ECN-2210-0226	E3	REVISE METER ACCURACY AND ATTRIBUTES CONTENT	2022/10/08	LRF
CIS-PEC-2209-0042	E2	ADD AGENCY LABEL FOR L15	2022/09/01	Leo Liu
	E1	INITIAL DRAFT REVIEW	2022/04/14	LRF
ECN/ECO	REV.	DESCRIPTION	DATE	APPROVED

TITLE:		UNLESS NOTED, DIMENSIONS ARE IN MILLIMETERS & TOLERANCES ARE:		PART NO:		REV.	
Advantage Series Metered Switched		X: ±1 MM	X*: ±1°	RP2851WXYZ_DA		E3	
		X.X ±0.5 MM	X.X* ±0.5°	DRAWN BY: LRF		2022/04/14	
		X.XX ±0.20 MM		ENGINEER: LJB		2022/10/08	
		Φ.XX ±0.3 MM		APPROVED BY: Hanson		2022/10/08	
		Φ.XXX ±0.10 MM		SCALE: N/A		SHEET 3 OF 3	
PROJECT:		BRACKETED DIMENSIONS ARE IN INCHES FOR REFERENCE ONLY				SIZE: A3	
RackPower		⊕ THIRD ANGLE PROJECTION					
		INTERPRET PER ASME Y14.5M-1994					