

| TECHNICAL SPECIFICATIONS | |
|------------------------------------|--|
| UNIT TYPE: | MONITORED SWITCHED |
| ORIENTATION: | VERTICAL, 0U FULL |
| OUTLET QTY & TYPE: | (21)C13/C15, (21)C13/C15/C19 |
| INPUT VOLTAGE: | 200-240/346-415VAC |
| INPUT CURRENT: | 60A (48A DERATED) |
| BREAKER QTY & TYPE: | (12) 20AMP, SINGLE-POLE, 10KA |
| INPUT PHASE: | THREE-PHASE, WYE |
| RATED POWER: | 34.6KVA |
| INPUT PLUG: | SEE NOTE 7 |
| INPUT POWER CORD: | SEE IDENTIFICATION TABLE |
| FEATURES | |
| METERING ACCURACY | +1% TO ISO/ IEC 62052-21 |
| METERING ATTRIBUTES | VOLTAGE(V), CURRENT(A), APPARENT POWER(kVA), REAL POWER(kW), POWER FACTOR, ENERGY(kWh) |
| METERED COMPONENTS | INPUT(PHASE) |
| REMOTE OUTLET SWITCHING | YES |
| ENVIRONMENTAL CONDITIONS | |
| OPERATING TEMPERATURE | -5 TO 60 C (23 TO 140 F) |
| STORAGE TEMPERATURE | -20 TO 60 C (-4 TO 140 F) |
| HUMIDITY (OPERATING/STORAGE) | 5-90% RH / 5-95% RH; NON-CONDENSING |
| MAX OPERATING ELEVATION, ABOVE MSL | 3000M(9840FT) |
| COMPLIANCE | |
| SAFETY&ENVIRONMENTAL | RoHS COMPLIANT |

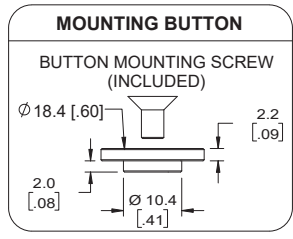
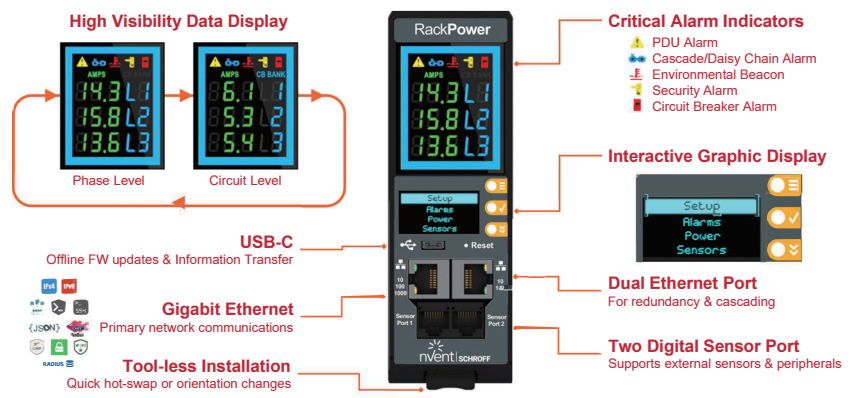
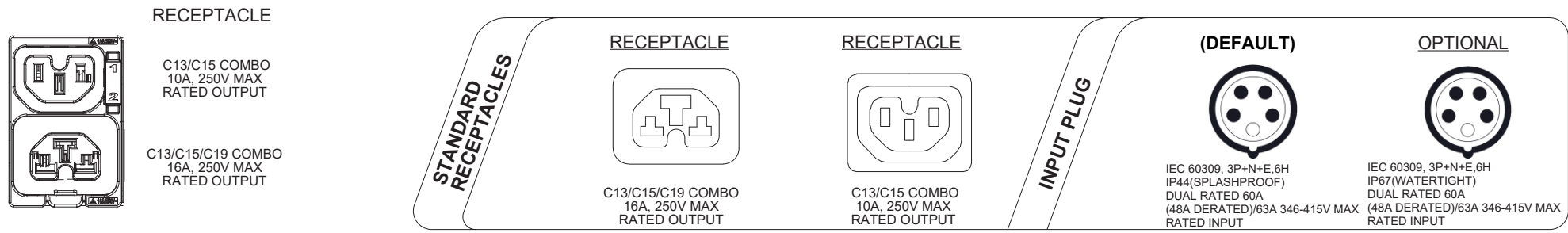
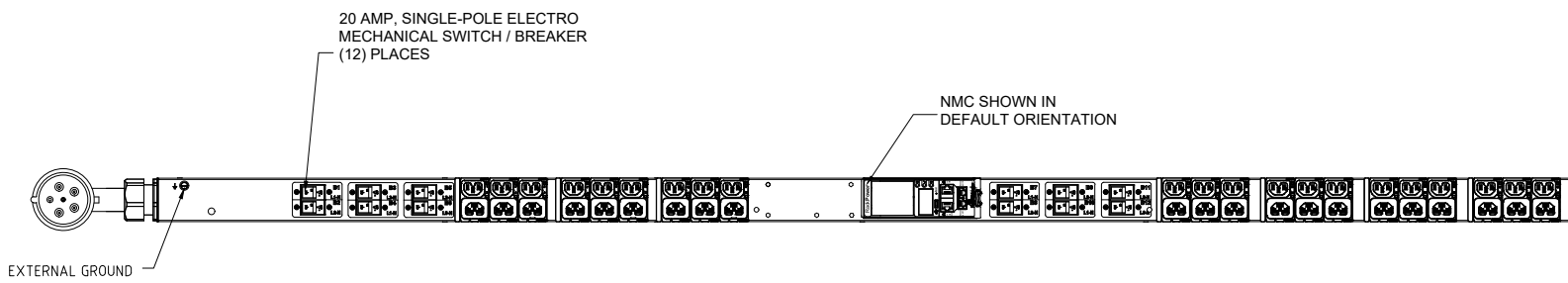
| IDENTIFICATION TABLE | RP 2950 | * | * | * | * |
|--|--|---|---|---|---|
| MODEL IS SHOWN IN DEFAULT CONFIGURATION. FOR OPTIONAL CONFIGURATIONS, USE ITEM IDENTIFIER CODE IN PLACE OF EACH ASTERISK. ORDERABLE BASED ON FORMAT: RP2950**** DO NOT INCLUDE TRAILING ZEROS IN **** SUFFIX | INPUT PLUG | CHASSIS COLOR | CORD OPTION | ORIENTATION | |
| DO NOT INCLUDE TRAILING ZEROS IN **** SUFFIX | (DEFAULT) 563P6 (IP44) = 0 563P6 (IP67) = 2 | (DEFAULT) BLACK = 0 BLUE = B RED = R WHITE = W GREEN = G YELLOW = Y | (DEFAULT) 1.8m [6"] = 0 1m [3.2"] = 1 2m [6.6"] = 2 3m [10"] = 3 | (DEFAULT) TOP FEED = 0 BOTTOM FEED = 2 | |
| OPTIONS LISTED ON THIS ROW ARE NON STANDARD, CONTACT SALES FOR ADDITIONAL INFORMATION | | ORANGE = A | 0.5m [1.6"] = A 1.2m [4"] = G 1.5m [4.9"] = B 1.8m [6"] = F 2.5m [8.2"] = C | | |

- NOTES:**
- INSTALLATION SHALL COMPLY WITH ALL APPLICABLE NATIONAL, STATE AND LOCAL CODES.
 - PRIMARY DIMENSIONS ARE IN MILLIMETERS. SECONDARY DIMENSIONS ARE IN [INCHES]
 - UNIVERSAL MOUNTING BRACKET IS AN ALTERNATIVE MOUNTING METHOD TO THE TOOLLESS MOUNT FOR 3RD PARTY ENCLOSURES. BRACKET IS PROVIDED WITH THE UNIT.
 - DETAILED INSTALLATION INSTRUCTIONS CAN BE FOUND IN THE QUICK START GUIDE
 - CONNECT EXTERNAL EARTH GROUND TO THE 10-32 SIZE THREADED NUT SEE PRODUCT DOCUMENTATION FOR FURTHER INFORMATION
 - INPUT PLUG CONFIGURATION (SEE IDENTIFICATION TABLE) FOR DUAL-RATED UNITS, NEMA PLUGS ARE NAM RATED ONLY AND CAPTIVE AUS/NZ PLUGS ARE EMEA RATED ONLY

THIS DRAWING AND SPECIFICATIONS HEREIN ARE THE PROPERTY OF CIS GLOBAL AND SHALL NOT BE COPIED, REPRODUCED OR USED IN WHOLE OR IN PART, AS THE BASIS FOR THE MANUFACTURE OR SALE OF ITEMS WITHOUT WRITTEN PERMISSION FROM CIS GLOBAL. THIS DRAWING IS BASED UPON LATEST AVAILABLE INFORMATION AND IS SUBJECT TO CHANGE WITHOUT NOTICE

| ECN/ECO | REV. | DESCRIPTION | DATE | APPROVED |
|---------------|------|--|------------|----------|
| ECN-2210-0226 | E2 | REVISE METER ACCURACY AND ATTRIBUTES CONTENT | 2022/10/08 | LRF |
| | E1 | INITIAL DRAFT REVIEW | 2022/04/14 | LRF |

| REVISIONS | | PART NO: | REV. |
|-----------|-----------------------------------|---------------|--------|
| TITLE: | Advantage Series Metered Switched | RP2950WXYZ_DA | E2 |
| PROJECT: | RackPower | DRAWN BY: | LRF |
| | | ENGINEER: | LJB |
| | | APPROVED BY: | Hanson |
| | | SCALE: | N/A |
| | | SHEET | 1 OF 3 |
| | | SIZE: | A3 |



| ECN/ECO | REV. | DESCRIPTION | DATE | APPROVED |
|---------------|------|--|------------|----------|
| ECN-2210-0226 | E2 | REVISE METER ACCURACY AND ATTRIBUTES CONTENT | 2022/10/08 | LRF |
| | E1 | INITIAL DRAFT REVIEW | 2022/04/14 | LRF |

| REVISIONS | | PART NO: | REV. |
|-----------------|-----------------------------------|---------------------|--------------|
| TITLE: | Advantage Series Metered Switched | RP2950WXYZ_DA | E2 |
| PROJECT: | RackPower | DRAWN BY: LRF | 2022/04/14 |
| | | ENGINEER: LJB | 2022/10/08 |
| | | APPROVED BY: Hanson | 2022/10/08 |
| | | SCALE: N/A | SHEET 2 OF 3 |
| | | | A3 |

nvent | SCHROFF

THIS DRAWING AND SPECIFICATIONS HEREIN ARE THE PROPERTY OF CIS GLOBAL AND SHALL NOT BE COPIED, REPRODUCED OR USED IN WHOLE OR IN PART, AS THE BASIS FOR THE MANUFACTURE OR SALE OF ITEMS WITHOUT WRITTEN PERMISSION FROM CIS GLOBAL. THIS DRAWING IS BASED UPON LATEST AVAILABLE INFORMATION AND IS SUBJECT TO CHANGE WITHOUT NOTICE

NOTES:

- INSTALLATION SHALL COMPLY WITH ALL APPLICABLE NATIONAL, STATE AND LOCAL CODES.
- SEE PRODUCT DOCUMENTATION FOR FURTHER INFORMATION

nvent | SCHROFF RackPower Distribution Unit Metered Switched

SKU #: RP2950WXYZ
 Model #: EP122048-0061-C
 INPUT: 200-240/346-415VAC, WYE, 3PHASE, 50/60Hz, 48A
 OUTPUT: C13/C15 COMBO; 200-240VAC, 10A per outlet
 C13/C15/C19 COMBO; 200-240VAC, 16A max per outlet
 48A Total

MAC0 Address: XX-XX-XX-XX-XX
 MAC1 Address: XX-XX-XX-XX-XX

Made in XXXXX

SKU#: RP2950WXYZ
 Serial Number: XXXXXXXXX
 PRODUCT CODE: XXXXX

FC, C, US, 300805

THIS DEVICE COMPLIES WITH PART 15 OF THE FCC RULES. OPERATION IS SUBJECT TO THE FOLLOWING TWO CONDITIONS: (1) THIS DEVICE MAY NOT CAUSE HARMFUL INTERFERENCE AND (2) THIS DEVICE MUST ACCEPT ANY INTERFERENCE RECEIVED, INCLUDING INTERFERENCE THAT MAY CAUSE UNDESIRABLE OPERATION. CAN ICES-3(A)/NMB-3(A)

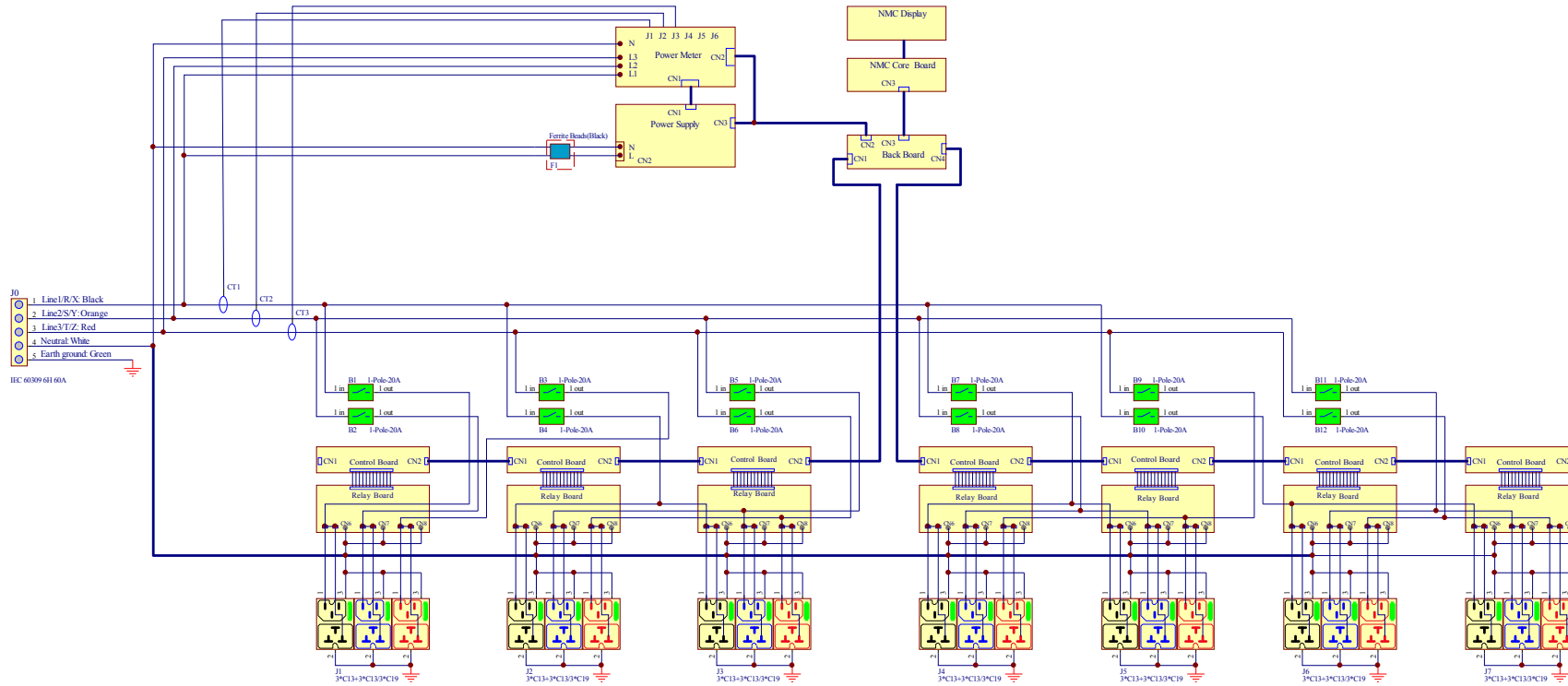
COMPLIANCE LABEL

NOTES:

1. INTERNAL WIRING

| | |
|---------------------|------------------------------|
| WIRE TYPE: | UL AWM 1015, 10 & 12 & 18AWG |
| LINE 1/R/X COLOR: | BLACK |
| LINE 2/S/Y COLOR: | ORANGE |
| LINE 3/T/Z COLOR: | RED |
| NEUTRAL COLOR: | WHITE |
| EARTH GROUND COLOR: | GREEN STRIPE |

2. FOR FINISHED GOOD PART NUMBER SEE IDENTIFICATION



INTERNAL WIRING SCHEMATIC DIAGRAM

- NOTES:
- INSTALLATION SHALL COMPLY WITH ALL APPLICABLE NATIONAL, STATE AND LOCAL CODES.
 - SEE PRODUCT DOCUMENTATION FOR FURTHER INFORMATION
 - THIS DRAWING DEPICTS THE POWER SYSTEM CONNECTIONS AND IS NOT REPRESENTATIVE OF THE PHYSICAL LAYOUT. PLEASE REFER TO MECHANICAL DRAWINGS FOR PHYSICAL LAYOUT.

nvent | SCHROFF

THIS DRAWING AND SPECIFICATIONS HEREIN ARE THE PROPERTY OF CIS GLOBAL AND SHALL NOT BE COPIED, REPRODUCED OR USED IN WHOLE OR IN PART, AS THE BASIS FOR THE MANUFACTURE OR SALE OF ITEMS WITHOUT WRITTEN PERMISSION FROM CIS GLOBAL. THIS DRAWING IS BASED UPON LATEST AVAILABLE INFORMATION AND IS SUBJECT TO CHANGE WITHOUT NOTICE

| | | | | |
|-----------------------------------|------|---|---------------------|--------------|
| ECN-2210-0226 | E2 | REVISE METER ACCURACY AND ATTRIBUTES CONTENT | 2022/10/08 | LRF |
| | E1 | INITIAL DRAFT REVIEW | 2022/04/14 | LRF |
| ECN/ECO | REV. | DESCRIPTION | DATE | APPROVED |
| REVISIONS | | | | |
| TITLE: | | UNLESS NOTED, DIMENSIONS ARE IN MILLIMETERS & TOLERANCES ARE: | PART NO: | REV. |
| Advantage Series Metered Switched | | X: ±1 MM | RP2950WXYZ_DA | E2 |
| | | X.X: ±0.5 MM | DRAWN BY: LRF | 2022/04/14 |
| PROJECT: RackPower | | X.XX: ±0.20 MM | ENGINEER: LJB | 2022/10/08 |
| | | ΦX.X: ±0.3 MM | APPROVED BY: Hanson | 2022/10/08 |
| | | BRACKETED DIMENSIONS ARE IN INCHES FOR REFERENCE ONLY | SCALE: N/A | SHEET 3 OF 3 |
| | | ⊕ THIRD ANGLE PROJECTION | | SIZE: A3 |
| | | INTERPRET PER ASME Y14.5M-1994 | | |