

TECHNICAL SPECIFICATIONS	
UNIT TYPE:	MONITORED SWITCHED
ORIENTATION:	VERTICAL, 0U FULL
OUTLET QTY & TYPE:	(21)C13/C15, (21)C13/C15/C19
INPUT VOLTAGE:	208VAC
INPUT CURRENT:	60A (48A DERATED)
BREAKER QTY & TYPE:	(6) 20AMP, DOUBLE-POLE
INPUT PHASE:	THREE-PHASE, DELTA
RATED POWER:	17.3 KVA
INPUT PLUG:	SEE NOTE 7
INPUT POWER CORD:	SEE IDENTIFICATION TABLE
FEATURES	
METERING ACCURACY	+/-1% TO ISO/ IEC 62052-21
METERING ATTRIBUTES	VOLTAGE(V), CURRENT(A), APPARENT POWER(kVA), REAL POWER(kW), POWER FACTOR, ENERGY(kWh)
METERED COMPONENTS	INPUT(PHASE), CIRCUIT BREAKERS
REMOTE OUTLET SWITCHING	YES
ENVIRONMENTAL CONDITIONS	
OPERATING TEMPERATURE	-5 TO 60 C (23 TO 140 F)
STORAGE TEMPERATURE	-20 TO 60 C (-4 TO 140 F)
HUMIDITY (OPERATING/STORAGE)	5-90% RH / 5-95% RH; NON-CONDENSING
MAX OPERATING ELEVATION, ABOVE MSL	3000M(9840FT)
COMPLIANCE	
SAFETY&ENVIRONMENTAL	RoHS COMPLIANT

IDENTIFICATION TABLE	RP 2952	*	*	*	*
MODEL IS SHOWN IN DEFAULT CONFIGURATION. FOR OPTIONAL CONFIGURATIONS, USE ITEM IDENTIFIER CODE IN PLACE OF EACH ASTERISK. ORDERABLE BASED ON FORMAT: RP2952****	INPUT PLUG	CHASSIS COLOR	CORD OPTION	ORIENTATION	
DO NOT INCLUDE TRAILING ZEROS IN **** SUFFIX	(DEFAULT) 460P9 (IP44) = 0 460P9 (IP67) = Z	(DEFAULT) BLACK = 0 BLUE = B RED = R WHITE = W GREEN = G YELLOW = Y	(DEFAULT) 1.8m [6"] = 0 1m [3.2"] = 1 2m [6.6"] = 2 3m [10"] = 3	(DEFAULT) TOP FEED = 0 BOTTOM FEED = 2	
OPTIONS LISTED ON THIS ROW ARE NON STANDARD, CONTACT SALES FOR ADDITIONAL INFORMATION		ORANGE = A	0.5m [1.6"] = A 1.2m [4"] = G 1.5m [4.9"] = B 1.8m [6"] = F 2.5m [8.2"] = C		

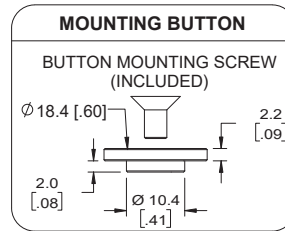
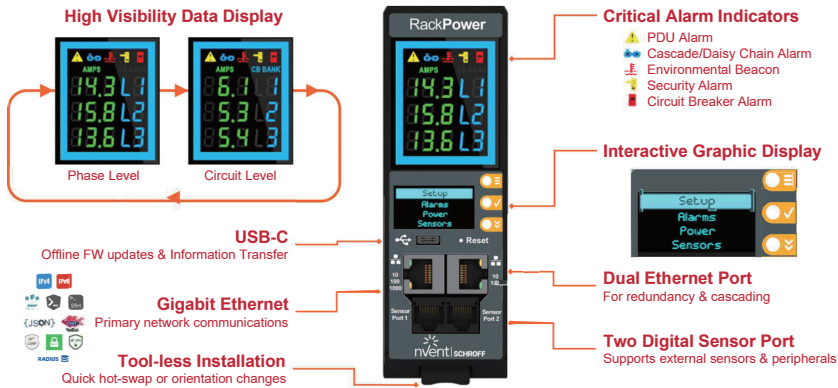
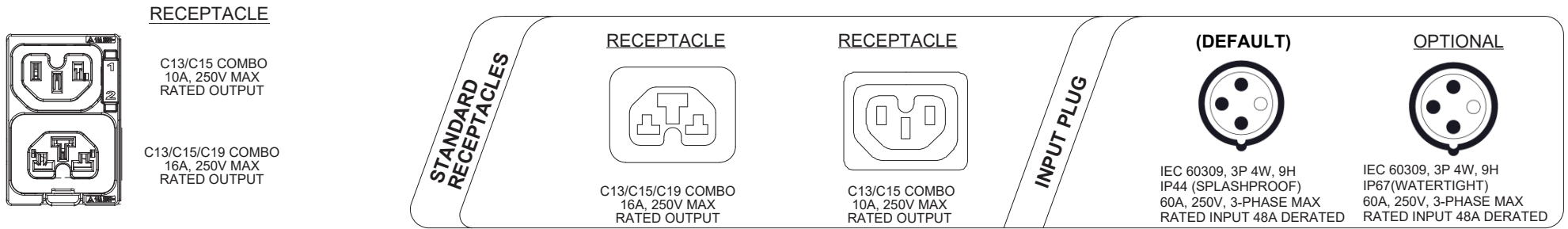
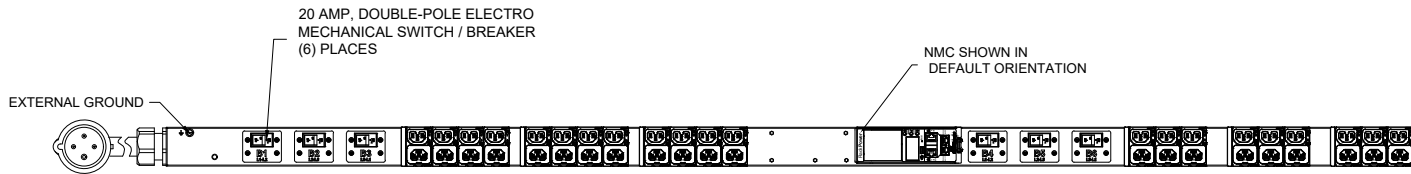
- NOTES :**
- INSTALLATION SHALL COMPLY WITH ALL APPLICABLE NATIONAL, STATE AND LOCAL CODES.
  - PRIMARY DIMENSIONS ARE IN MILLIMETERS. SECONDARY DIMENSIONS ARE IN [INCHES]
  - UNIVERSAL MOUNTING BRACKET IS AN ALTERNATIVE MOUNTING METHOD TO THE TOOLLESS MOUNT FOR 3RD PARTY ENCLOSURES. BRACKET IS PROVIDED WITH THE UNIT.
  - DETAILED INSTALLATION INSTRUCTIONS CAN BE FOUND IN THE QUICK START GUIDE
  - CONNECT EXTERNAL EARTH GROUND TO THE 10-32 SIZE THREADED NUT SEE PRODUCT DOCUMENTATION FOR FURTHER INFORMATION
  - INPUT PLUG CONFIGURATION (SEE IDENTIFICATION TABLE) FOR DUAL-RATED UNITS, NEMA PLUGS ARE NAM RATED ONLY AND CAPTIVE AUS/NZ PLUGS ARE EMEA RATED ONLY

THIS DRAWING AND SPECIFICATIONS HEREIN ARE THE PROPERTY OF CIS GLOBAL AND SHALL NOT BE COPIED, REPRODUCED OR USED IN WHOLE OR IN PART, AS THE BASIS FOR THE MANUFACTURE OR SALE OF ITEMS WITHOUT WRITTEN PERMISSION FROM CIS GLOBAL. THIS DRAWING IS BASED UPON LATEST AVAILABLE INFORMATION AND IS SUBJECT TO CHANGE WITHOUT NOTICE

ECN/ECO	REV.	DESCRIPTION	DATE	APPROVED
ECN-2210-0226	E2	REVISE METER ACCURACY AND ATTRIBUTES CONTENT	2022/10/08	LRF
	E1	INITIAL DRAFT REVIEW	2022/04/14	LRF

REVISIONS	
<b>TITLE :</b>	UNLESS NOTED, DIMENSIONS ARE IN MILLIMETERS & TOLERANCES ARE: X ±1 MM X° ±1° XX ±0.5 MM X.X° ±0.5° X ±0.20 MM X ±0.3 MM Ø XX ±0.3 MM Ø XXX ±0.10 MM
<b>PROJECT :</b>	BRACKETED DIMENSIONS ARE IN INCHES FOR REFERENCE ONLY Ⓢ THRID ANGLE PROJECTION INTERPRET PER ASME Y14.5M-1994
<b>Advantage Series Metered Switched</b>	<b>PART NO:</b> RP2952WXYZ_DA <b>REV.:</b> E1 <b>DRAWN BY:</b> LRF 2022/04/14 <b>ENGINEER:</b> LJB 2022/04/21 <b>APPROVED BY:</b> Hanson 2022/04/21
<b>RackPower</b>	<b>SCALE :</b> N/A <b>SHEET 1 OF 3</b> <b>SIZE:</b> A3



ECN/ECO	REV.	DESCRIPTION	DATE	APPROVED
ECN-2210-0226	E2	REVISE METER ACCURACY AND ATTRIBUTES CONTENT	2022/10/08	LRF
	E1	INITIAL DRAFT REVIEW	2022/04/14	LRF

REVISIONS		PART NO:	REV.
<b>TITLE:</b>	Advantage Series Metered Switched	RP2952WXYZ_DA	E2
<b>PROJECT:</b>	RackPower	<b>DRAWN BY:</b> LRF	2022/04/14
		<b>ENGINEER:</b> LJB	2022/10/08
		<b>APPROVED BY:</b> Hanson	2022/10/08
		SCALE: N/A	SHEET 2 OF 3
			A3

UNLESS NOTED, DIMENSIONS ARE IN MILLIMETERS & TOLERANCES ARE:  
 X. ±1 MM X° ±1°  
 X.X ±0.5 MM X.X° ±0.5°  
 X.XX ±0.20 MM  
 Ø X.X ±0.3 MM  
 Ø X.XX ±0.10 MM  
 BRACKETED DIMENSIONS ARE IN INCHES FOR REFERENCE ONLY  
 THIRD ANGLE PROJECTION  
 INTERPRET PER ASME Y14.5M-1994

**NOTES:**

- INSTALLATION SHALL COMPLY WITH ALL APPLICABLE NATIONAL, STATE AND LOCAL CODES.
- SEE PRODUCT DOCUMENTATION FOR FURTHER INFORMATION

**nvent | SCHROFF**

THIS DRAWING AND SPECIFICATIONS HEREIN ARE THE PROPERTY OF CIS GLOBAL AND SHALL NOT BE COPIED, REPRODUCED OR USED IN WHOLE OR IN PART, AS THE BASIS FOR THE MANUFACTURE OR SALE OF ITEMS WITHOUT WRITTEN PERMISSION FROM CIS GLOBAL. THIS DRAWING IS BASED UPON LATEST AVAILABLE INFORMATION AND IS SUBJECT TO CHANGE WITHOUT NOTICE

**nvent | SCHROFF** RackPower Distribution Unit Metered Switched Made in XXXXX

SKU #: RP2952WXYZ  
 Model #: EP124048-0061-C  
 INPUT: 200-240VAC, DELTA, 3PHASE, 50/60Hz, 48A  
 OUTPUT: C13/C15 COMBO; 200-240VAC, 10A per outlet  
 C13/C15/C19 COMBO; 200-240VAC, 16A max per outlet  
 48A Total

MAC0 Address: XX-XX-XX-XX-XX-XX  
 MAC1 Address: XX-XX-XX-XX-XX-XX

THIS DEVICE COMPLIES WITH PART 15 OF THE FCC RULES. OPERATION IS SUBJECT TO THE FOLLOWING TWO CONDITIONS: (1) THIS DEVICE MAY NOT CAUSE HARMFUL INTERFERENCE AND (2) THIS DEVICE MUST ACCEPT ANY INTERFERENCE RECEIVED, INCLUDING INTERFERENCE THAT MAY CAUSE UNDESIRABLE OPERATION. CAN ICES-3(A)/NMB-3(A)

COMPLIANCE LABEL

NOTES:

1. INTERNAL WIRING

WIRE TYPE:

UL AWM 1015, 10 & 12 & 18 AWG

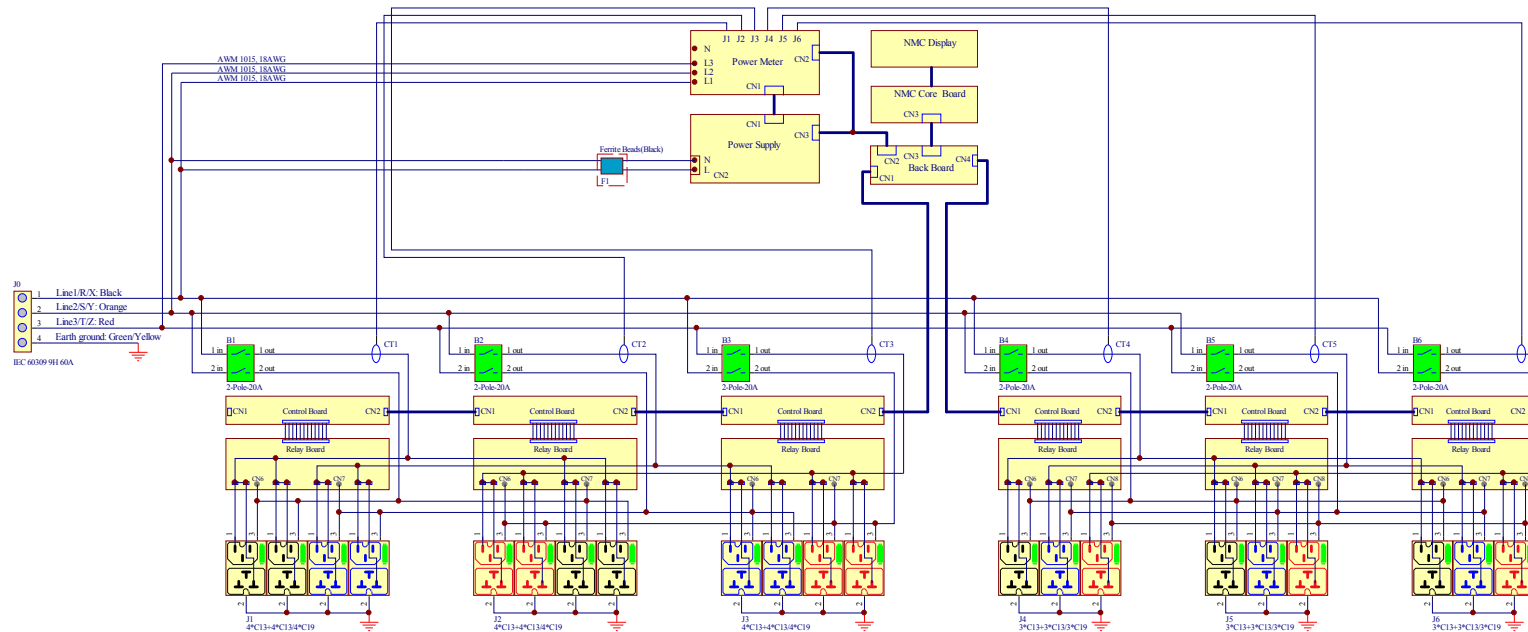
LINE 1/R/X COLOR: Black

LINE 2/S/Y COLOR: Orange

LINE 3/T/Z COLOR: Red

EARTH GROUND COLOR: Green/Yellow

2. FOR FINISHED GOOD PART NUMBER SEE IDENTIFICATION



INTERNAL WIRING SCHEMATIC DIAGRAM

- NOTES:
- INSTALLATION SHALL COMPLY WITH ALL APPLICABLE NATIONAL, STATE AND LOCAL CODES.
  - SEE PRODUCT DOCUMENTATION FOR FURTHER INFORMATION
  - THIS DRAWING DEPICTS THE POWER SYSTEM CONNECTIONS AND IS NOT REPRESENTATIVE OF THE PHYSICAL LAYOUT. PLEASE REFER TO MECHANICAL DRAWINGS FOR PHYSICAL LAYOUT.

**nvent | SCHROFF**

THIS DRAWING AND SPECIFICATIONS HEREIN ARE THE PROPERTY OF CIS GLOBAL AND SHALL NOT BE COPIED, REPRODUCED OR USED IN WHOLE OR IN PART, AS THE BASIS FOR THE MANUFACTURE OR SALE OF ITEMS WITHOUT WRITTEN PERMISSION FROM CIS GLOBAL. THIS DRAWING IS BASED UPON LATEST AVAILABLE INFORMATION AND IS SUBJECT TO CHANGE WITHOUT NOTICE

ECN-2210-0226	E2	REVISE METER ACCURACY AND ATTRIBUTES CONTENT	2022/10/08	LRF
	E1	INITIAL DRAFT REVIEW	2022/04/14	LRF
ECN/ECO	REV.	DESCRIPTION	DATE	APPROVED

REVISIONS				
TITLE:	UNLESS NOTED, DIMENSIONS ARE IN MILLIMETERS & TOLERANCES ARE:	PART NO:	REV.	
Advantage Series Metered Switched	X: ±1 MM	RP2952WXYZ_DA	E2	
	X.X ±0.5 MM			
	X.XX ±0.20 MM			DRAWN BY: LRF
	Ø X.X ±0.3 MM			ENGINEER: LJB
	Ø X.XX ±0.10 MM	APPROVED BY: Hanson		2022/10/08
PROJECT: RackPower	BRACKETED DIMENSIONS ARE IN INCHES FOR REFERENCE ONLY	SCALE: N/A		
	⊕ THIRD ANGLE PROJECTION			
	INTERPRET PER ASME Y14.5M-1994			
				SHEET 3 OF 3
				A3