

TECHNICAL SPECIFICATIONS	
UNIT TYPE:	MONITORED & SWITCHED PER OUTLET
ORIENTATION:	VERTICAL, 0U FULL
OUTLET QTY & TYPE:	(21)C13/C15, (21)C13/C15/C19
INPUT VOLTAGE:	208VAC
INPUT CURRENT:	50A(40A DERATED)
BREAKER QTY & TYPE:	(6) 20AMP, DOUBLE-POLE
INPUT PHASE:	THREE-PHASE, DELTA
RATED POWER:	14.4 KVA
INPUT PLUG:	SEE NOTE 7
INPUT POWER CORD:	SEE IDENTIFICATION TABLE
FEATURES	
METERING ACCURACY	+/-1% TO ISO/ IEC 62052-21
METERING ATTRIBUTES	VOLTAGE(V), CURRENT(A), APPARENT POWER(kVA), REAL POWER(kW), POWER FACTOR, ENERGY(kWh)
METERED COMPONENTS	INPUT(PHASE), CIRCUIT BREAKERS, OUTLETS
REMOTE OUTLET SWITCHING	YES
ENVIRONMENTAL CONDITIONS	
OPERATING TEMPERATURE	-5 TO 60 C (23 TO 140 F)
STORAGE TEMPERATURE	-20 TO 60 C (-4 TO 140 F)
HUMIDITY (OPERATING/STORAGE)	5-90% RH / 5-95% RH; NON-CONDENSING
MAX OPERATING ELEVATION, ABOVE MSL	3000M(9840FT)
COMPLIANCE	
SAFETY&ENVIRONMENTAL	RoHS COMPLIANT

IDENTIFICATION TABLE	RP 6951	*	*	*	*
MODEL IS SHOWN IN DEFAULT CONFIGURATION. FOR OPTIONAL CONFIGURATIONS, USE ITEM IDENTIFIER CODE IN PLACE OF EACH ASTERISK. ORDERABLE BASED ON FORMAT: RP6951****	DO NOT INCLUDE TRAILING ZEROS IN **** SUFFIX	INPUT PLUG	CHASSIS COLOR	CORD OPTION	ORIENTATION
DO NOT INCLUDE TRAILING ZEROS IN **** SUFFIX		(DEFAULT) CS8365=0	(DEFAULT) BLACK = 0 BLUE = B RED = R GREEN = G WHITE = W YELLOW = Y	(DEFAULT) 1.8m [6"] = 0 1m [3.2"] = 1 2m [6.6"] = 2 3m [10"] = 3	(DEFAULT) TOP FEED = 0 BOTTOM FEED = 2
OPTIONS LISTED ON THIS ROW ARE NON STANDARD. CONTACT SALES FOR ADDITIONAL INFORMATION			ORANGE = A	0.5m [1.6"] = A 1.5m [4.9"] = B 2.5m [8.2"] = C	

- NOTES :**
- INSTALLATION SHALL COMPLY WITH ALL APPLICABLE NATIONAL, STATE AND LOCAL CODES.
 - PRIMARY DIMENSIONS ARE IN MILLIMETERS. SECONDARY DIMENSIONS ARE IN [INCHES]
 - UNIVERSAL MOUNTING BRACKET IS AN ALTERNATIVE MOUNTING METHOD TO THE TOOLLESS MOUNT FOR 3RD PARTY ENCLOSURES. BRACKET IS PROVIDED WITH THE UNIT.
 - DETAILED INSTALLATION INSTRUCTIONS CAN BE FOUND IN THE QUICK START GUIDE
 - CONNECT EXTERNAL EARTH GROUND TO THE 10-32 SIZE THREADED NUT SEE PRODUCT DOCUMENTATION FOR FURTHER INFORMATION
 - INPUT PLUG CONFIGURATION (SEE IDENTIFICATION TABLE) FOR DUAL-RATED UNITS, NEMA PLUGS ARE NAM RATED ONLY AND CAPTIVE AUS/NZ PLUGS ARE EMEA RATED ONLY

ECN/ECO	REV.	DESCRIPTION	DATE	APPROVED
ECN-2210-0226	E2	REVISE METER ACCURACY AND ATTRIBUTES CONTENT	2022/10/08	LRF
	E1	INITIAL DRAFT REVIEW	2022/04/21	LRF

THIS DRAWING AND SPECIFICATIONS HEREIN ARE THE PROPERTY OF CIS GLOBAL AND SHALL NOT BE COPIED, REPRODUCED OR USED IN WHOLE OR IN PART, AS THE BASIS FOR THE MANUFACTURE OR SALE OF ITEMS WITHOUT WRITTEN PERMISSION FROM CIS GLOBAL. THIS DRAWING IS BASED UPON LATEST AVAILABLE INFORMATION AND IS SUBJECT TO CHANGE WITHOUT NOTICE

TITLE : Advantage Series
Metered & Switched per outlet

PROJECT : RackPower

UNLESS NOTED, DIMENSIONS ARE IN MILLIMETERS & TOLERANCES ARE:
 X ±1 MM X° ±1°
 XX ±0.5 MM XX° ±0.5°
 X ±0.20 MM
 Ø XX ±0.3 MM
 Ø XXX ±0.10 MM

BRACKETED DIMENSIONS ARE IN INCHES FOR REFERENCE ONLY
 Ⓢ THRID ANGLE PROJECTION
 INTERPRET PER ASME Y14.5M-1994

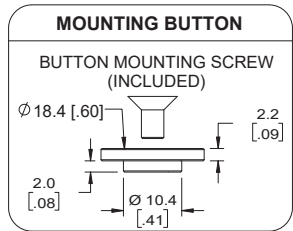
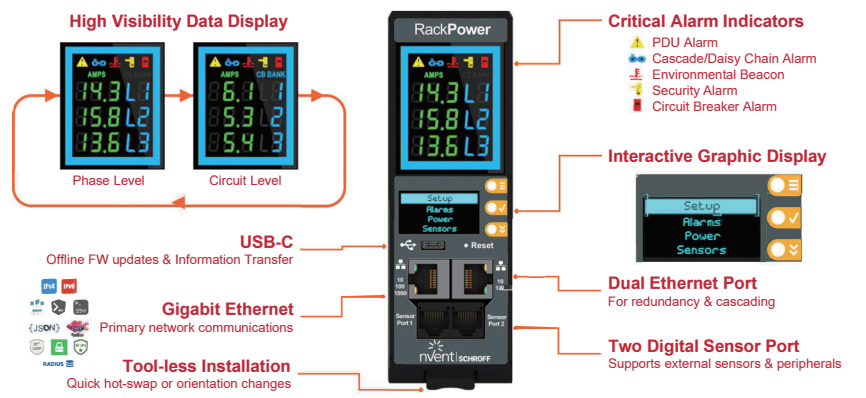
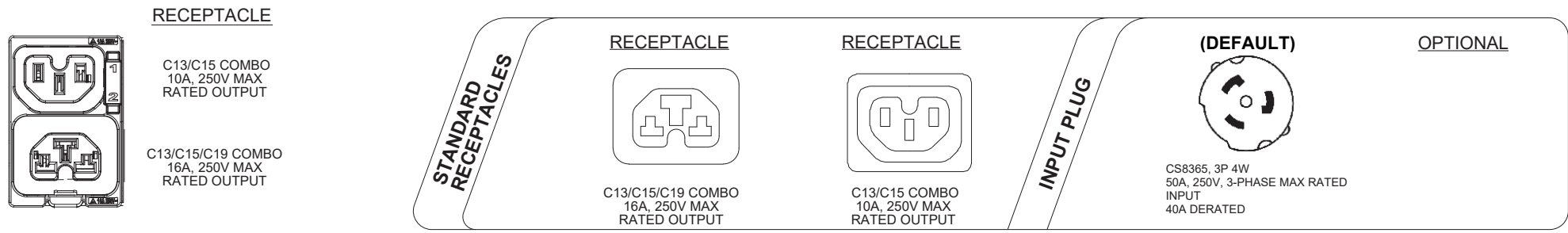
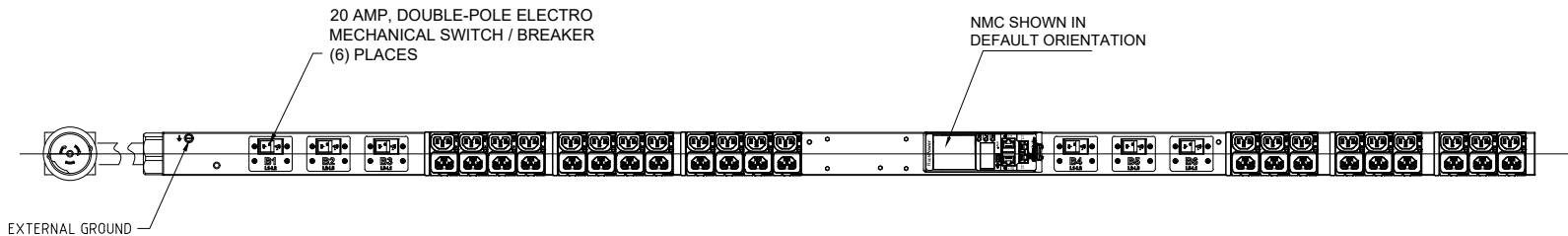
PART NO: RP6951WXYZ_DA
REV.: E2

DRAWN BY: LRF
ENGINEER: LJB
APPROVED BY: Hanson

2022/04/21
 2022/10/08
 2022/10/08

SCALE : N/A

SHEET 1 OF 3
 SIZE: A3



ECN/ECO	REV.	DESCRIPTION	DATE	APPROVED
ECN-2210-0226	E2	REVISE METER ACCURACY AND ATTRIBUTES CONTENT	2022/10/08	LRF
	E1	INITIAL DRAFT REVIEW	2022/04/21	LRF

REVISIONS		PART NO:		REV.	
TITLE:		RP6951WXYZ_DA		E2	
PROJECT:		DRAWN BY:		2022/04/21	
Advantage Series		ENGINEER:		2022/10/08	
Metered & Switched per outlet		APPROVED BY:		2022/10/08	
UNLESS NOTED, DIMENSIONS ARE IN MILLIMETERS & TOLERANCES ARE:		SCALE: N/A		SHEET 2 OF 3	
X. ±1 MM X* ±1°				SIZE: A3	
X.X ±0.5 MM X.X* ±0.5°					
X.XX ±0.20 MM					
Ø X.X ±0.3 MM					
Ø X.XX ±0.10 MM					
BRACKETED DIMENSIONS ARE IN INCHES FOR REFERENCE ONLY					
⊕ THIRD ANGLE PROJECTION					
INTERPRET PER ASME Y14.5M-1994					

nvent | SCHROFF

THIS DRAWING AND SPECIFICATIONS HEREIN ARE THE PROPERTY OF CIS GLOBAL AND SHALL NOT BE COPIED, REPRODUCED OR USED IN WHOLE OR IN PART, AS THE BASIS FOR THE MANUFACTURE OR SALE OF ITEMS WITHOUT WRITTEN PERMISSION FROM CIS GLOBAL. THIS DRAWING IS BASED UPON LATEST AVAILABLE INFORMATION AND IS SUBJECT TO CHANGE WITHOUT NOTICE

NOTES:

- INSTALLATION SHALL COMPLY WITH ALL APPLICABLE NATIONAL, STATE AND LOCAL CODES.
- SEE PRODUCT DOCUMENTATION FOR FURTHER INFORMATION

nvent | SCHROFF RackPower Distribution Unit
Metered & Switched per outlet

SKU #: RP6951WXYZ
Model #: EP164040-0061-C
INPUT: 200-240VAC, DELTA, 3PHASE, 50/60Hz, 40A
OUTPUT: C13/C15 COMBO; 200-240VAC, 10A per outlet
C13/C15/C19 COMBO; 200-240VAC, 16A max per outlet
40A Total

MAC0 Address: XX-XX-XX-XX-XX
MAC1 Address: XX-XX-XX-XX-XX

Made in XXXXX

SKUP: RP6951WXYZ
Serial Number: XXXXXXXX
PRODUCT CODE: XXXXX

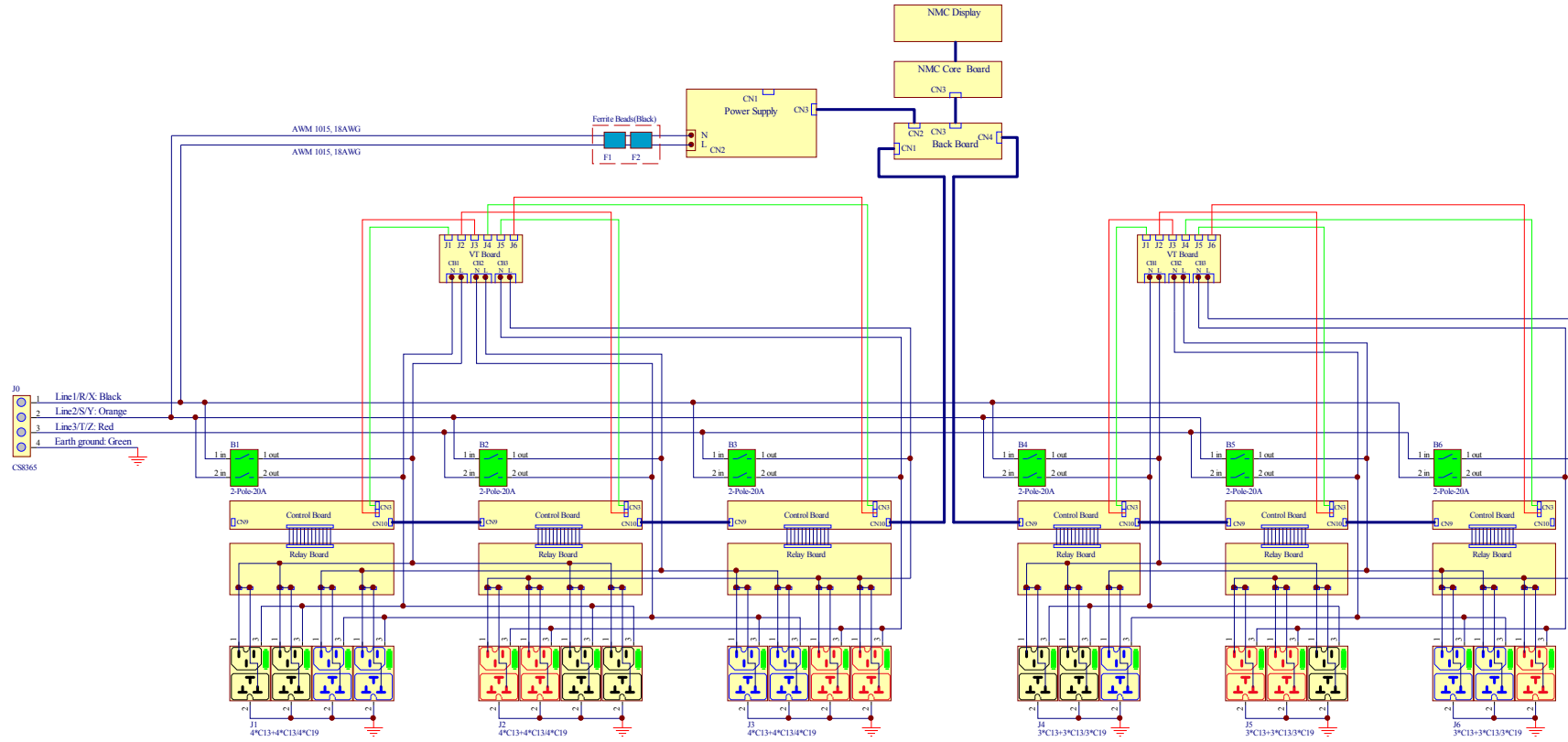
FC, CE, RoHS, ISO 9001

THIS DEVICE COMPLIES WITH PART 15 OF THE FCC RULES. OPERATION IS SUBJECT TO THE FOLLOWING TWO CONDITIONS: (1) THIS DEVICE MAY NOT CAUSE HARMFUL INTERFERENCE AND (2) THIS DEVICE MUST ACCEPT ANY INTERFERENCE RECEIVED, INCLUDING INTERFERENCE THAT MAY CAUSE UNDESIRABLE OPERATION. CAN ICES-3(A)/NMB-3(A)

COMPLIANCE LABEL

NOTES:

1. INTERNAL WIRING
WIRE TYPE: UL AWM 1015, 10 & 12 & 18 AWG
LINE 1/R/X COLOR: BLACK
LINE 2/S/Y COLOR: ORANGE
LINE 3/T/Z COLOR: RED
EARTH GROUND COLOR: GREEN
2. FOR FINISHED GOOD PART NUMBER SEE IDENTIFICATION



INTERNAL WIRING SCHEMATIC DIAGRAM

- NOTES:
- INSTALLATION SHALL COMPLY WITH ALL APPLICABLE NATIONAL, STATE AND LOCAL CODES.
 - SEE PRODUCT DOCUMENTATION FOR FURTHER INFORMATION
 - THIS DRAWING DEPICTS THE POWER SYSTEM CONNECTIONS AND IS NOT REPRESENTATIVE OF THE PHYSICAL LAYOUT. PLEASE REFER TO MECHANICAL DRAWINGS FOR PHYSICAL LAYOUT.

nvent | SCHROFF

THIS DRAWING AND SPECIFICATIONS HEREIN ARE THE PROPERTY OF CIS GLOBAL AND SHALL NOT BE COPIED, REPRODUCED OR USED IN WHOLE OR IN PART, AS THE BASIS FOR THE MANUFACTURE OR SALE OF ITEMS WITHOUT WRITTEN PERMISSION FROM CIS GLOBAL. THIS DRAWING IS BASED UPON LATEST AVAILABLE INFORMATION AND IS SUBJECT TO CHANGE WITHOUT NOTICE

ECN-2210-0226	E2	REVISE METER ACCURACY AND ATTRIBUTES CONTENT	2022/10/08	LRF
	E1	INITIAL DRAFT REVIEW	2022/04/21	LRF
ECN/ECO	REV.	DESCRIPTION	DATE	APPROVED

REVISIONS				
TITLE:	Advantage Series Metered & Switched per outlet		PROJECT:	RackPower
UNLESS NOTED, DIMENSIONS ARE IN MILLIMETERS & TOLERANCES ARE:	X: ±1 MM	X*: ±1°	PART NO:	RP6951WXYZ_DA
	X.X: ±0.5 MM	X.X*: ±0.5°	DRAWN BY:	LRF
	X.XX: ±0.20 MM		ENGINEER:	LJB
	Ø.XX: ±0.3 MM		APPROVED BY:	Hanson
	Ø.XX.XX: ±0.10 MM		SCALE:	N/A
			SHEET	3 OF 3
			SIZE:	A3
			REV.	E2
			DATE	2022/04/21
			DATE	2022/10/08
			DATE	2022/10/08