

Floor standing enclosures Seismic kit SBK Z4

MOUNTING INSTRUCTIONS

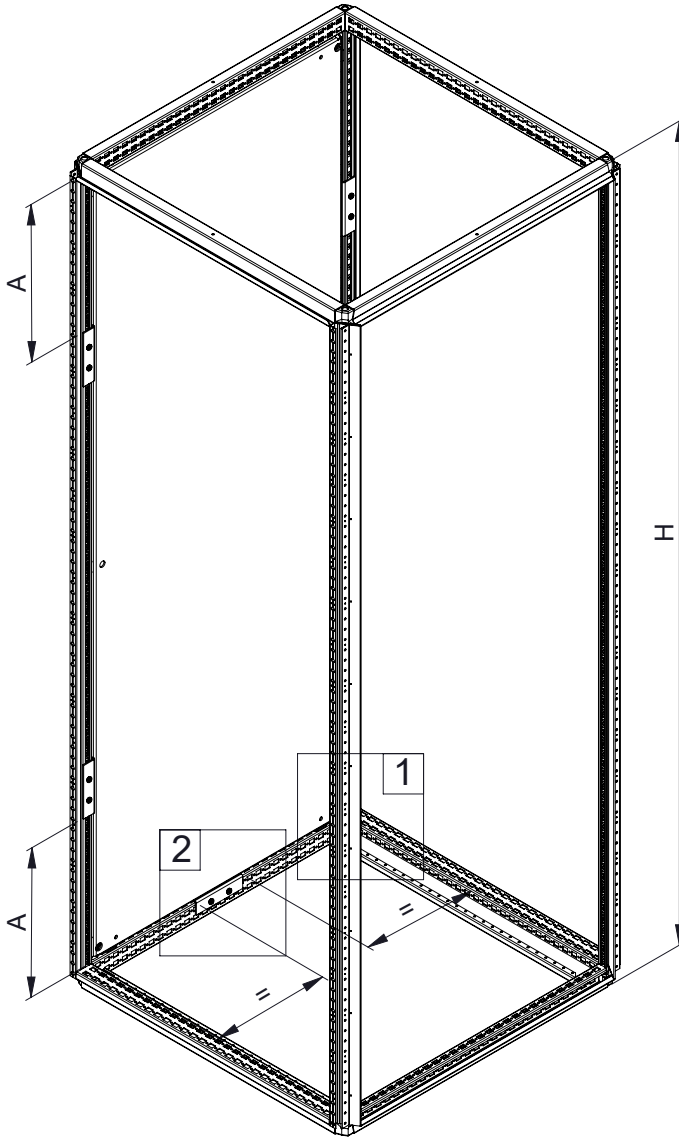
7697-0311-03 REV. 0





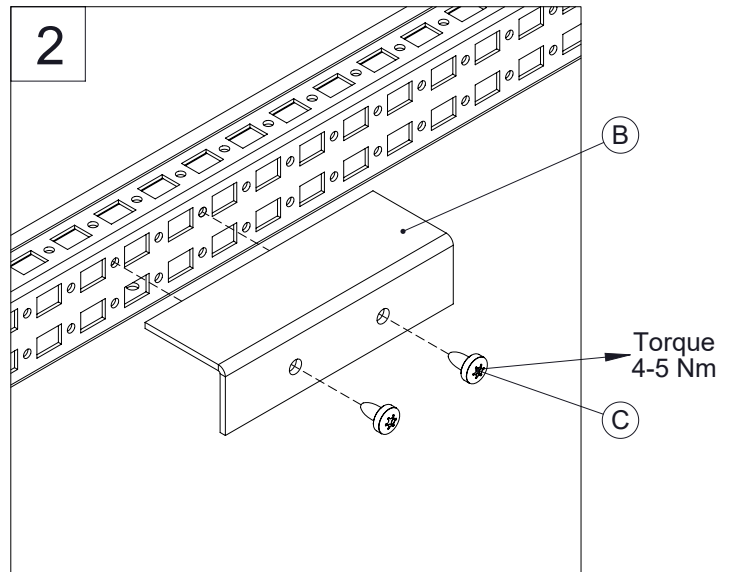
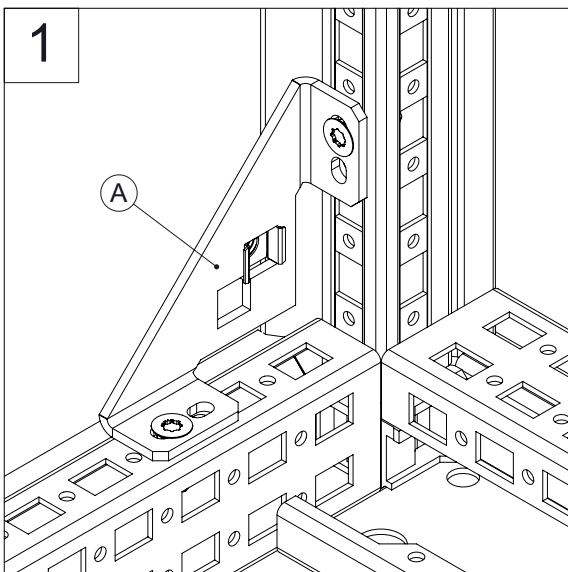
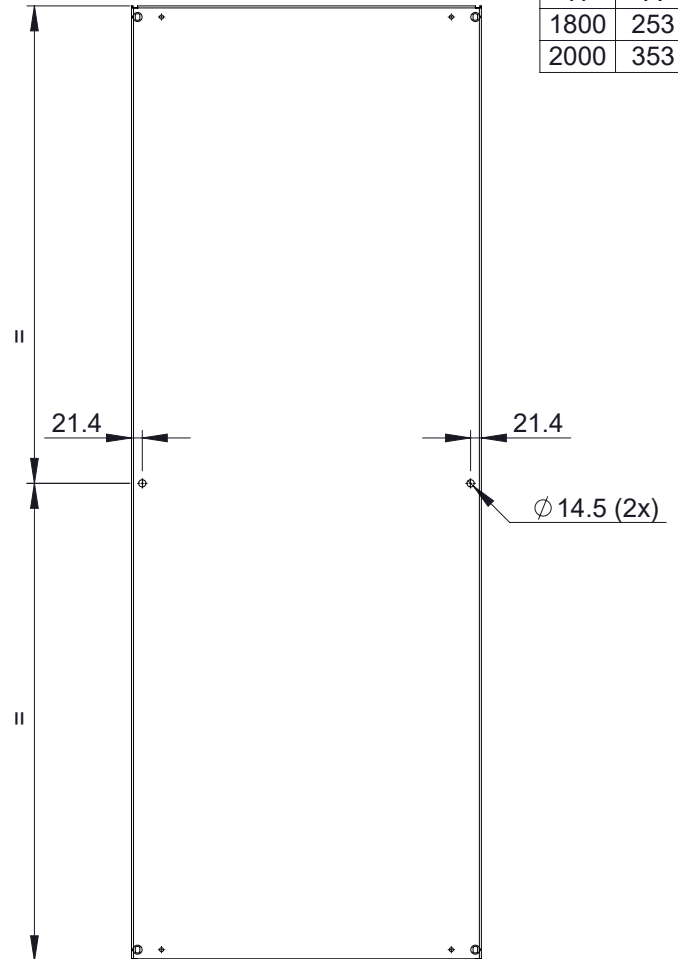
SBK Mounting plate

Ref.	Pic.	Qty.
A	MPS04 KIT	1
B		5
C	M6x12	10



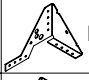
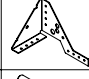


Holes required

H	A
1800	253
2000	353

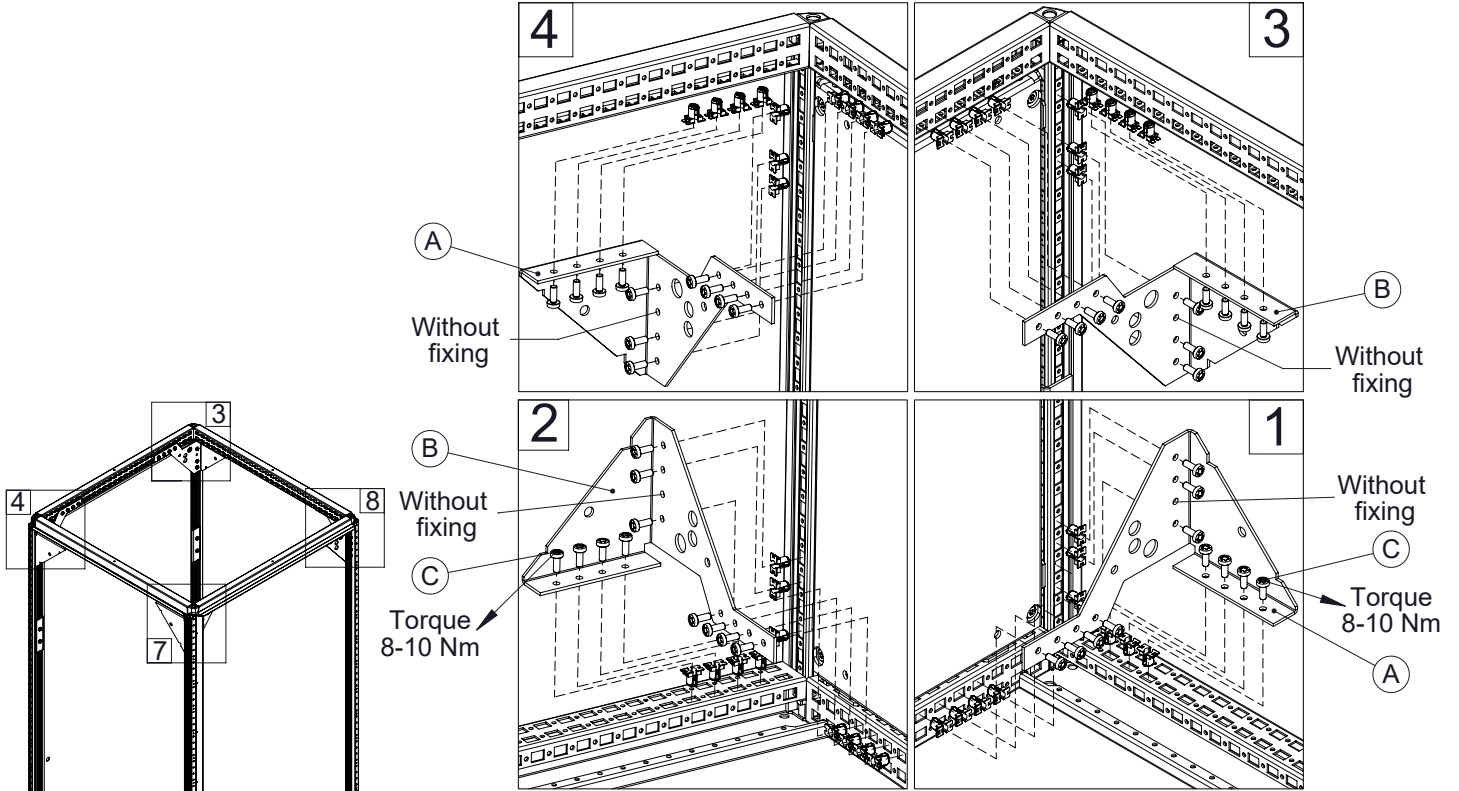




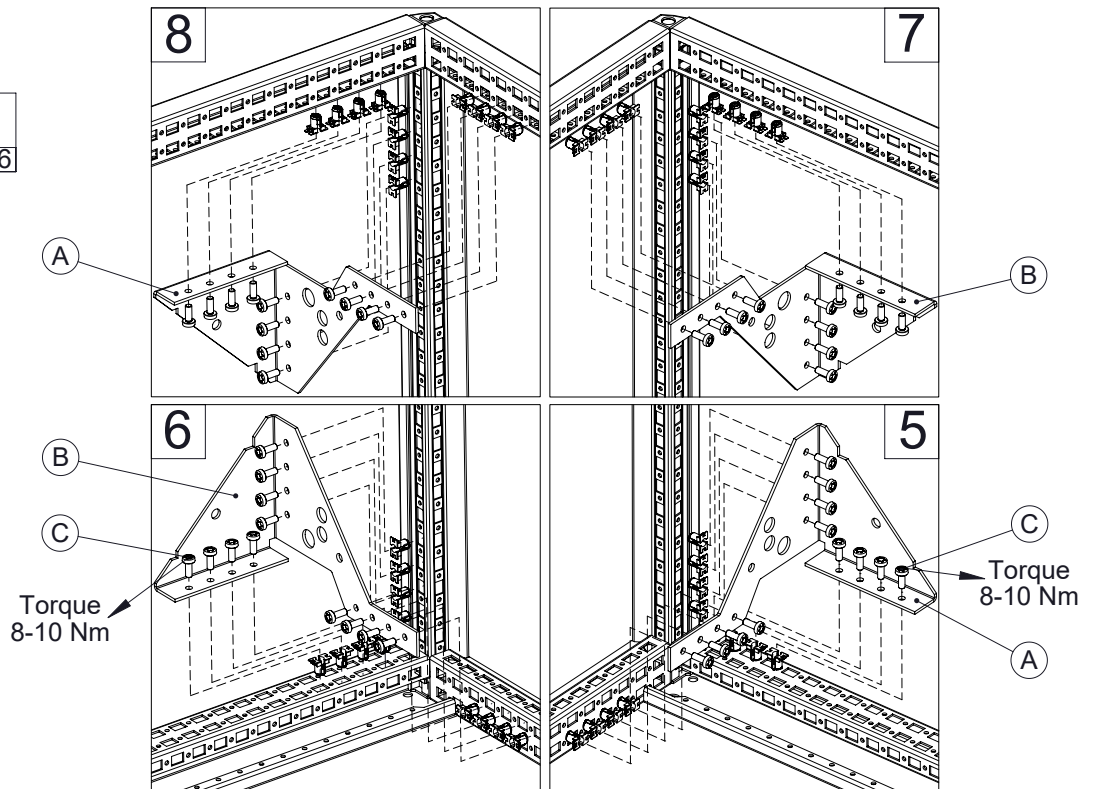
SBK Corner brackets

Ref.	Pic.	Qty.
A	 Right	4
B	 Left	4
C	 M6x16	88
D	 M6	88

REAR MOUNTING



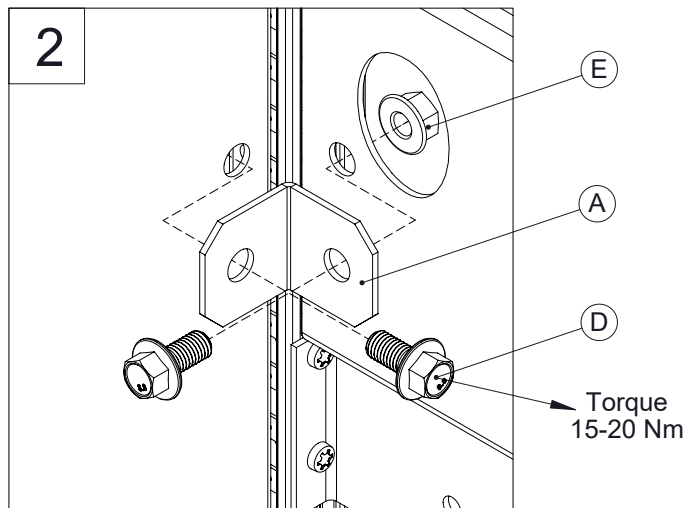
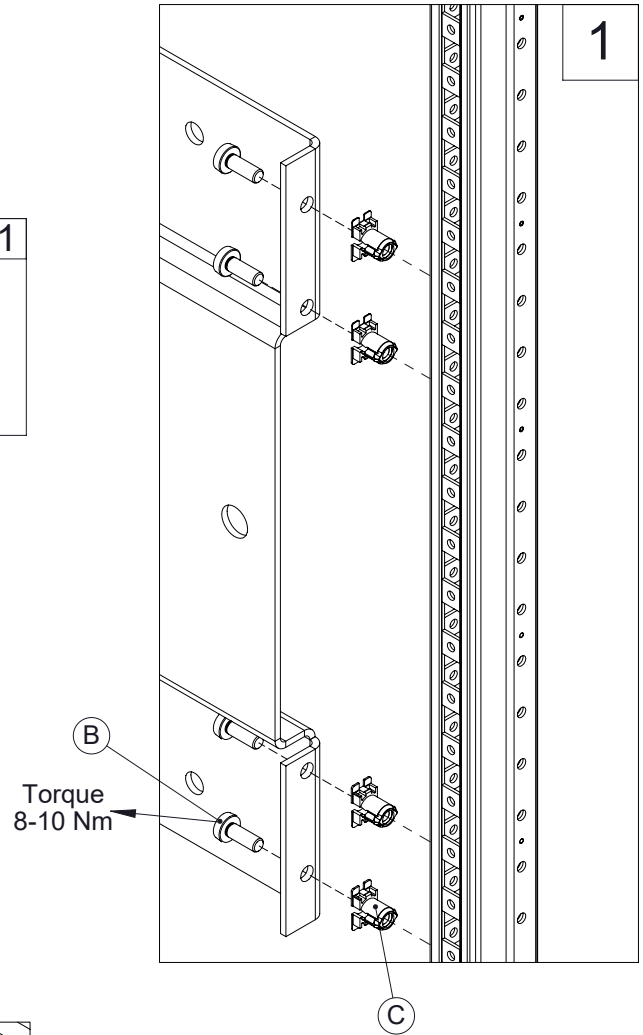
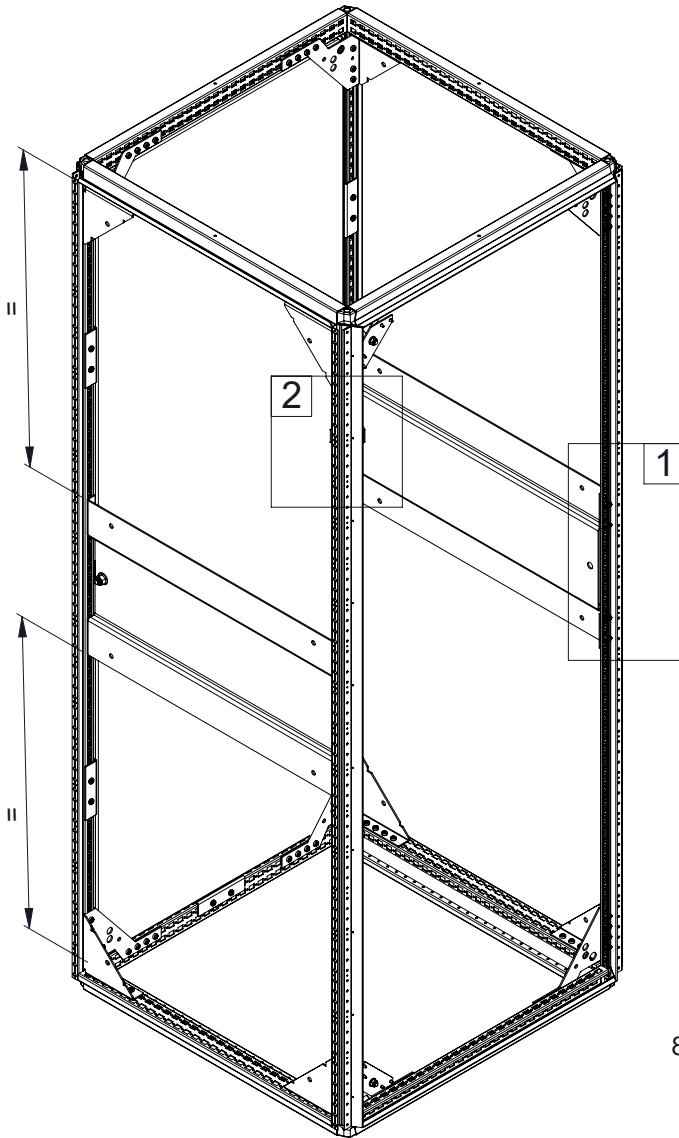
FRONT MOUNTING







SBK Side plate

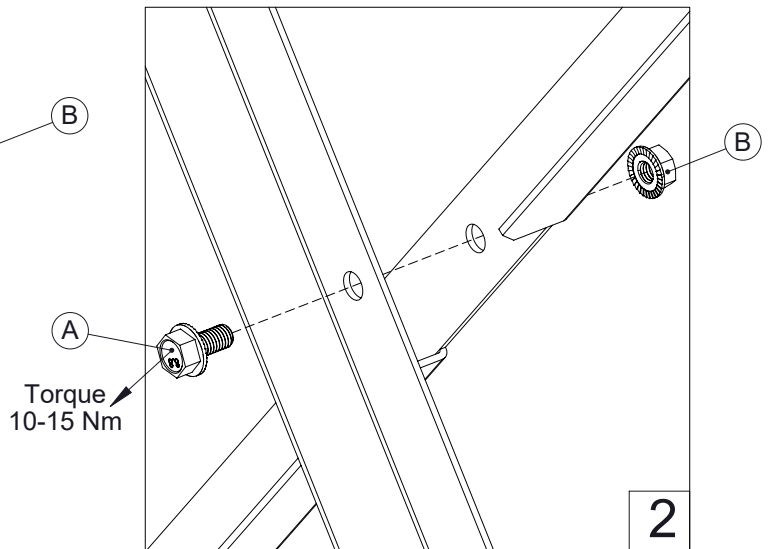
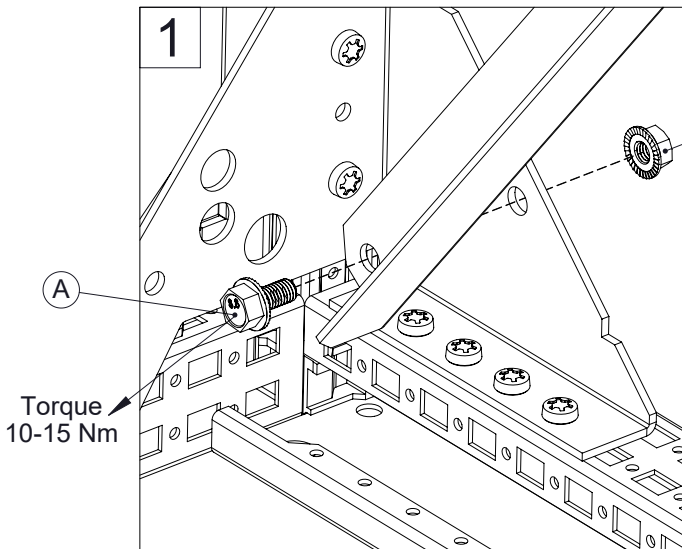
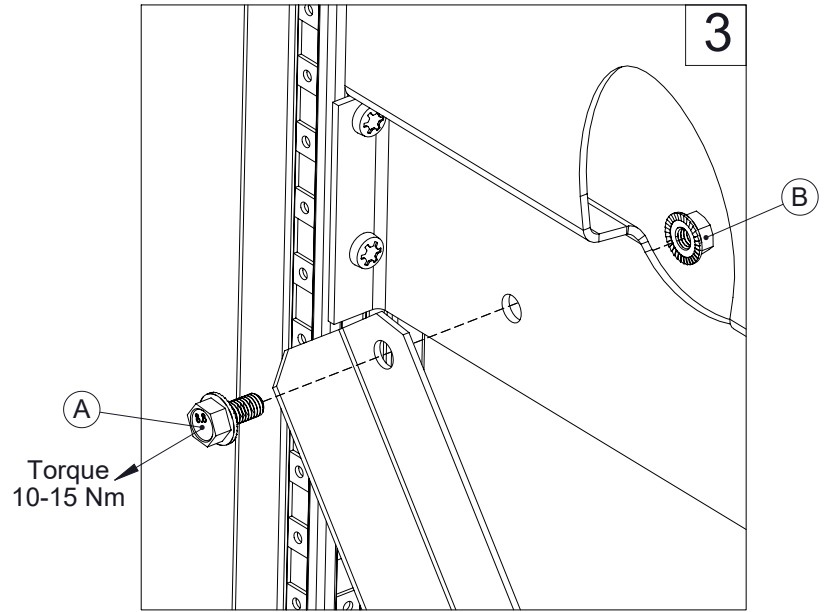
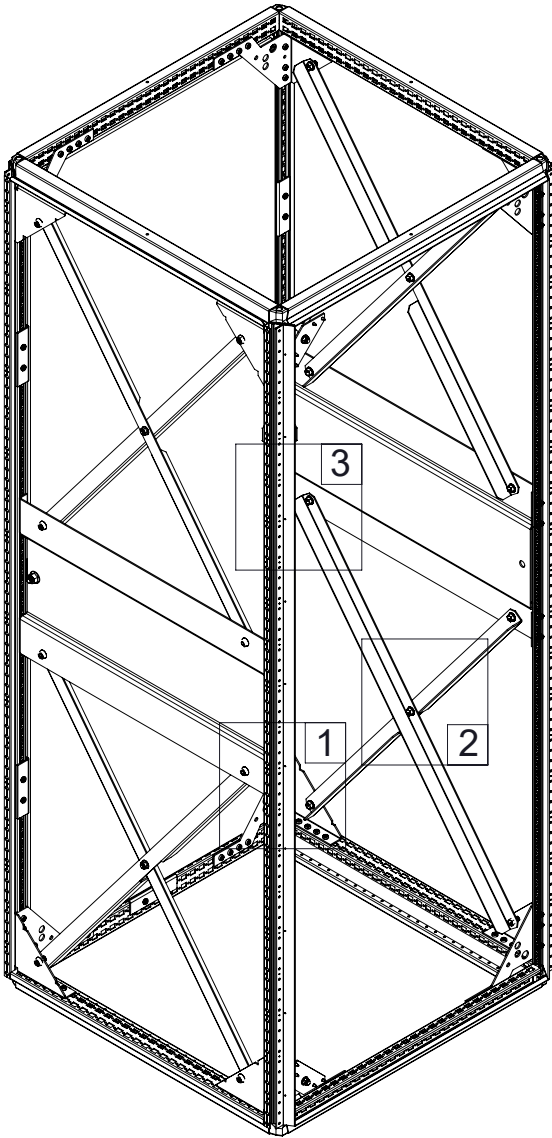
Ref.	Pic.	Qty.
A		2
B	M6x16	16
C		16
D	M12x25	4
E		4





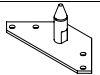

SBK Crossbar

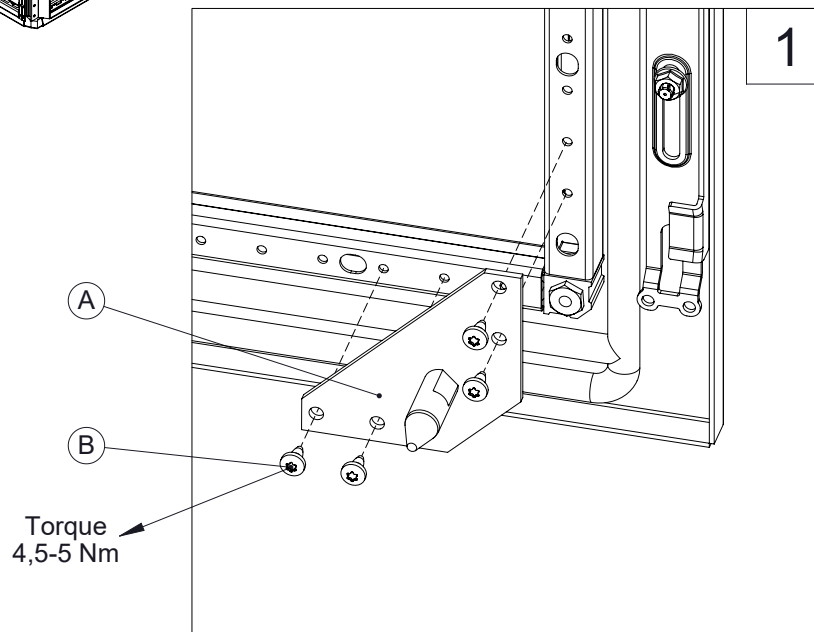
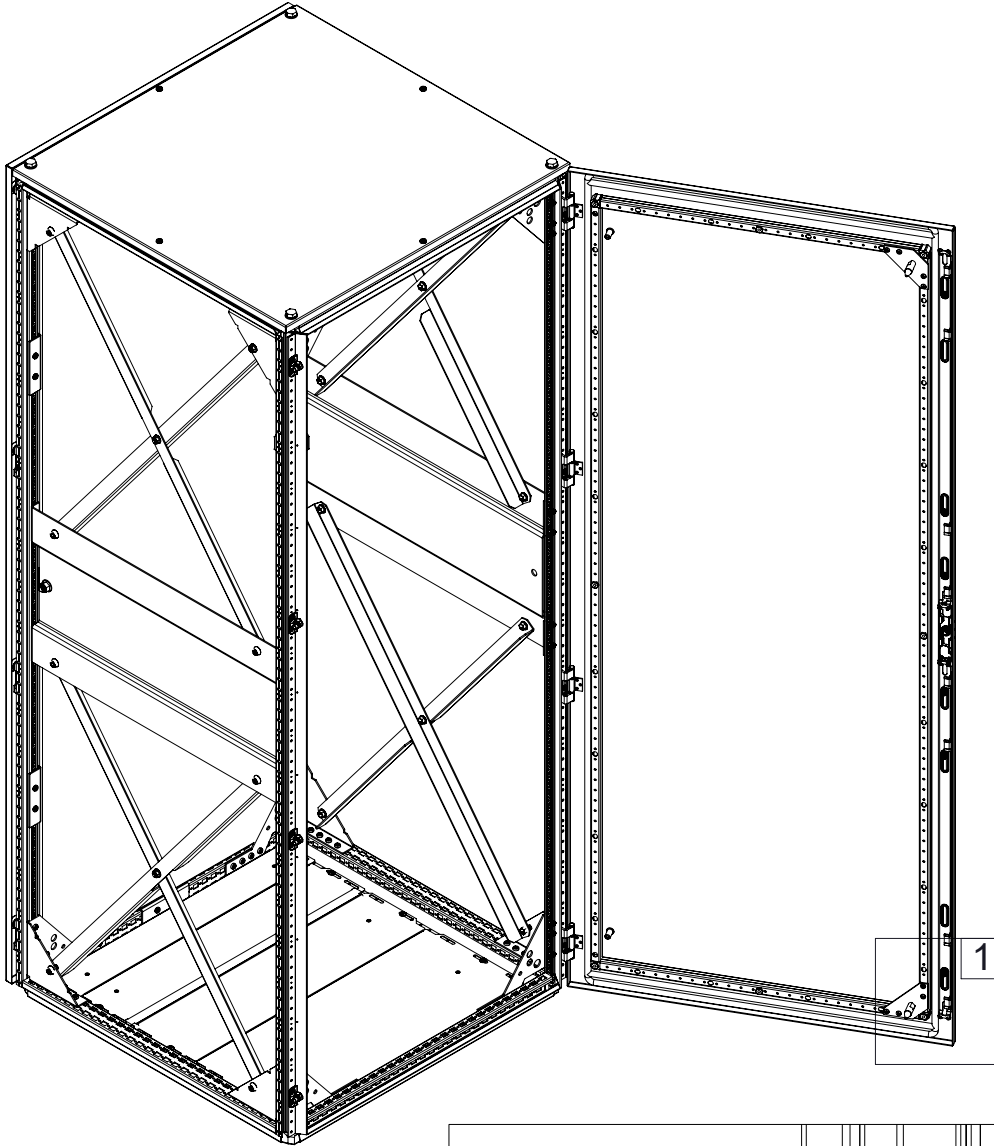
Ref.	Pic.	Qty.
A	 M8x16	20
B	 M8	20





SBK Door brackets

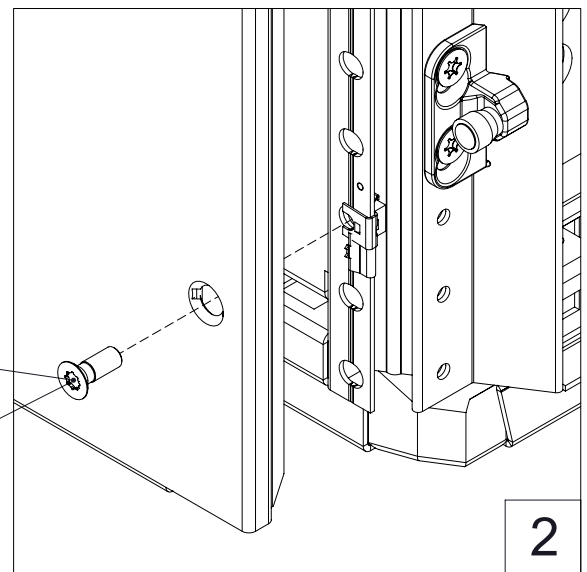
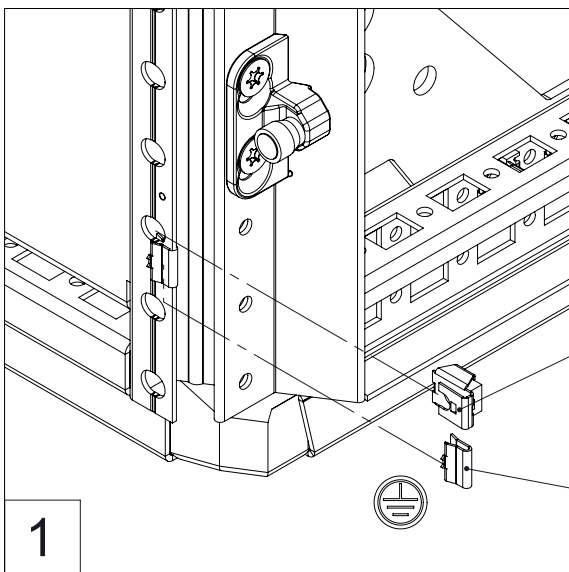
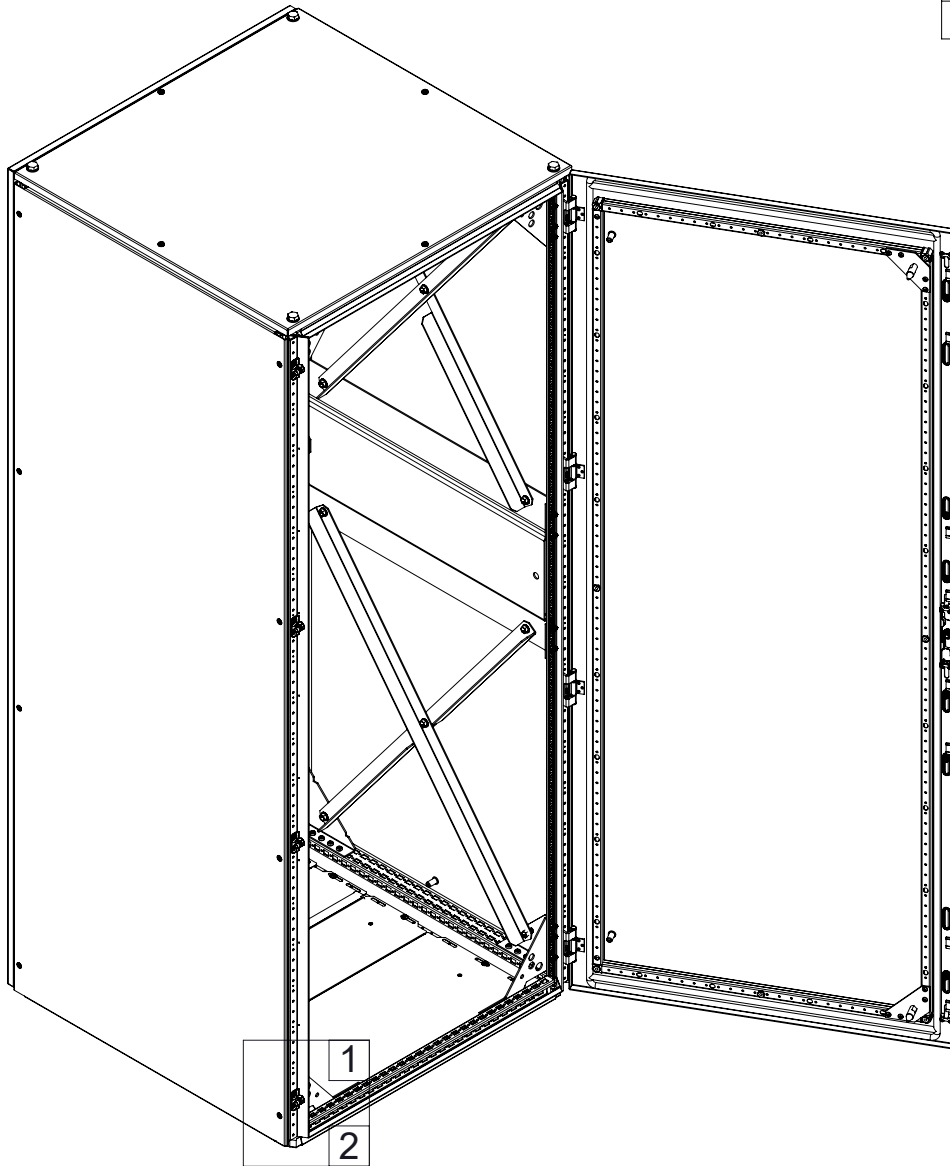
Ref.	Pic.	Qty.
A		2
B	 M5x10	8





SBK Side panels

Ref.	Pic.	Qty.
A	M6x16	16
B	M6	16
C		4



Torque
8-10 Nm

NOTE: Remove the retainers from side panel before installation