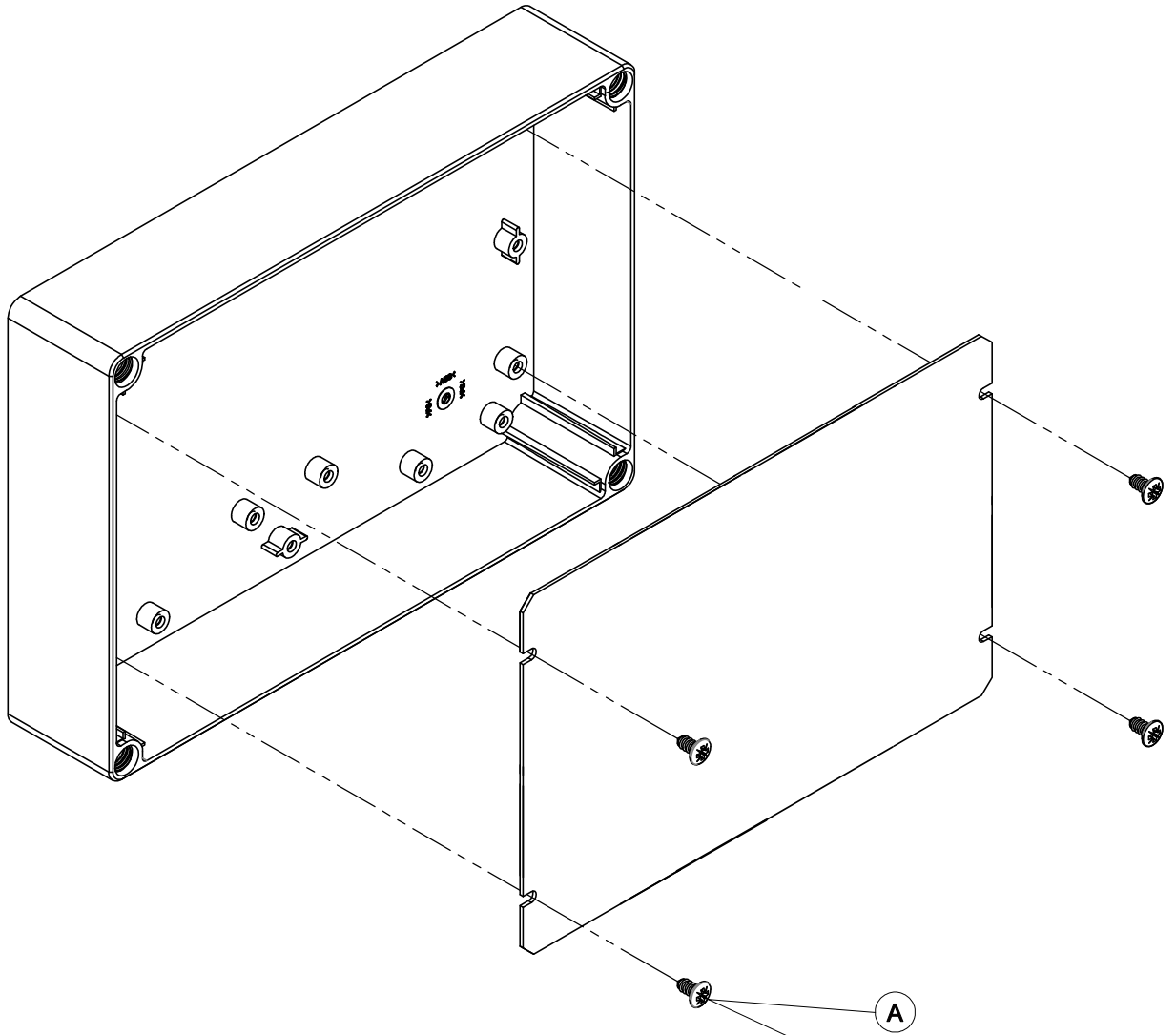




Q PE

Ref.	Pic.	Qty.
A	M4x8	4



A
Torque
Q ABE 0.6 Nm
Q PCE 0.8 Nm