


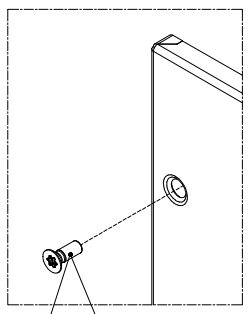
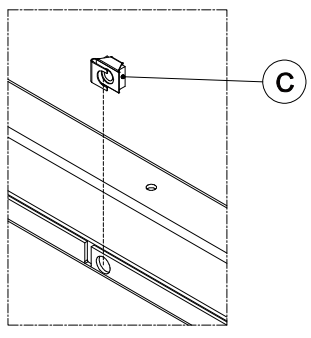


SPME

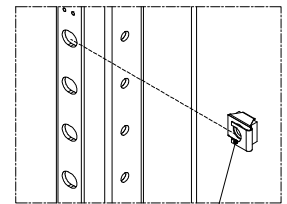
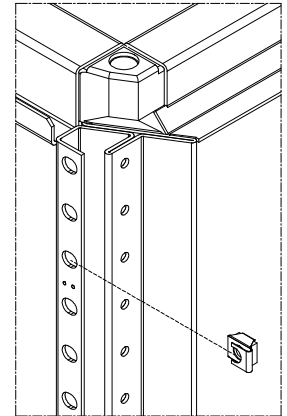
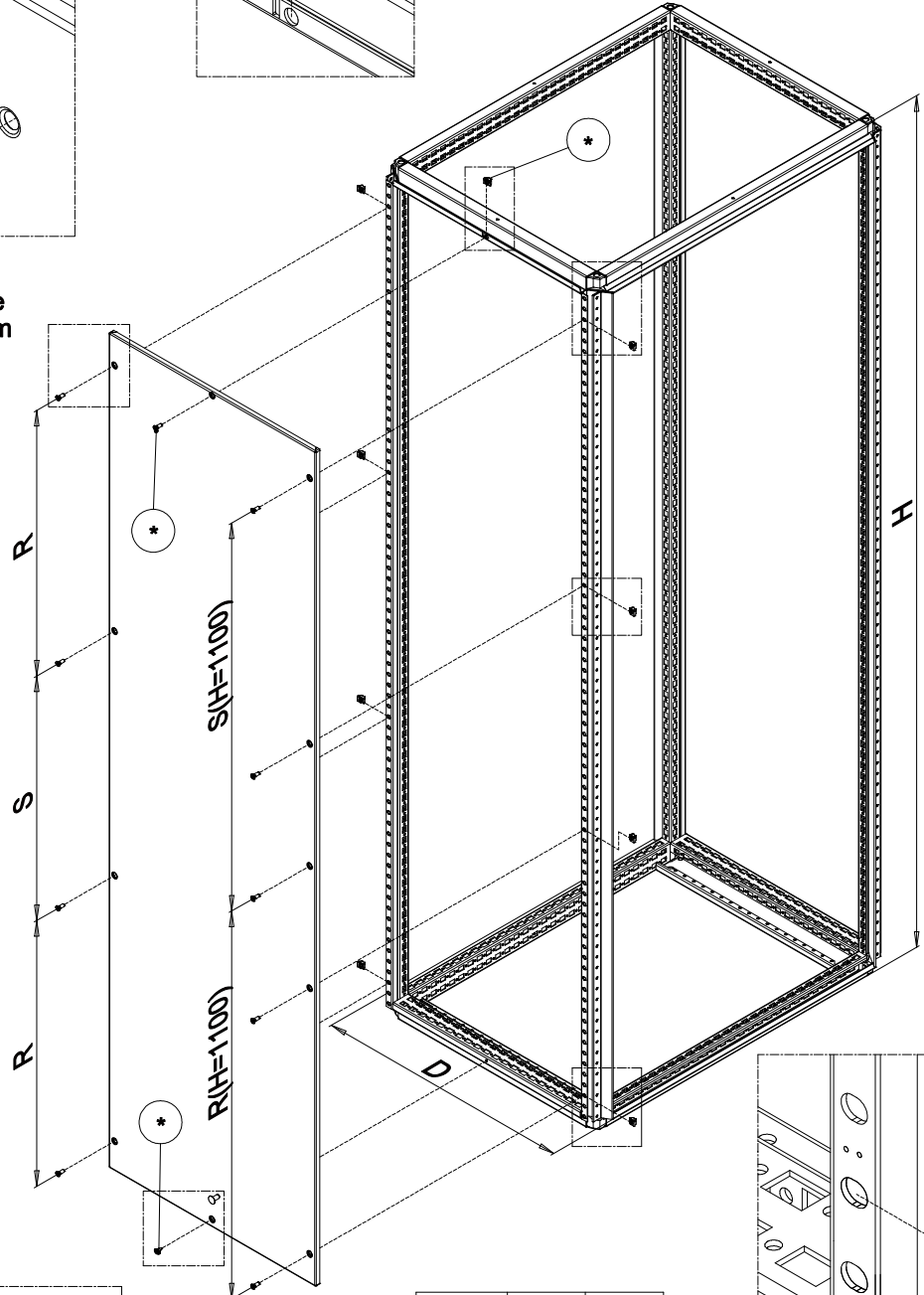
Ref.	Pic.	Qty.
A		0/1
B		6/8/9
C		6/8/9



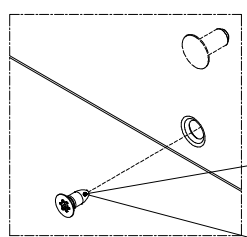
B
Torque
8-10 Nm



C

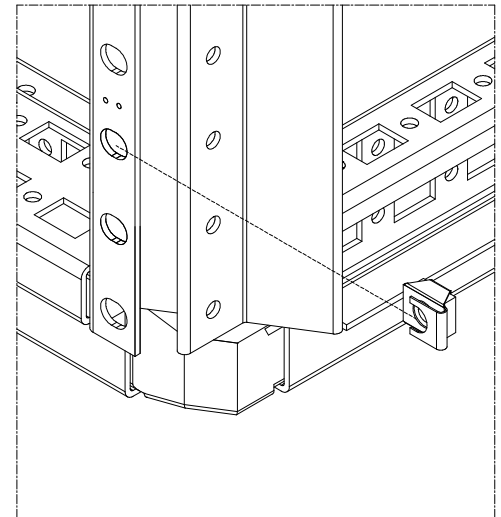


C



A
Torque
8-10 Nm

H	R	S
1100	475	450
1400	425	375
1600	475	475
1800	525	575
2000	625	575
2200	675	675



* - Used only on enclosures 800mm deep and above.