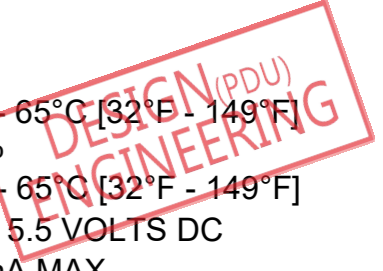


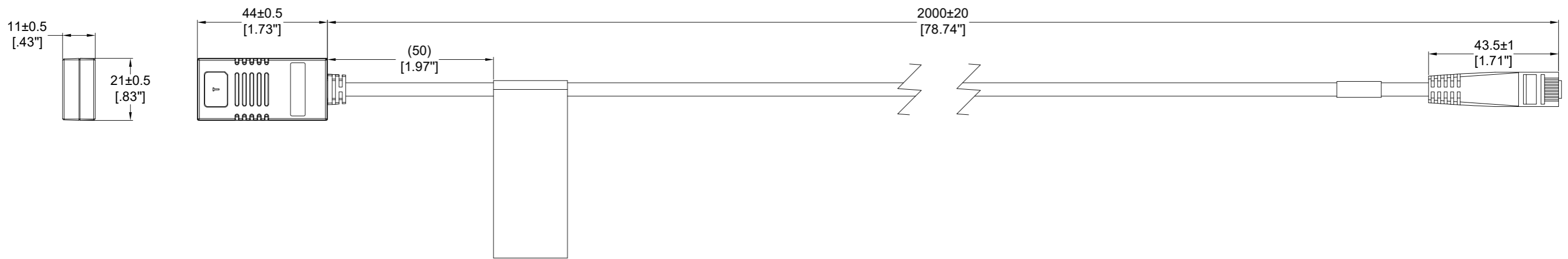
**SPECIFICATION:**

- |                          |  |                           |
|--------------------------|--|---------------------------|
| 1. STANDARD              | MEASURING RANGE:                           | 0°C - 65°C [32°F - 149°F] |
|                          | MEASUREMENT ACCURACY:                      | ± 2%                      |
|                          | OPERATING RANGE:                           | 0°C - 65°C [32°F - 149°F] |
|                          | OPERATIONAL VOLTAGE:                       | 4.2 - 5.5 VOLTS DC        |
|                          | CURRENT DRAW:                              | 30 mA MAX                 |
|                          | SENSOR HOUSING MATERIAL:                   | ABS, 10% GLASS-FILLED     |
|                          | SENSOR HOUSING COLOR:                      | BLACK                     |
|                          | INTERFACE PLUG:                            | RJ45 COMPLIANT            |
|                          | INTERFACE PLUG HOUSING MATERIAL:           | PC                        |
|                          | INTERFACE PLUG HOUSING COLOR:              | TRANSPARENT               |
|                          | LABEL CONTENT:                             | T                         |
| 2. ADDITIONAL:           | NONE                                       |                           |
| 3. ACCESSORY COMPONENTS: |  |                           |
|                          | CABLE TIES, QTY:(5)                        |                           |
|                          | RJ45 QUICK DISCONNECT COUPLER, QTY:(1)     |                           |
|                          | STANDARD ETHERNET EXTENSION CABLE, QTY:(1) |                           |
|                          | INSTALLATION GUIDE, QTY:(1)                |                           |



**NOTES:**

1. PRIMARY DIMENSIONS ARE IN MILLIMETERS. SECONDARY DIMENSION ARE IN INCHES



ECN/ECO	REV.	DESCRIPTION	DATE	APPROVED
	E1	INITIAL RELEASE	2022/07/07	Nate

REVISIONS	
<b>TITLE :</b>	UNLESS NOTED, DIMENSIONS ARE IN MILLIMETERS & TOLERANCES ARE: X ±1 MM X° ±1° X.X ±0.5 MM X.X° ±0.5° X ±0.20 MM Ø X.X ±0.3 MM Ø X.XX ±0.10 MM
<b>PROJECT :</b>	BRACKETED DIMENSIONS ARE IN INCHES FOR REFERENCE ONLY
	⊕ THRID ANGLE PROJECTION
	<b>INTERPRET PER ASME Y14.5M-1994</b>

<b>PART NO:</b>	TA-EA9102	<b>REV.</b>	E1
<b>DRAWN BY:</b>	Nate		2022/07/07
<b>ENGINEER:</b>	Nate		2022/07/07
<b>APPROVED BY:</b>	Hanson		2022/07/07
<b>SCALE :</b>	N/A	<b>SHEET</b>	1 OF 2
		<b>SIZE:</b>	A3

**enLOGIC** by nvent

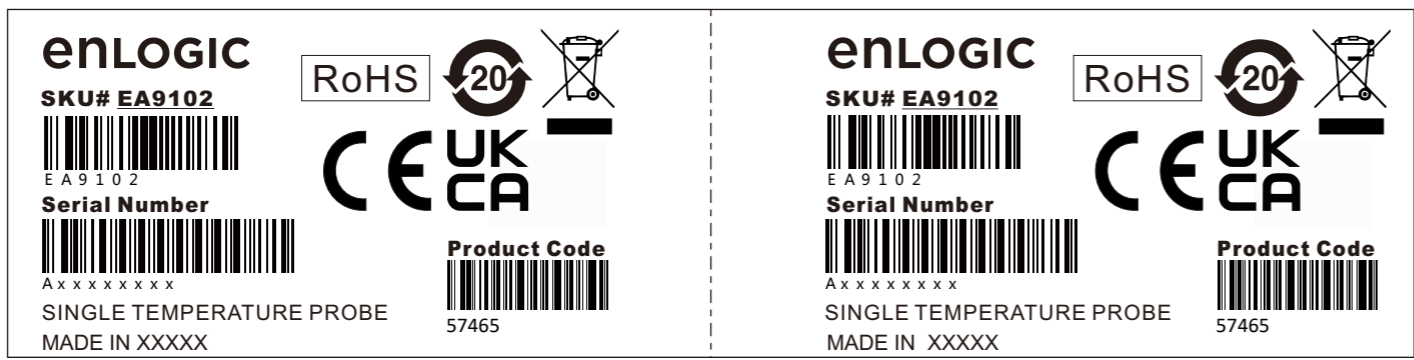
THIS DRAWING AND SPECIFICATIONS HEREIN ARE THE PROPERTY OF CIS GLOBAL AND SHALL NOT BE COPIED, REPRODUCED OR USED IN WHOLE OR IN PART, AS THE BASIS FOR THE MANUFACTURE OR SALE OF ITEMS WITHOUT WRITTEN PERMISSION FROM CIS GLOBAL. THIS DRAWING IS BASED UPON LATEST AVAILABLE INFORMATION AND IS SUBJECT TO CHANGE WITHOUT NOTICE

**DESIGN<sub>(PDU)</sub>  
ENGINEERING**

**NOTES:**

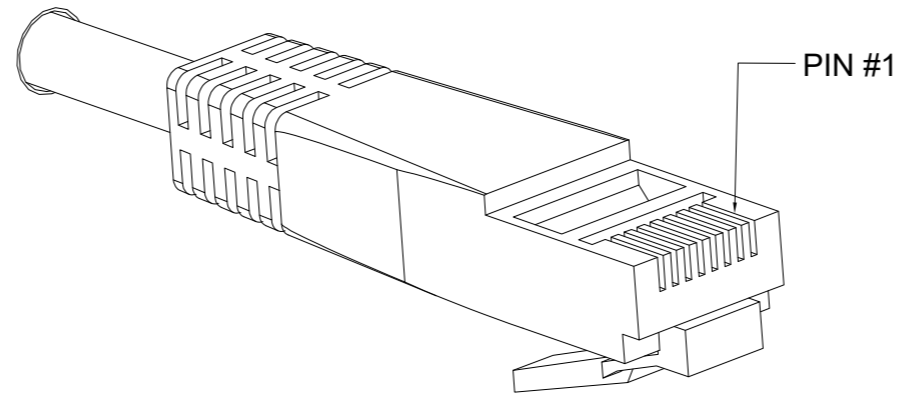
- 1. PRODUCT LABEL:  
 MATERIAL:  
 COLOR:  
 TEXT COLOR:  
 TEXT FONT:
- 2. BARCODE: CODE 128

SYNTHETIC PAPER  
 WHITE  
 BLACK  
 ARIAL



**PRODUCT LABEL**

Pin	Function
1	+5V
2	NC
3	NC
4	NC
5	Ground
6	RS485 A
7	RS485 B
8	Ground



**RJ45 CONNECTION PIN-OUT**

**enLOGIC** by nvent

THIS DRAWING AND SPECIFICATIONS HEREIN ARE THE PROPERTY OF CIS GLOBAL AND SHALL NOT BE COPIED, REPRODUCED OR USED IN WHOLE OR IN PART, AS THE BASIS FOR THE MANUFACTURE OR SALE OF ITEMS WITHOUT WRITTEN PERMISSION FROM CIS GLOBAL. THIS DRAWING IS BASED UPON LATEST AVAILABLE INFORMATION AND IS SUBJECT TO CHANGE WITHOUT NOTICE

	E1	INITIAL RELEASE	2022/07/07	Nate
ECN/ECO	REV.	DESCRIPTION	DATE	APPROVED
<b>REVISIONS</b>				
<b>TITLE :</b>		UNLESS NOTED, DIMENSIONS ARE IN MILLIMETERS & TOLERANCES ARE: X ±1 MM    X° ±1° X.X ±0.5 MM    X.X° ±0.5° X ±0.20 MM Ø X.X ±0.3 MM Ø X.XX ±0.10 MM BRACKETED DIMENSIONS ARE IN INCHES FOR REFERENCE ONLY	<b>PART NO:</b> TA-EA9102	
SINGLE TEMPERATURE PROBE SENSOR			<b>REV.</b> E1	
<b>PROJECT :</b> enLOGIC		<b>DRAWN BY:</b> Nate		2022/07/07
		<b>ENGINEER:</b> Nate		2022/07/07
		<b>APPROVED BY:</b> Hanson		2022/07/07
		SCALE : N/A		<b>SIZE:</b> SHEET 2 OF 2
		THRID ANGLE PROJECTION		A3
<b>INTERPRET PER ASME Y14.5M-1994</b>				