

**SPECIFICATION:**

**1. STANDARD**

TEMP MEASURING RANGE:	0°C - 65°C [32°F - 149°F]
TEMP MEASUREMENT ACCURACY:	± 2%
TEMP OPERATING RANGE:	0°C - 65°C [32°F - 149°F]
HUMIDITY MEASURING RANGE:	10-90% RH
HUMIDITY MEASUREMENT ACCURACY:	±5% RH @ 0°C-65°C, COVER RH MEASURING RANGE
HUMIDITY OPERATING RANGE:	10-90% RH, NON-CONDENSING
OPERATIONAL VOLTAGE:	4.2 - 5.5 VOLTS DC
CURRENT DRAW:	30 mA MAX
SENSOR HOUSING MATERIAL:	ABS, 10% GLASS-FILLED
SENSOR HOUSING COLOR:	BLACK
INTERFACE PLUG:	RJ45 COMPLIANT
INTERFACE PLUG HOUSING MATERIAL:	PC
INTERFACE PLUG HOUSING COLOR:	TRANSPARENT
LABEL CONTENT:	T2/RH

**2. ADDITIONAL:**

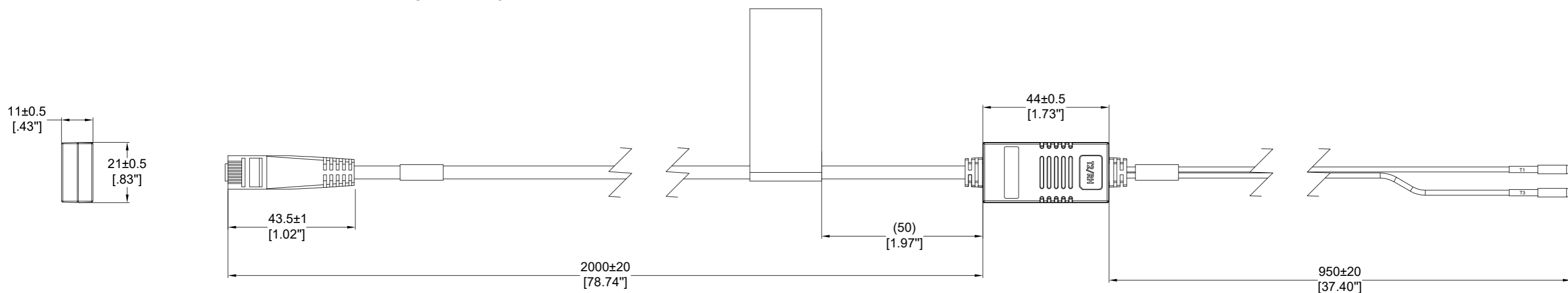
NONE

**3. ACCESSORY COMPONENTS:**

- CABLE TIES, QTY:(5)
- RJ45 QUICK DISCONNECT COUPLER, QTY:(1)
- STANDARD ETHERNET EXTENSION CABLE, QTY:(1)
- INSTALLATION GUIDE, QTY:(1)

**NOTES:**

1. PRIMARY DIMENSIONS ARE IN MILLIMETERS. SECONDARY DIMENSION ARE IN INCHES




**DESIGN(PDU)  
ENGINEERING**

	E1	INITIAL RELEASE	2022/07/07	Nate
ECN/ECO	REV.	DESCRIPTION	DATE	APPROVED

**REVISIONS**

<b>TITLE :</b> 3T+1H PROBE SENSOR	UNLESS NOTED, DIMENSIONS ARE IN MILLIMETERS & TOLERANCES ARE:		<b>PART NO:</b> TA-EA9105	<b>REV.</b> E1
	X	±1 MM	X°	±1°
	X.X	±0.5 MM	X.X°	±0.5°
	X	±0.20 MM		
<b>PROJECT :</b> enLOGIC	Ø X.X	±0.3 MM	<b>DRAWN BY:</b> Nate 2022/07/07	
	Ø X.XX	±0.10 MM	<b>ENGINEER:</b> Nate 2022/07/07	
	BRACKETED DIMENSIONS ARE IN INCHES FOR REFERENCE ONLY		<b>APPROVED BY:</b> Hanson 2022/07/07	
	THIRD ANGLE PROJECTION		SCALE : N/A	
<b>INTERPRET PER ASME Y14.5M-1994</b>		SHEET 1 OF 2		<b>SIZE:</b> A3



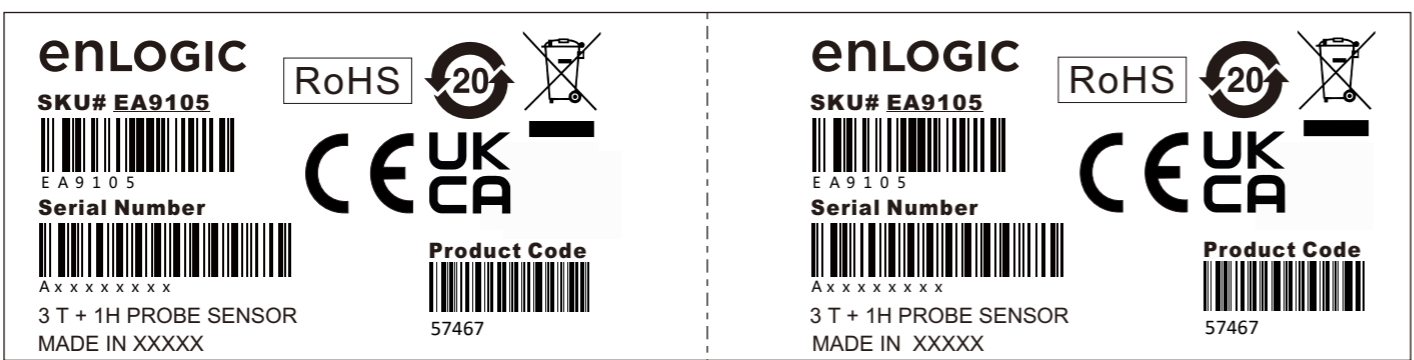
THIS DRAWING AND SPECIFICATIONS HEREIN ARE THE PROPERTY OF CIS GLOBAL AND SHALL NOT BE COPIED, REPRODUCED OR USED IN WHOLE OR IN PART, AS THE BASIS FOR THE MANUFACTURE OR SALE OF ITEMS WITHOUT WRITTEN PERMISSION FROM CIS GLOBAL. THIS DRAWING IS BASED UPON LATEST AVAILABLE INFORMATION AND IS SUBJECT TO CHANGE WITHOUT NOTICE

**DESIGN<sub>(PDU)</sub>  
ENGINEERING**

**NOTES:**

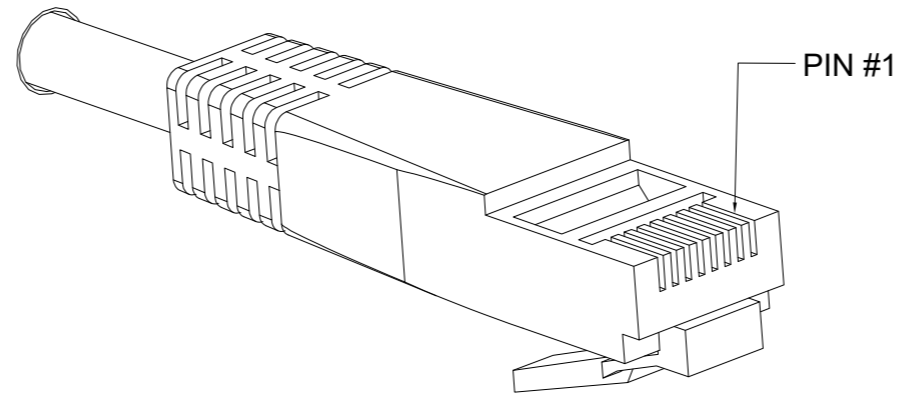
- 1. PRODUCT LABEL:  
 MATERIAL:  
 COLOR:  
 TEXT COLOR:  
 TEXT FONT:
- 2. BARCODE: CODE 128

SYNTHETIC PAPER  
 WHITE  
 BLACK  
 ARIAL



**PRODUCT LABEL**

Pin	Function
1	+5V
2	NC
3	NC
4	NC
5	Ground
6	RS485 A
7	RS485 B
8	Ground



**RJ45 CONNECTION PIN-OUT**

	E1	INITIAL RELEASE	2022/07/07	Nate
ECN/ECO	REV.	DESCRIPTION	DATE	APPROVED
<b>REVISIONS</b>				
<b>TITLE :</b>		UNLESS NOTED, DIMENSIONS ARE IN MILLIMETERS & TOLERANCES ARE: X ±1 MM    X° ±1° X.X ±0.5 MM    X.X° ±0.5° X ±0.20 MM Ø X.X ±0.3 MM Ø X.XX ±0.10 MM	<b>PART NO:</b> TA-EA9105	
3T+1H PROBE SENSOR			<b>REV.:</b> E1	
<b>PROJECT :</b> enLOGIC		BRACKETED DIMENSIONS ARE IN INCHES FOR REFERENCE ONLY THRID ANGLE PROJECTION INTERPRET PER ASME Y14.5M-1994	<b>DRAWN BY:</b> Nate	
			<b>ENGINEER:</b> Nate	
		<b>APPROVED BY:</b> Hanson		<b>DATE:</b> 2022/07/07
		SCALE : N/A		<b>SIZE:</b> SHEET 2 OF 2 A3

**enLOGIC** by nvent

THIS DRAWING AND SPECIFICATIONS HEREIN ARE THE PROPERTY OF CIS GLOBAL AND SHALL NOT BE COPIED, REPRODUCED OR USED IN WHOLE OR IN PART, AS THE BASIS FOR THE MANUFACTURE OR SALE OF ITEMS WITHOUT WRITTEN PERMISSION FROM CIS GLOBAL. THIS DRAWING IS BASED UPON LATEST AVAILABLE INFORMATION AND IS SUBJECT TO CHANGE WITHOUT NOTICE