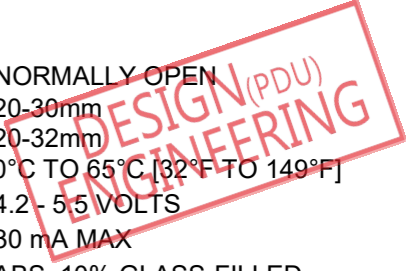


**SPECIFICATION:**

1. STANDARD

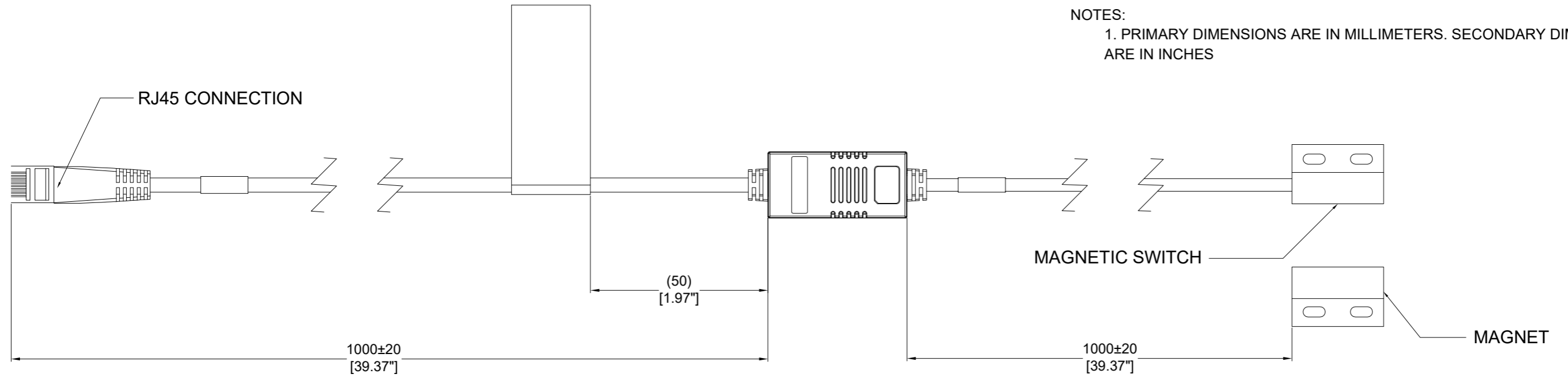
DOOR SENSOR:  
 SWITCH CLOSE RANGE IN OPEN AIR: 20-30mm  
 SWITCH OPEN RANGE IN OPEN AIR: 20-32mm  
 OPERATING TEMPERATURE RANGE: 0°C TO 65°C [32°F TO 149°F]  
 OPERATIONAL VOLTAGE: 4.2 - 5.5 VOLTS  
 CURRENT DRAW: 30 mA MAX

SENSOR HOUSING MATERIAL: ABS, 10% GLASS-FILLED  
 SENSOR HOUSING COLOR: BLACK  
 INTERFACE PLUG: RJ45 COMPLIANT  
 INTERFACE PLUG HOUSING MATERIAL: PC  
 INTERFACE PLUG HOUSING COLOR: TRANSPARENT  
 CABLE COLOR: BLACK  
 WORKMANSHIP STANDARD: HARNESS TO BE MANUFACTURED TO IPC/WHMA-A-620 CLASS 2 STANDARDS



2. ADDITIONAL:  
 NONE
3. ACCESSORY COMPONENTS:  
 MAGNET, QTY:(1)  
 CABLE TIES, QTY:(5)  
 RJ45 QUICK DISCONNECT COUPLER, QTY:(1)  
 STANDARD ETHERNET EXTENSION CABLE, QTY:(1)  
 DOUBLE-SIDED TAPE, QTY:(2)  
 ADHESIVE BACKED MOUNT, QTY:(5)  
 TAP SCREW, QTY:(4)  
 INSTALLATION GUIDE, QTY:(1)

**NOTES:**  
 1. PRIMARY DIMENSIONS ARE IN MILLIMETERS. SECONDARY DIMENSION ARE IN INCHES



	E1	INITIAL RELEASE	2022/07/07	Nate
ECN/ECO	REV.	DESCRIPTION	DATE	APPROVED

REVISIONS				
<b>TITLE :</b>	UNLESS NOTED, DIMENSIONS ARE IN MILLIMETERS & TOLERANCES ARE:		<b>PART NO:</b>	<b>REV.</b>
DOOR SWITCH SENSOR	X ±1 MM	X° ±1°	TA-EA9109	E1
	X.X ±0.5 MM	X.X° ±0.5°	<b>DRAWN BY:</b> Nate	2022/07/07
	X ±0.20 MM		<b>ENGINEER:</b> Nate	2022/07/07
	Ø X.X ±0.3 MM		<b>APPROVED BY:</b> Hanson	2022/07/07
	Ø X.XX ±0.10 MM			
<b>PROJECT :</b>	BRACKETED DIMENSIONS ARE IN INCHES FOR REFERENCE ONLY		SCALE : N/A	<b>SIZE:</b>
enLOGIC	⊕ THRID ANGLE PROJECTION			SHEET 1 OF 2
	INTERPRET PER ASME Y14.5M-1994			A3

**enLOGIC** by nvent

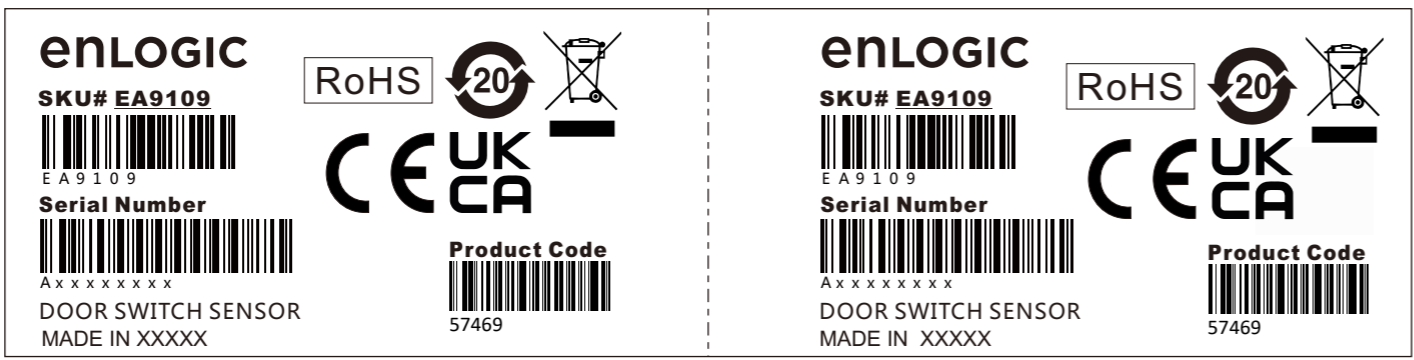
THIS DRAWING AND SPECIFICATIONS HEREIN ARE THE PROPERTY OF CIS GLOBAL AND SHALL NOT BE COPIED, REPRODUCED OR USED IN WHOLE OR IN PART, AS THE BASIS FOR THE MANUFACTURE OR SALE OF ITEMS WITHOUT WRITTEN PERMISSION FROM CIS GLOBAL. THIS DRAWING IS BASED UPON LATEST AVAILABLE INFORMATION AND IS SUBJECT TO CHANGE WITHOUT NOTICE

**DESIGN<sub>(PDU)</sub>  
ENGINEERING**

**NOTES:**

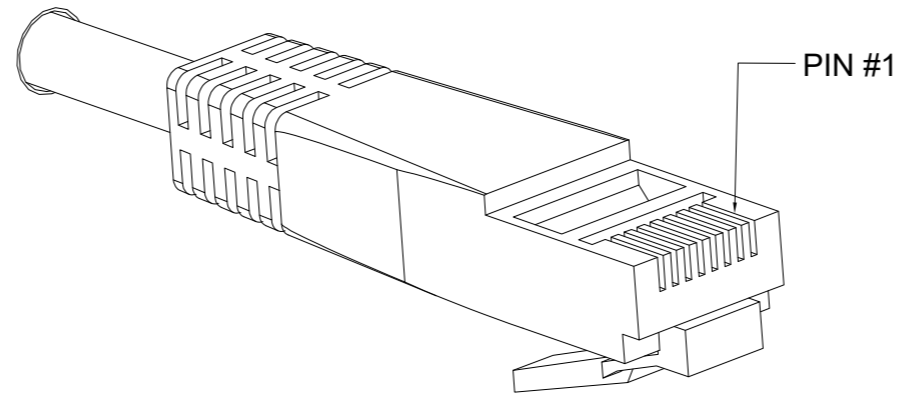
- 1. PRODUCT LABEL:  
 MATERIAL:  
 COLOR:  
 TEXT COLOR:  
 TEXT FONT:
- 2. BARCODE: CODE 128

SYNTHETIC PAPER  
 WHITE  
 BLACK  
 ARIAL



**PRODUCT LABEL**

Pin	Function
1	+5V
2	NC
3	NC
4	NC
5	Ground
6	RS485 A
7	RS485 B
8	Ground



**RJ45 CONNECTION PIN-OUT**

<p>THIS DRAWING AND SPECIFICATIONS HEREIN ARE THE PROPERTY OF CIS GLOBAL AND SHALL NOT BE COPIED, REPRODUCED OR USED IN WHOLE OR IN PART, AS THE BASIS FOR THE MANUFACTURE OR SALE OF ITEMS WITHOUT WRITTEN PERMISSION FROM CIS GLOBAL. THIS DRAWING IS BASED UPON LATEST AVAILABLE INFORMATION AND IS SUBJECT TO CHANGE WITHOUT NOTICE</p>	<b>TITLE :</b> DOOR SWITCH SENSOR	UNLESS NOTED, DIMENSIONS ARE IN MILLIMETERS & TOLERANCES ARE: X ±1 MM    X° ±1° X.X ±0.5 MM    X.X° ±0.5° X ±0.20 MM Ø X.X ±0.3 MM Ø X.XX ±0.10 MM  BRACKETED DIMENSIONS ARE IN INCHES FOR REFERENCE ONLY THRID ANGLE PROJECTION <b>INTERPRET PER ASME Y14.5M-1994</b>	<b>PART NO:</b> TA-EA9109	<b>REV.</b> E1	2022/07/07    Nate
	<b>PROJECT :</b> enLOGIC		<b>REVISIONS</b>	<b>DRAWN BY:</b> Nate <b>ENGINEER:</b> Nate <b>APPROVED BY:</b> Hanson	2022/07/07 2022/07/07 2022/07/07
		SCALE : N/A		SHEET 2 OF 2 <b>SIZE:</b> A3	