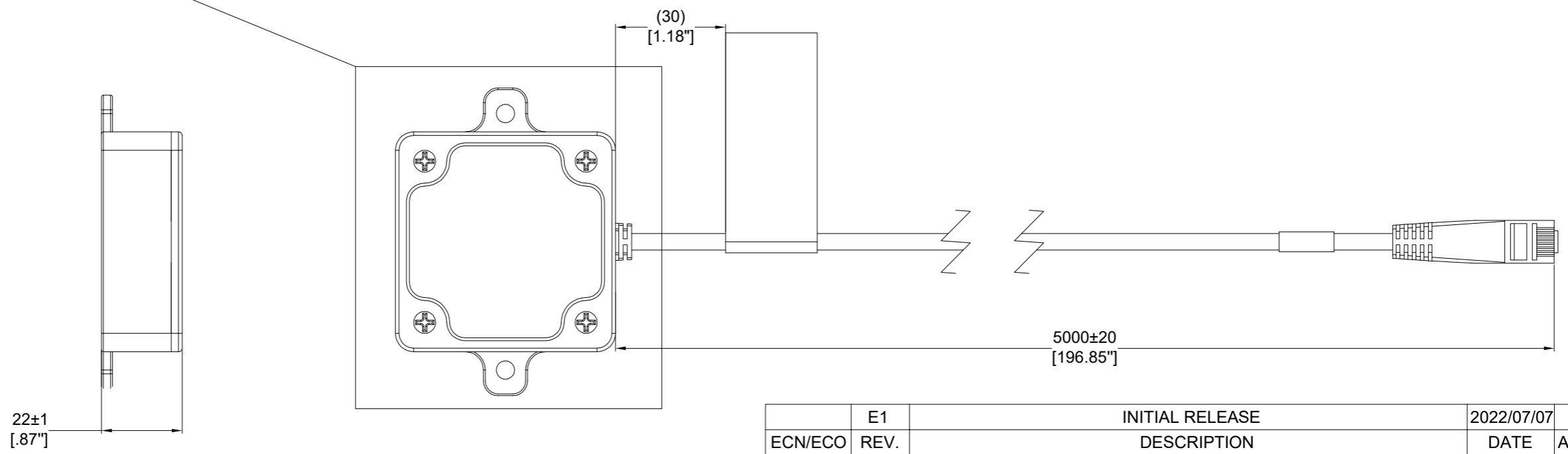


SPECIFICATION:

- 1. STANDARD MEASURING RANGE: DETECTS LIQUIDS WITH A RESISTANCE OF <2MOHMS PER CM
- OPERATING RANGE: 0°C - 65°C, NON-CONDENSING [32°F - 149°F, NON-CONDENSING]
- OPERATIONAL VOLTAGE: 4.2 - 5.5 VOLTS DC
- CURRENT DRAW: 30 mA MAX
- SENSOR HOUSING MATERIAL: ABS, 10% GLASS-FILLED
- SENSOR HOUSING COLOR: BLACK
- INTERFACE PLUG: RJ45 COMPLIANT
- INTERFACE PLUG HOUSING MATERIAL: PC
- INTERFACE PLUG HOUSING COLOR: TRANSPARENT
- 2. ADDITIONAL: NONE
- 3. ACCESSORY COMPONENTS:
 - INSTALLATION PAD, QTY:(1)
 - RJ45 QUICK DISCONNECT COUPLER, QTY:(1)
 - CABLE TIES, QTY:(5)
 - ADHESIVE BACKED MOUNT, QTY:(5)
 - INSTALLATION GUIDE, QTY:(1)

NOTES:
 1. PRIMARY DIMENSIONS ARE IN MILLIMETERS. SECONDARY DIMENSION ARE IN INCHES

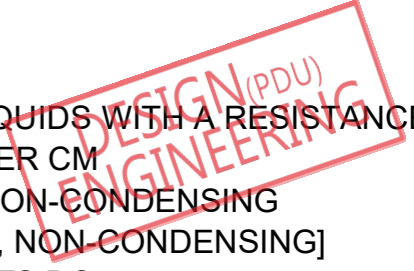


| ECN/ECO | REV. | DESCRIPTION | DATE | APPROVED |
|---------|------|-----------------|------------|----------|
| | E1 | INITIAL RELEASE | 2022/07/07 | Nate |

| REVISIONS | | PART NO: | REV. |
|--------------|--|-----------|------------|
| | | TA-EA9111 | E1 |
| DRAWN BY: | | Nate | 2022/07/07 |
| ENGINEER: | | Nate | 2022/07/07 |
| APPROVED BY: | | Hanson | 2022/07/07 |

| | | | | | |
|-------------------------------------|--|--|--|--------------|----------|
| TITLE : SPOT FLUID SENSOR | | <small>UNLESS NOTED, DIMENSIONS ARE IN MILLIMETERS & TOLERANCES ARE:</small> X ±1 MM X° ±1° X.X ±0.5 MM X.X° ±0.5° X ±0.20 MM Ø X.X ±0.3 MM Ø X.XX ±0.10 MM | SCALE : N/A | SHEET 1 OF 2 | SIZE: A3 |
| PROJECT : enLOGIC | | | <small>BRACKETED DIMENSIONS ARE IN INCHES FOR REFERENCE ONLY</small> <small>THIRD ANGLE PROJECTION</small> <small>INTERPRET PER ASME Y14.5M-1994</small> | | |

THIS DRAWING AND SPECIFICATIONS HEREIN ARE THE PROPERTY OF CIS GLOBAL AND SHALL NOT BE COPIED, REPRODUCED OR USED IN WHOLE OR IN PART, AS THE BASIS FOR THE MANUFACTURE OR SALE OF ITEMS WITHOUT WRITTEN PERMISSION FROM CIS GLOBAL. THIS DRAWING IS BASED UPON LATEST AVAILABLE INFORMATION AND IS SUBJECT TO CHANGE WITHOUT NOTICE



**DESIGN(PDU)
ENGINEERING**

NOTES:

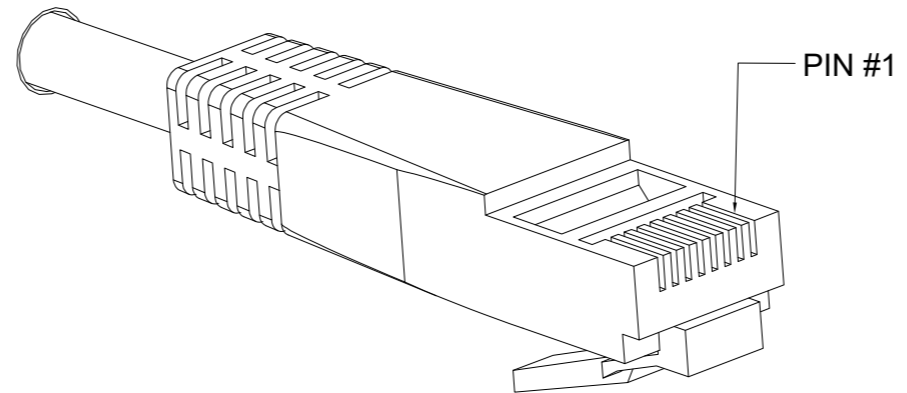
- 1. PRODUCT LABEL:
 MATERIAL:
 COLOR:
 TEXT COLOR:
 TEXT FONT:
- 2. BARCODE: CODE 128

SYNTHETIC PAPER
 WHITE
 BLACK
 ARIAL



PRODUCT LABEL

| Pin | Function |
|-----|----------|
| 1 | +5V |
| 2 | NC |
| 3 | NC |
| 4 | NC |
| 5 | Ground |
| 6 | RS485 A |
| 7 | RS485 B |
| 8 | Ground |



RJ45 CONNECTION PIN-OUT

enLOGIC by nvent

THIS DRAWING AND SPECIFICATIONS HEREIN ARE THE PROPERTY OF CIS GLOBAL AND SHALL NOT BE COPIED, REPRODUCED OR USED IN WHOLE OR IN PART, AS THE BASIS FOR THE MANUFACTURE OR SALE OF ITEMS WITHOUT WRITTEN PERMISSION FROM CIS GLOBAL. THIS DRAWING IS BASED UPON LATEST AVAILABLE INFORMATION AND IS SUBJECT TO CHANGE WITHOUT NOTICE

| ECN/ECO | REV. | DESCRIPTION | DATE | APPROVED |
|------------------|------|--|------------------------------|------------------------------------|
| | E1 | INITIAL RELEASE | 2022/07/07 | Nate |
| REVISIONS | | | | |
| TITLE : | | UNLESS NOTED, DIMENSIONS ARE IN MILLIMETERS & TOLERANCES ARE: X ±1 MM X° ±1° X.X ±0.5 MM X.X° ±0.5° X ±0.20 MM Ø X.X ±0.3 MM Ø X.XX ±0.10 MM BRACKETED DIMENSIONS ARE IN INCHES FOR REFERENCE ONLY THRID ANGLE PROJECTION INTERPRET PER ASME Y14.5M-1994 | PART NO: TA-EA9111 | |
| PROJECT : | | | REV. E1 | |
| enLOGIC | | DRAWN BY: Nate | | 2022/07/07 |
| | | ENGINEER: Nate | | 2022/07/07 |
| | | APPROVED BY: Hanson | | 2022/07/07 |
| | | SCALE : N/A | | SIZE: SHEET 2 OF 2 A3 |