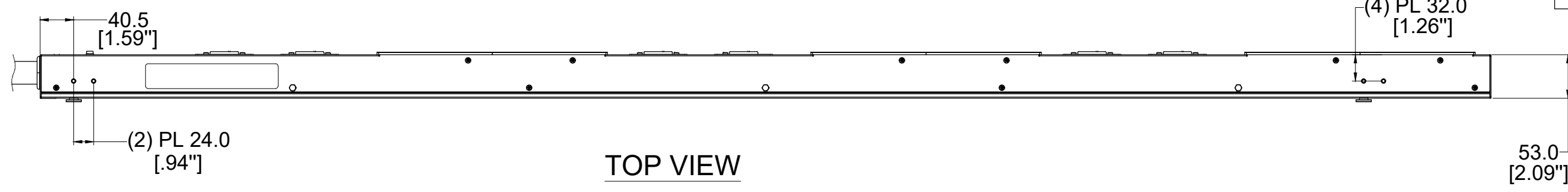
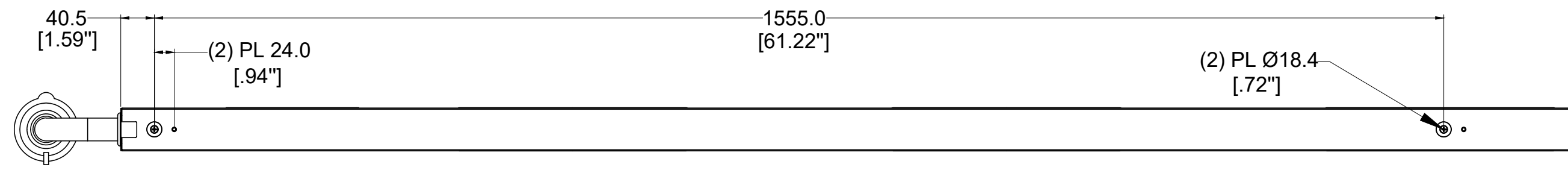


THE INFORMATION CONTAINED IN THIS DRAWING IS THE SOLE PROPERTY OF CIS. ANY REPRODUCTION IN PART OR WHOLE WITHOUT WRITTEN PERMISSION OF CIS IS PROHIBITED.

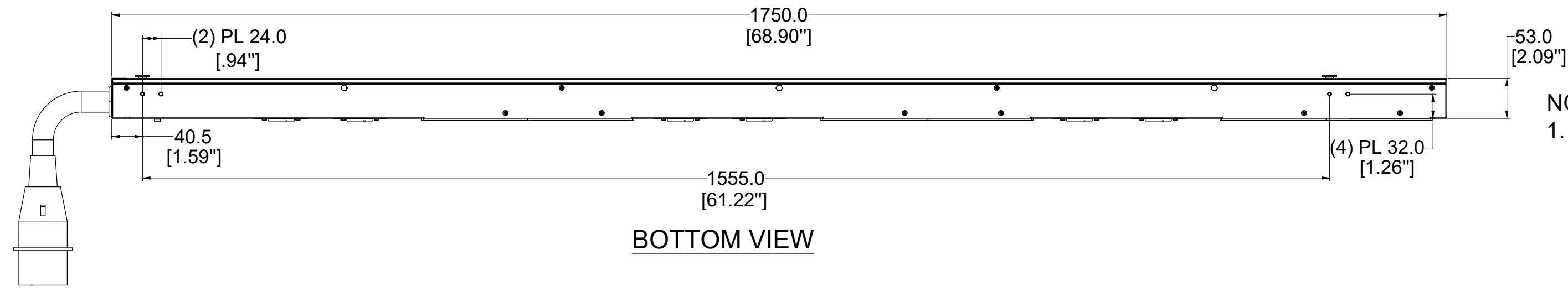
REVISIONS				SIGN	DATE
ECN/ECO	PLACES	REV.	DESCRIPTION	Wanbin Liu	2019.4.9
		E1	Design Release		



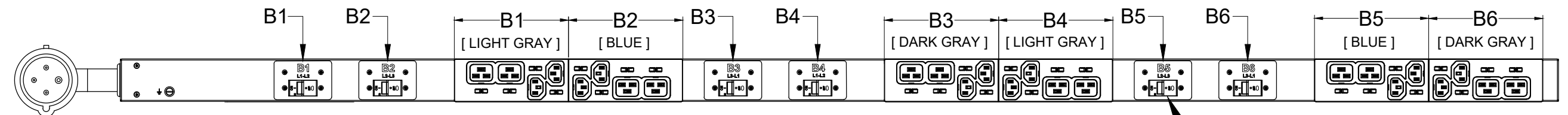
TOP VIEW



REAR VIEW

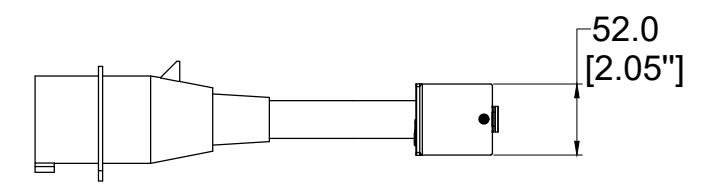


BOTTOM VIEW

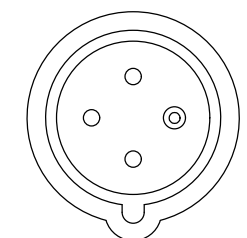


FRONT VIEW


20 AMP, DOUBLE - POLE  
ELECTRO MECHANICAL  
SWITCH / BREAKER (6) PLACES




RIGHT VIEW



**PLUG**  
IEC 60309, 3P 4W, 9H  
IP44 (SPASHPROOF)  
60A, 250V, 3 - PHASE MAX RATED INPUT  
48A DERATED



IEC 60320/C19  
16A, 250V MAX RATED OUTPUT




IEC 60320/C13  
10A, 250V MAX RATED OUTPUT

**SPECIFICATION:**  
1. STANDARD:

UNIT TYPE:	BASIC
ORIENTATION:	VERTICAL, 0U FULL
OUTLET QTY&TYPE:	(12) C13, (12) C19
INPUT VOLTAGE:	200-240VAC
INPUT CURRENT:	60A (48A DERATED)
BREAKER QTY&TYPE:	(6) 20AMP, DOUBLE-POLE
INPUT PHASE:	THREE-PHASE DELTA
RATED POWER:	17.3kVA
INPUT PLUG:	IEC 60309 3P+E 9H 60A
INPUT POWER CORD:	3m [10'], TOP FEED
REGULATORY STANDARD:	RoHS COMPLIANT

**NOTES:**

1. PRIMARY DIMENSIONS ARE IN MILLIMETERS. SECONDARY DIMENSION ARE IN INCHES

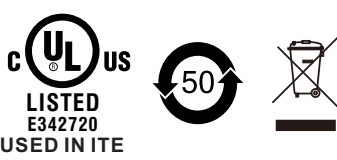
UNLESS NOTED, DIMENSIONS IN MILLIMETERS & TOLERANCES ARE: X ± 1 MM X.X ± 0.5 MM X.XX ± 0.20 MM ØX.X ± 0.4 MM ØX.XX ± 0.20 MM	DESIGNER & DATE: Wanbin Liu 2019-4-9	 <b>CIS</b> ASIA PACIFIC CIS WUXI CHINA
	STANDARDIZATION/CHECKER & DATE: Hanson Xu 2019-4-11	
BRACKETED DIMENSIONS ARE IN INCHES FOR REFERENCE ONLY	DATE: Talon Lv 2019-4-11	DESCRIPTION: EN2.0 PDU
	APPROVER & DATE: Kanson Ren 2019-4-11	P/N: EB0902
THIRD ANGLE PROJECTION	ITEM WEIGHT (REFERENCE ONLY):	REV: E1
IF 2D AND 3D DIFFER, 2D SHALL TAKE PRECEDENCE	MATERIAL: Assembly	SCALE 1:5 (DO NOT SCALE DRAWING) SIZE: A2 SHEET 1 OF 2

THE INFORMATION CONTAINED IN THIS DRAWING IS THE SOLE PROPERTY OF CIS. ANY REPRODUCTION IN PART OR WHOLE WITHOUT WRITTEN PERMISSION OF CIS IS PROHIBITED.

## enLOGIC


SKU #: EB0902  
Model #: EP04048-0010  
INPUT: 200-240VAC, DELTA, 3PHASE, 50/60Hz, 48A  
OUTPUT: C13; 200-240VAC, 10A per outlet  
C19; 200-240VAC, 16A per outlet  
48A Total

**Power Distribution Unit**




50

SKU#:  
EB0902



Serial Number  
CNXXXXXXXXX



Made In China

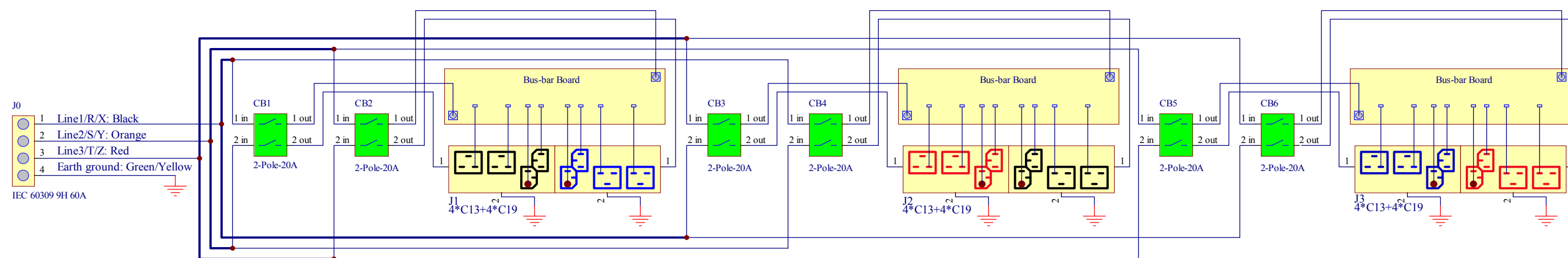
Mfr. Name: ASIA PACIFIC CIS(WUXI)CO LTD

COMPLIANCE LABEL

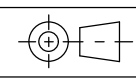

**NOTES:**

1. INTERNAL WIRING:

- |                     |                     |
|---------------------|---------------------|
| WIRE TYPE:          | UL AWM 1015, 12AWG  |
| LINE 1/R/X COLOR:   | BLACK               |
| LINE 2/S/Y COLOR:   | ORANGE              |
| LINE 3/T/Z COLOR:   | RED                 |
| EARTH GROUND COLOR: | GREEN/YELLOW STRIPE |



INTERNAL WIRING SCHEMATIC

<p>UNLESS NOTED, DIMENSIONS IN MILLIMETERS &amp; TOLERANCES ARE:</p> <table style="font-size: small;"> <tr><td>X</td><td>± 1</td><td>MM</td><td>X°</td><td>± 1°</td></tr> <tr><td>X.X</td><td>± 0.5</td><td>MM</td><td>X.X°</td><td>± 0.5°</td></tr> <tr><td>X.XX</td><td>± 0.20</td><td>MM</td><td></td><td></td></tr> <tr><td>ØX.X</td><td>± 0.4</td><td>MM</td><td></td><td></td></tr> <tr><td>ØX.XX</td><td>± 0.20</td><td>MM</td><td></td><td></td></tr> </table> <p>BRACKETED DIMENSIONS ARE IN INCHES FOR REFERENCE ONLY</p> <div style="text-align: center;">  <p>THIRD ANGLE PROJECTION</p> </div> <p>IF 2D AND 3D DIFFER, 2D SHALL TAKE PRECEDENCE</p>	X	± 1	MM	X°	± 1°	X.X	± 0.5	MM	X.X°	± 0.5°	X.XX	± 0.20	MM			ØX.X	± 0.4	MM			ØX.XX	± 0.20	MM			<p>DESIGNER &amp; DATE: Wanbin Liu 2019-4-9</p> <p>STANDARDIZATION/CHECKER &amp; DATE: Hanson Xu 2019-4-11</p> <p>DFM &amp; DATE: Talon Lv 2019-4-11</p> <p>APPROVER &amp; DATE: Kanson Ren 2019-4-11</p> <p>ITEM WEIGHT (REFERENCE ONLY):</p>		<p>DESCRIPTION: <b>EN2.0 PDU</b></p> <p>P/N: <b>EB0902</b></p> <p>REV: <b>E1</b></p>
	X	± 1	MM	X°	± 1°																							
	X.X	± 0.5	MM	X.X°	± 0.5°																							
	X.XX	± 0.20	MM																									
ØX.X	± 0.4	MM																										
ØX.XX	± 0.20	MM																										
<p>MATERIAL: <b>Assembly</b></p>		<p>SCALE 1:5 (DO NOT SCALE DRAWING) SIZE: A2 SHEET 2 OF 2</p>																										