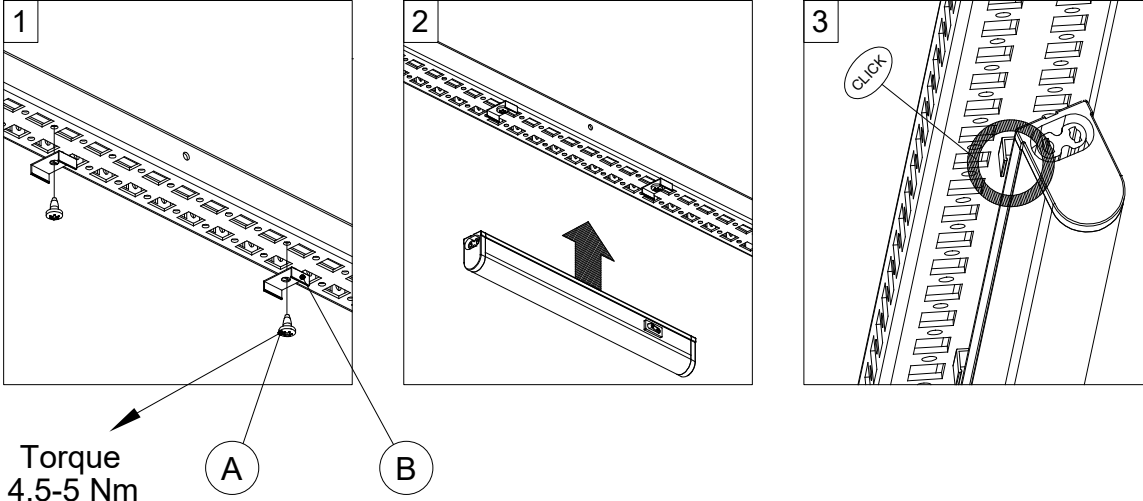


TL4001

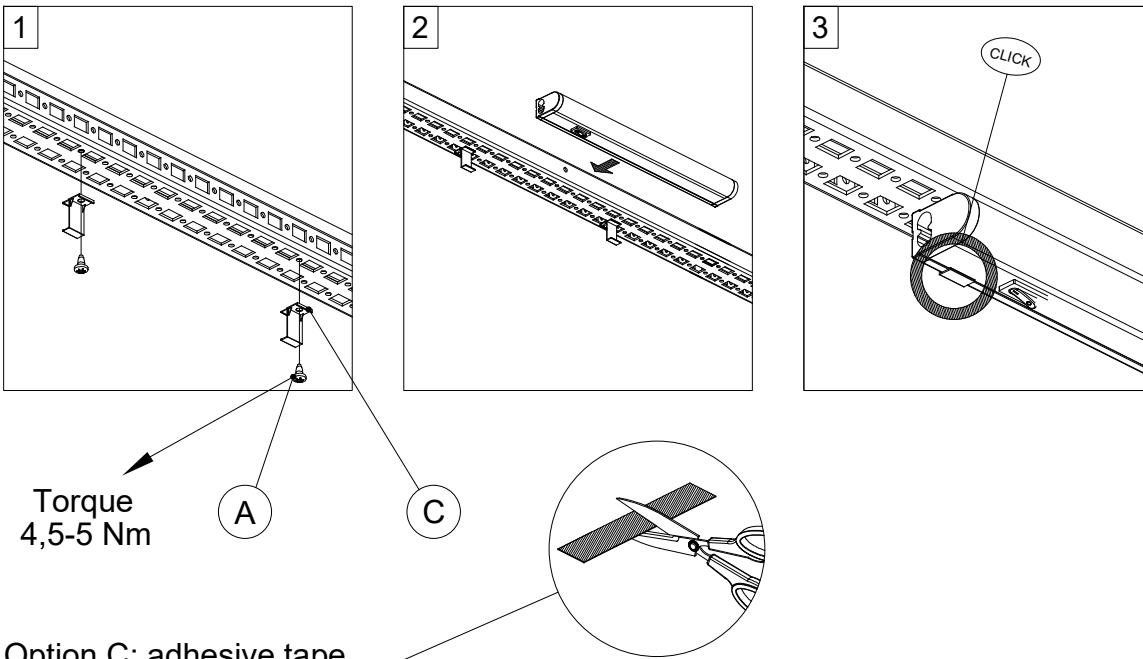


Ref.	Pic.	Qty.
A		2
B		2
C		2
D		1

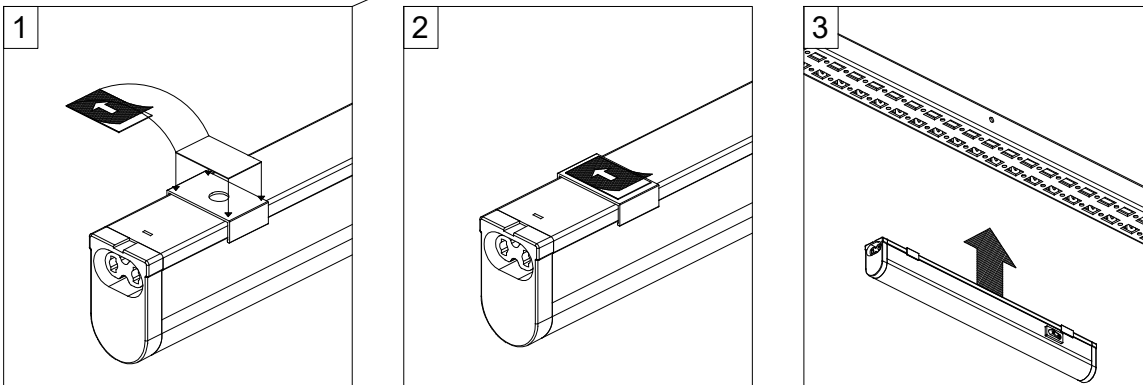
Option A: plain brackets



Option B: angle brackets



Option C: adhesive tape



*The adhesive tape can be used for both pairs of brackets