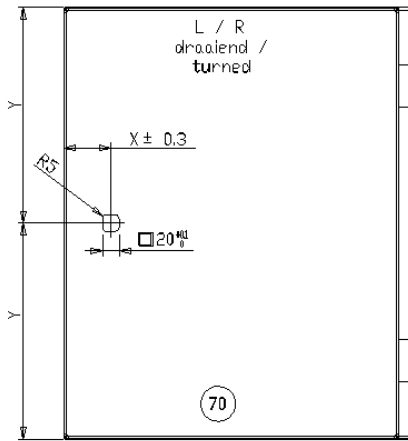
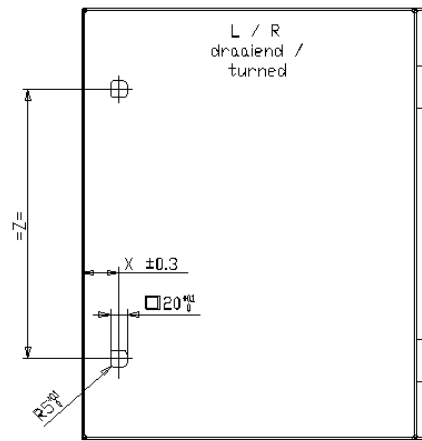


# UDH Handles

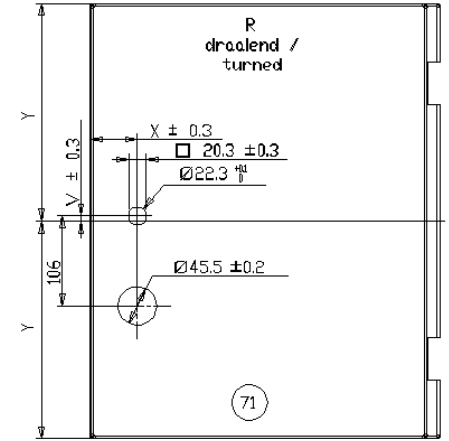
## 1. Door cut-outs



1 PTS / 3 PTS  
SLUITSYSTEEM / LOCKING SYSTEM



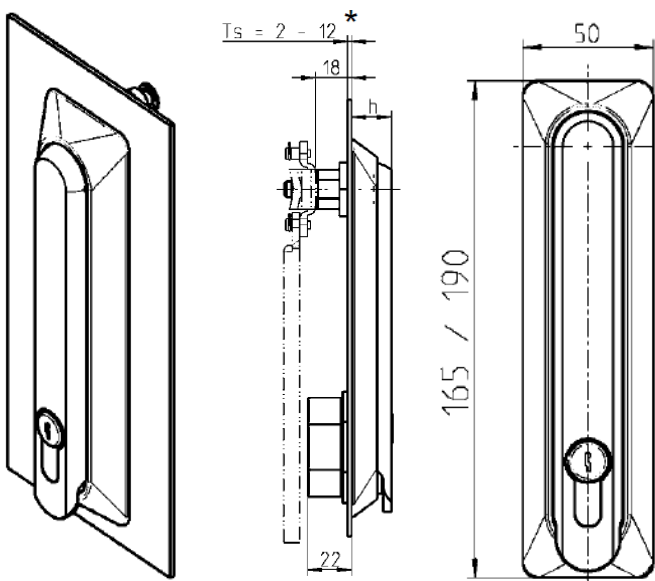
2 PTS  
SLUITSYSTEEM / LOCKING SYSTEM



HANDGRIEP / HANDLE

| Type/Dim [mm]    | X (1-point) | X (2-point) | X (central) | Y   | Z   | V |
|------------------|-------------|-------------|-------------|-----|-----|---|
| UCP320           | 44          |             |             | 151 | -   | 0 |
| UCP430/UCPT430   | 44          |             | 56          | 207 | -   | 6 |
| UCP540/UCPT540   |             | 44          | 56          | 257 | 320 | 0 |
| UCP640/UCPT640   |             | 44          | 56          | 307 | 420 | 0 |
| UCP750/UCPT750   |             | 44          | 64          | 367 | 445 | 0 |
| UCP860/UCPT860   |             | 53          | 64          | 417 | 560 | 0 |
| UCP1080/UCPT1080 |             | 53          | 64          | 517 | 760 | 0 |

## 2. UDH2C/UDH3C Swinghandle

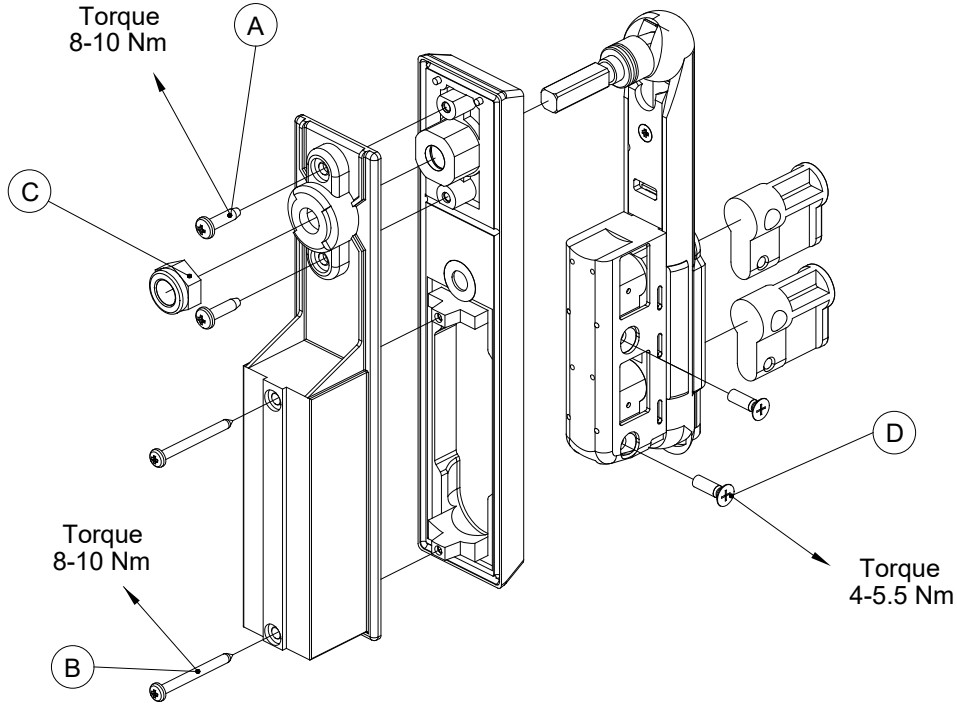
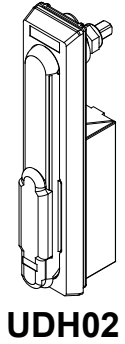


Above drawing is a general drawing for these swing-handles and may vary from the product specified like mentioned below.

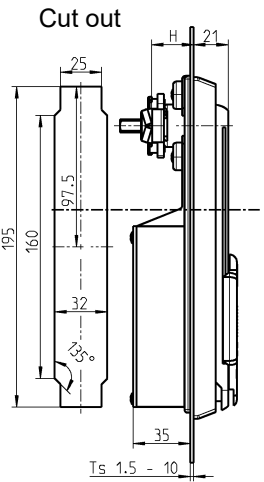
UDH2C/UDH3C:

- does include a plastic cap above the lock insert like shown in the picture. This cap can be sealed. It is foreseen for protecting the lock itself from environmental impacts.
- does not include the profile half cylinder itself.
- does not include the locking mechanism on the inner side like closing cams or locking bars.

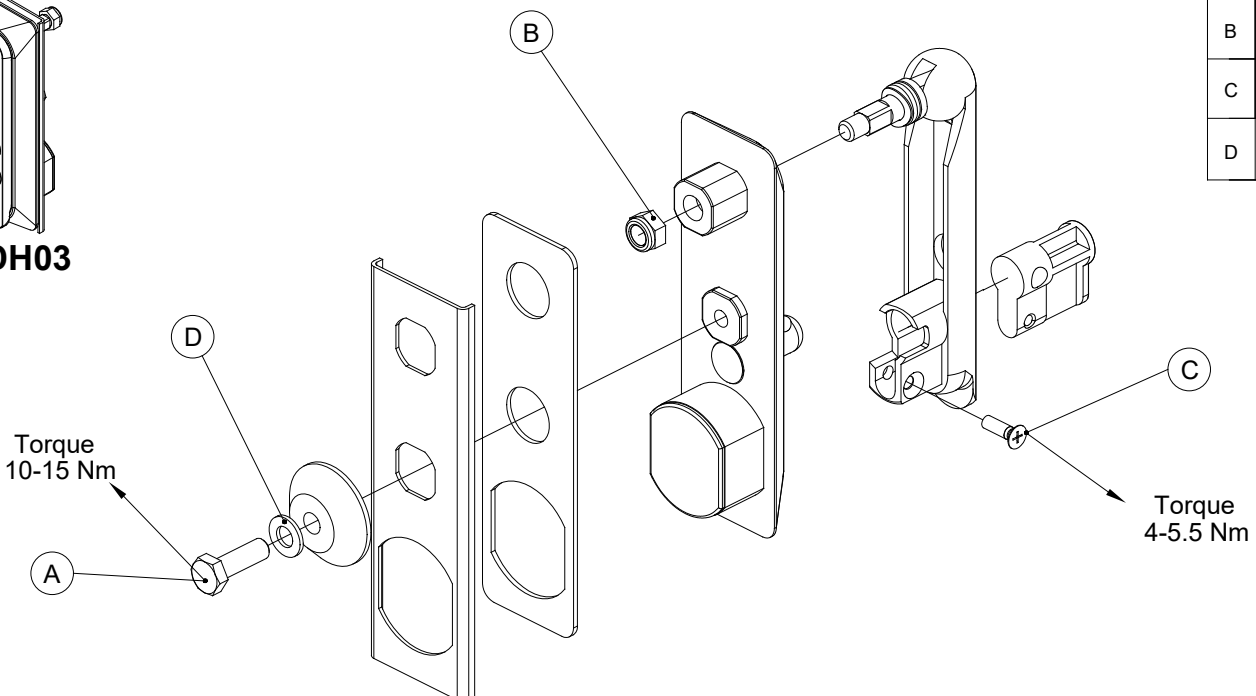
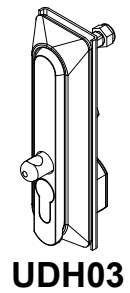
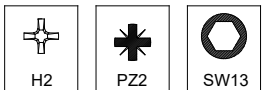
### 3. UDH02 - Handle for cylinder lock



| Ref. | Pic. | Qty. |
|------|------|------|
| A    |      | 2    |
| B    |      | 2    |
| C    |      | 1    |
| D    |      | 1    |

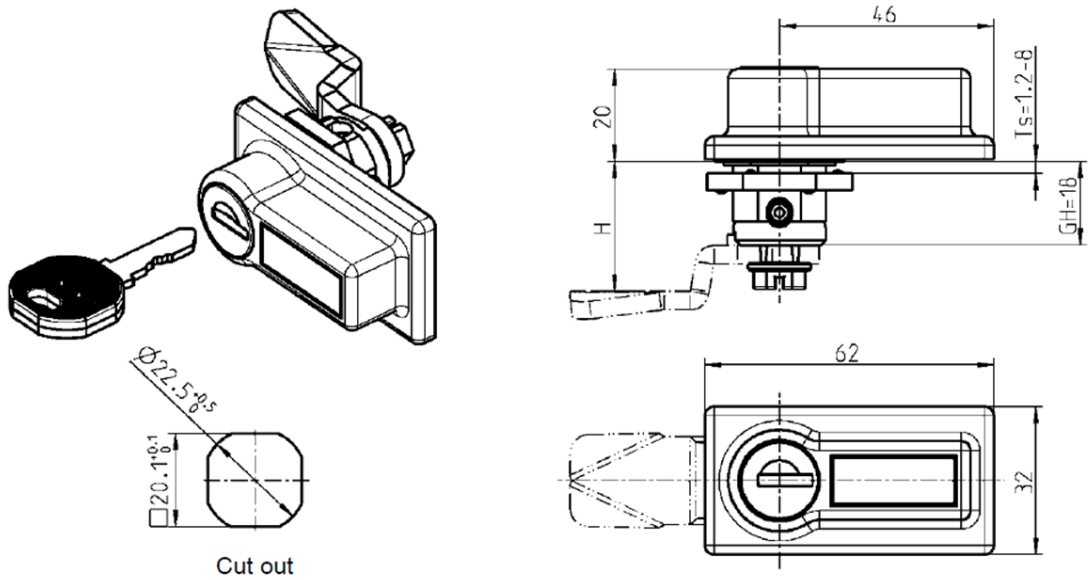


### 4. UDH03 - Handle with padlock



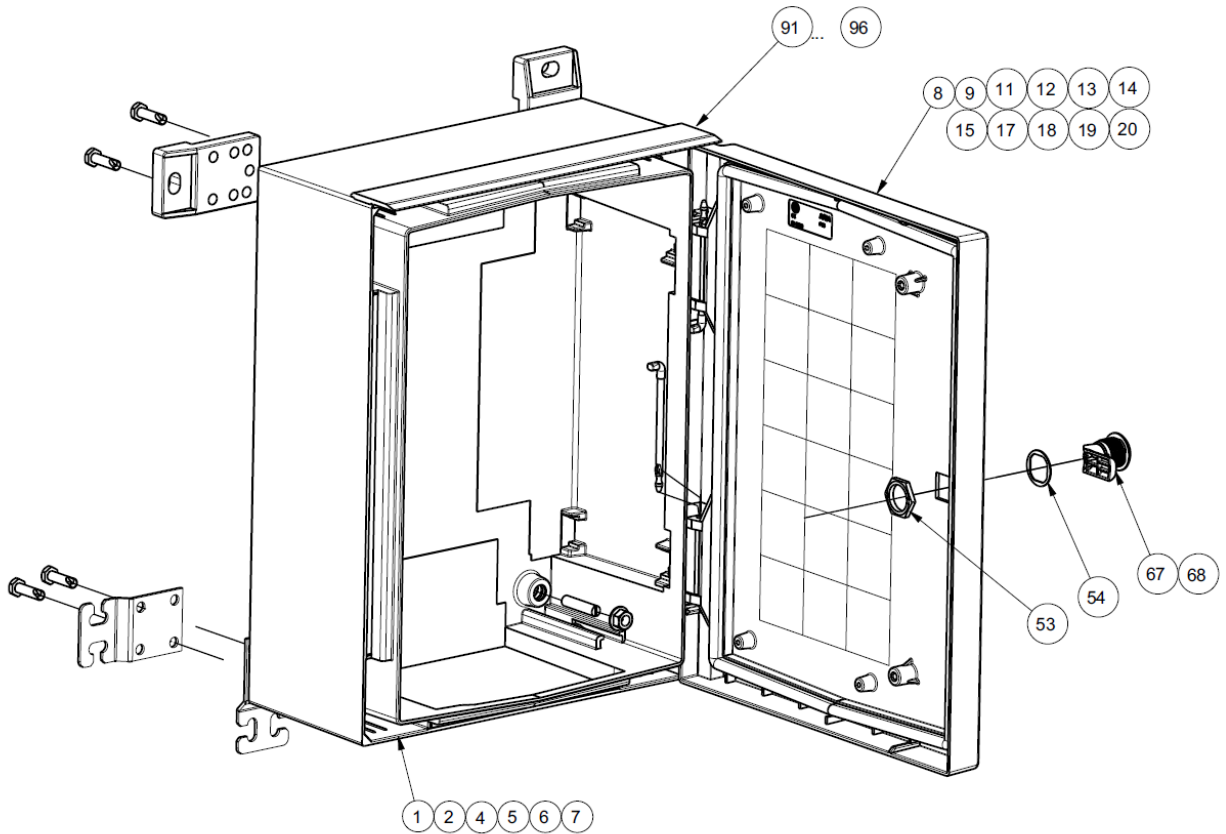
| Ref. | Pic. | Qty. |
|------|------|------|
| A    |      | 1    |
| B    |      | 1    |
| C    |      | 1    |
| D    |      | 1    |

### 5. Handle

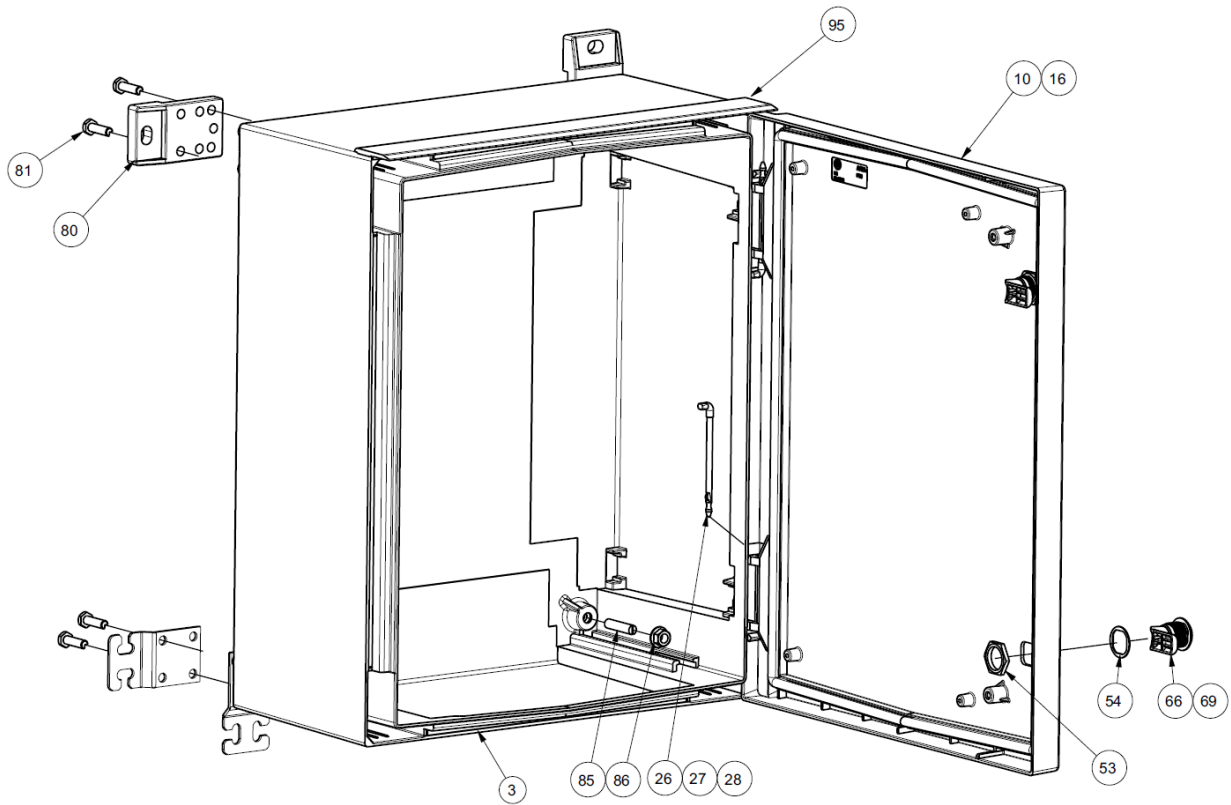


| Item-No. | Description           |
|----------|-----------------------|
| UDH0C    | Neutral handle        |
| UDH1C    | Handle with key E2432 |

### 6. UCP/UCPT with 1-point locking



7. UCP/UCPT with 2-point locking



8. UCP/UCPT with 3-point double-bit

