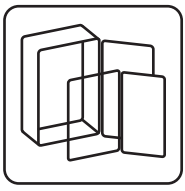
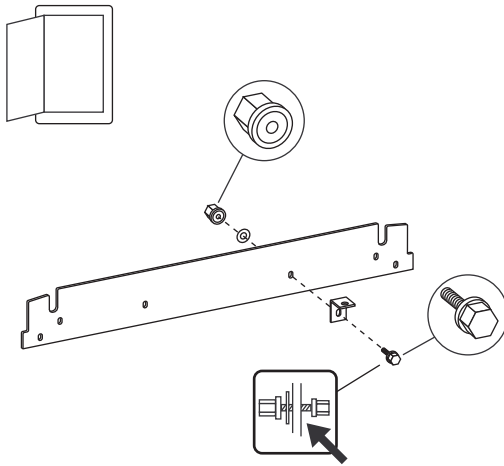


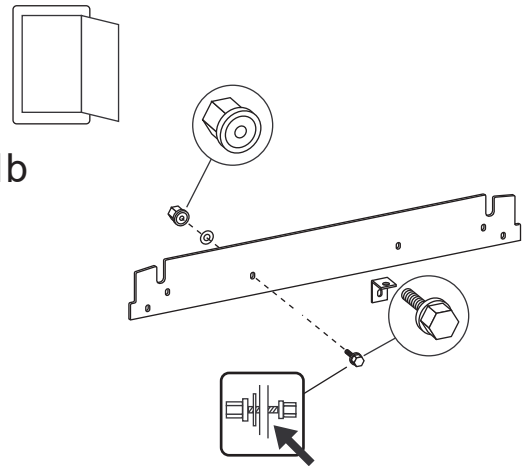
UID



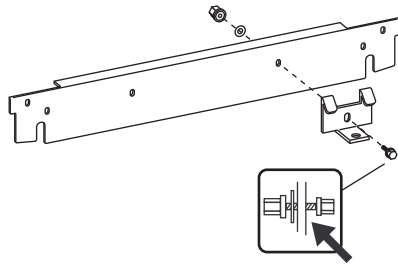
1a



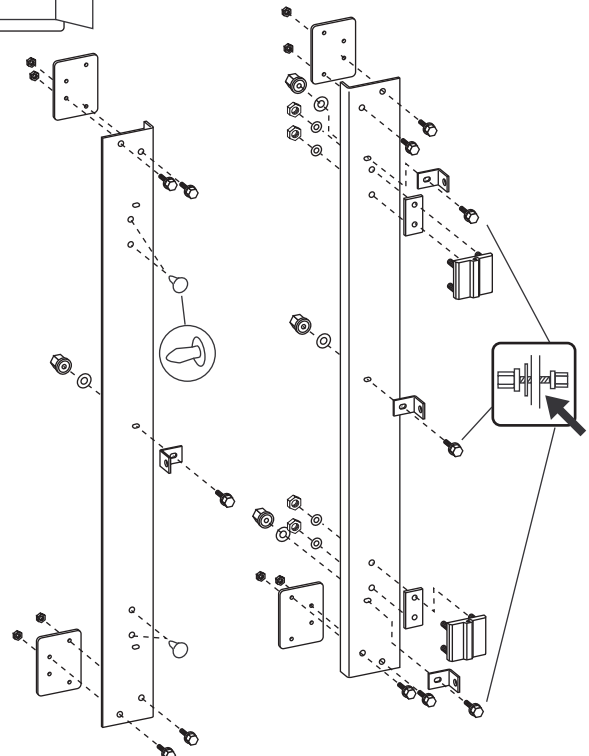
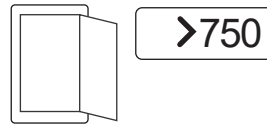
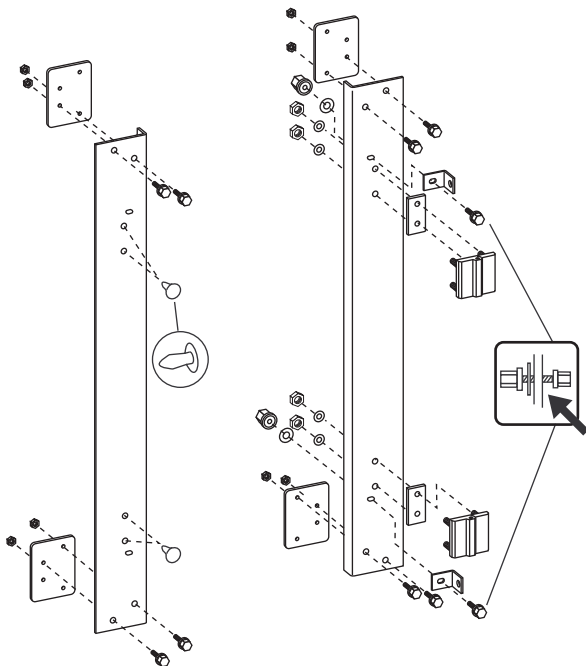
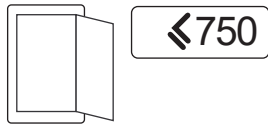
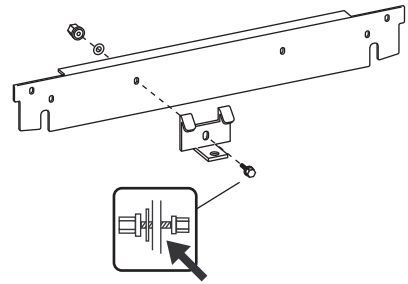
1b



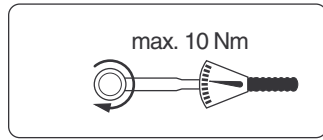
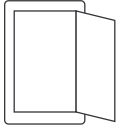
2a



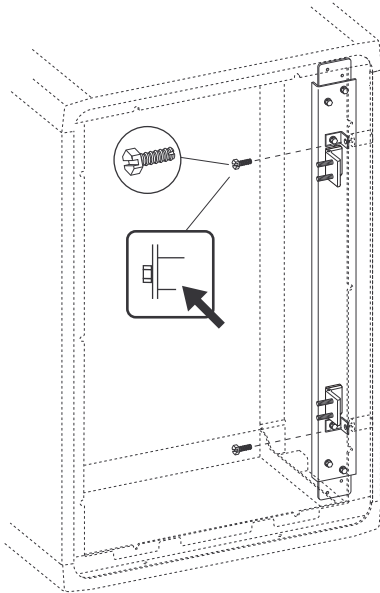
2b



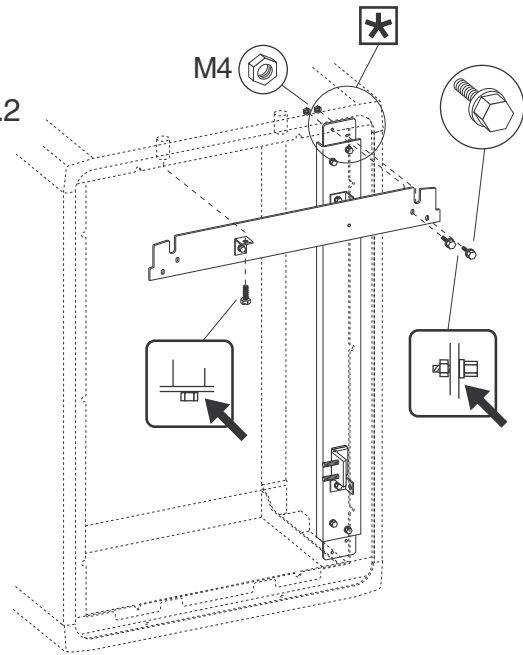
4



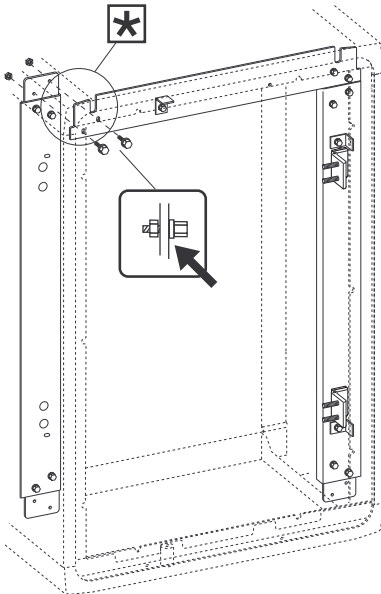
4.1



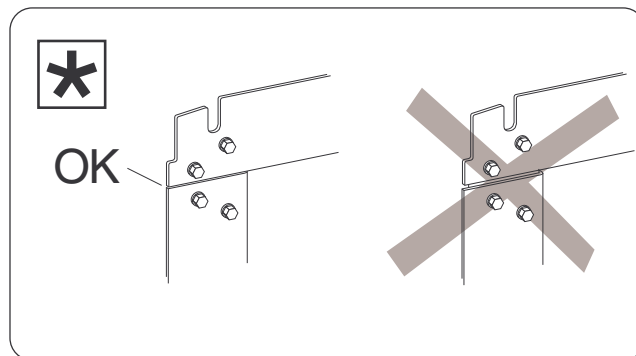
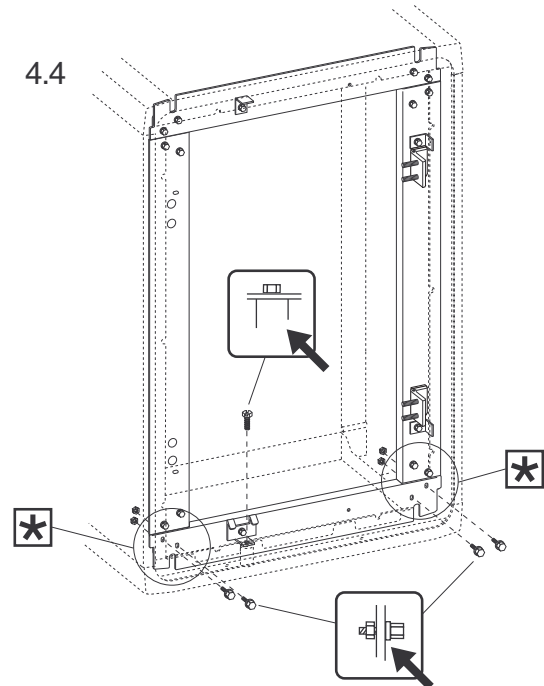
4.2

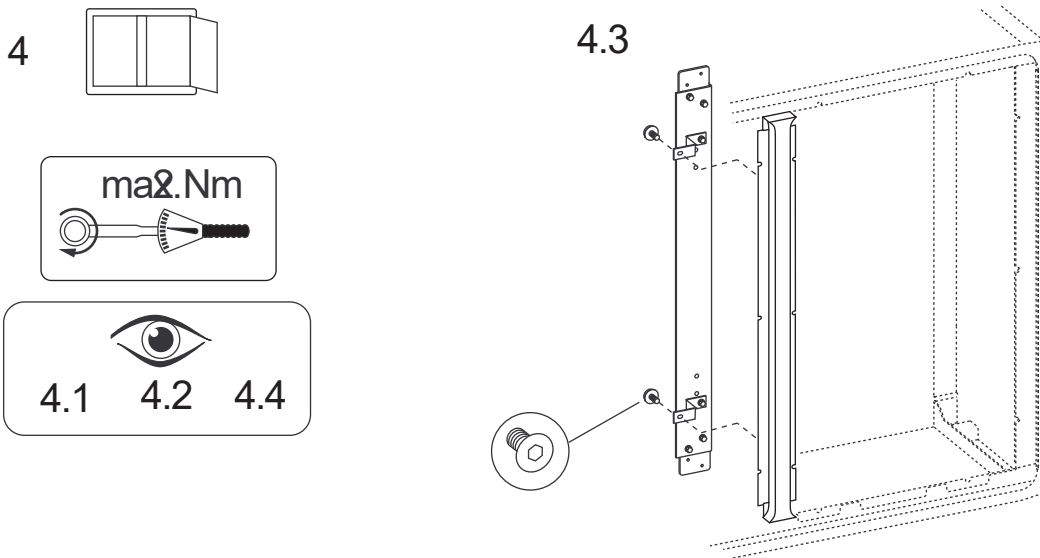
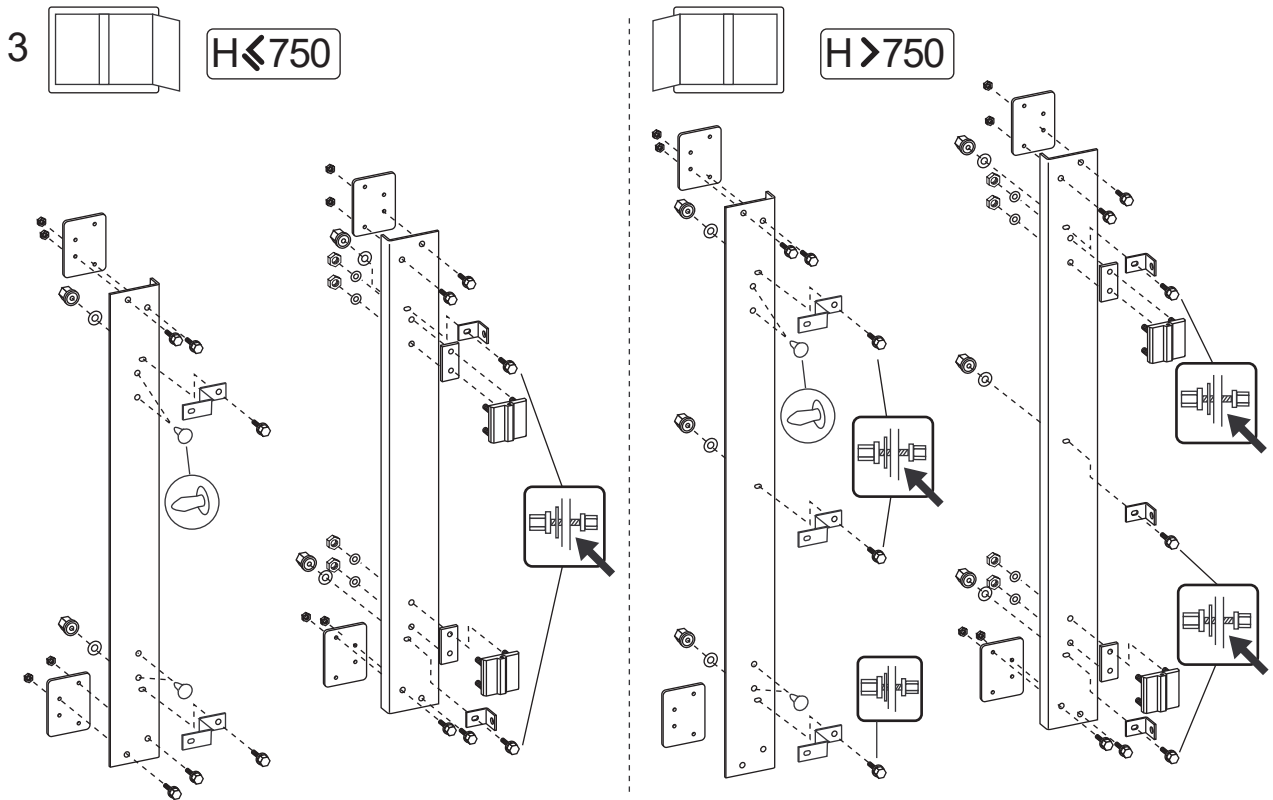
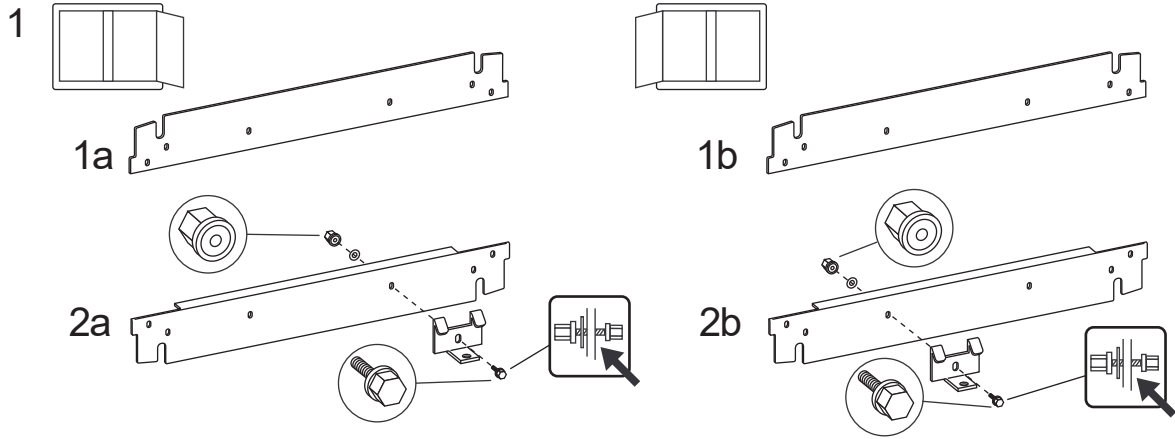


4.3

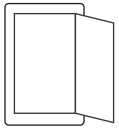


4.4



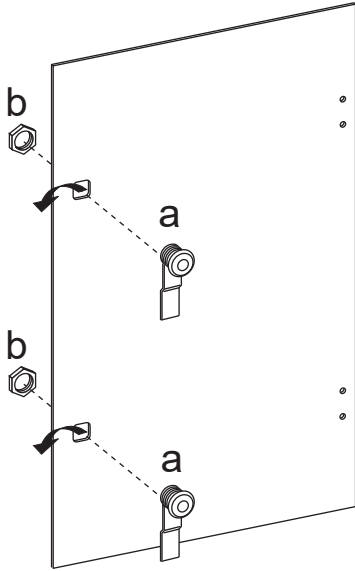


5

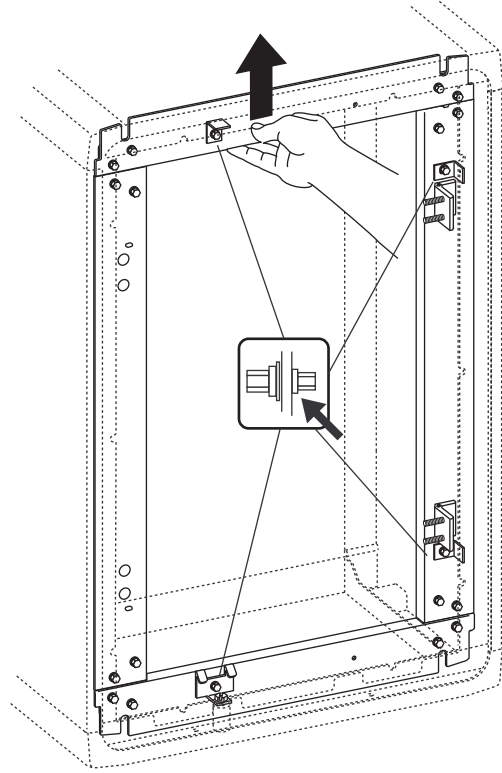


H < 750 1xab

H > 750 2xab



6



7

