

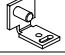
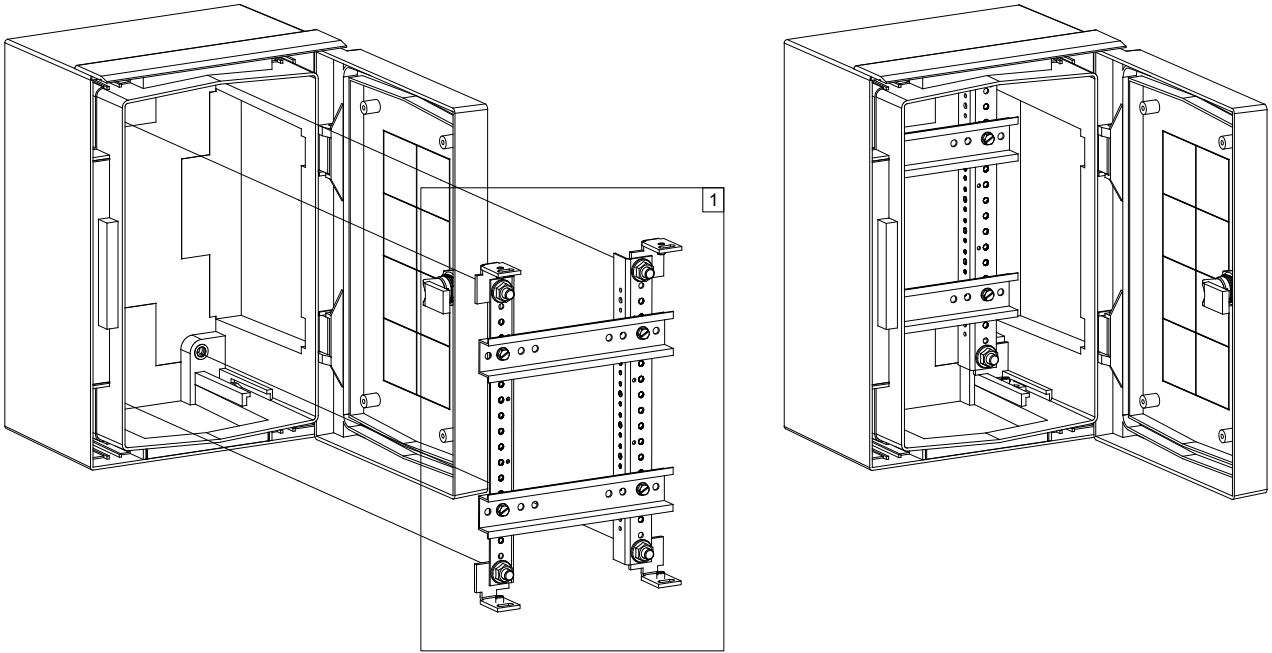




UMF/UCD

Ref.	Pic.	Qty.
A	 M8	4
B	 M6x12	4
C	 UCD	4



2x DIN rail

C

Torque
8-10 Nm

A

B

Torque
6-8 Nm

