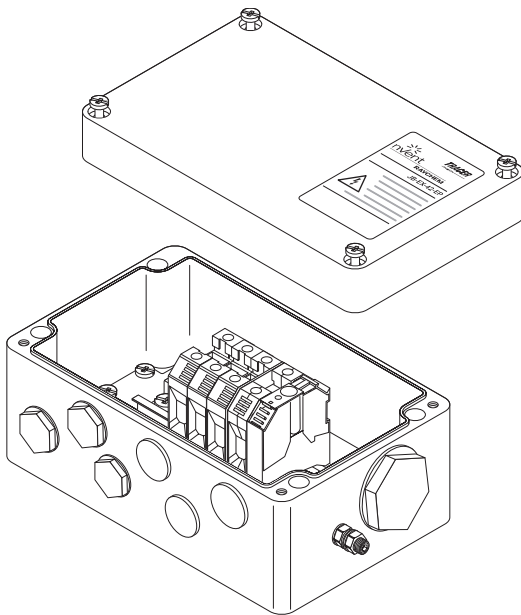


JB-EX-42-EP

CONNECT AND PROTECT

Multi purpose junction box

PRODUCT OVERVIEW



Industrial polyester junction box with earth plate for use in hazardous areas. This box can be used to make connections between power cables, heating cables and cold lead cables using M25 metallic connection kits or glands. Earthing of the connections is realized via the earth plate

Depending on the configuration of the system, the box can accommodate 6 cold lead entries and/or a power cable.

M25 connection kits have to be ordered separately or are integrated in the heating unit (eg MI heating units), depending on the type of heating cable being used. Cable connection is accomplished via DIN rail mounted spring-type terminals.

The box can be either wall or pipe mounted via the four holes moulded in the base of the box. For pipe mounting use one of the standard support bracket.

Typical use

Power supply box, end-box (3-Phase), (power) splice box, (power) tee box, marshalling box.

Entries

6 x M25

1 x M40

Kit contents

1 x junction box with terminals on DIN rail

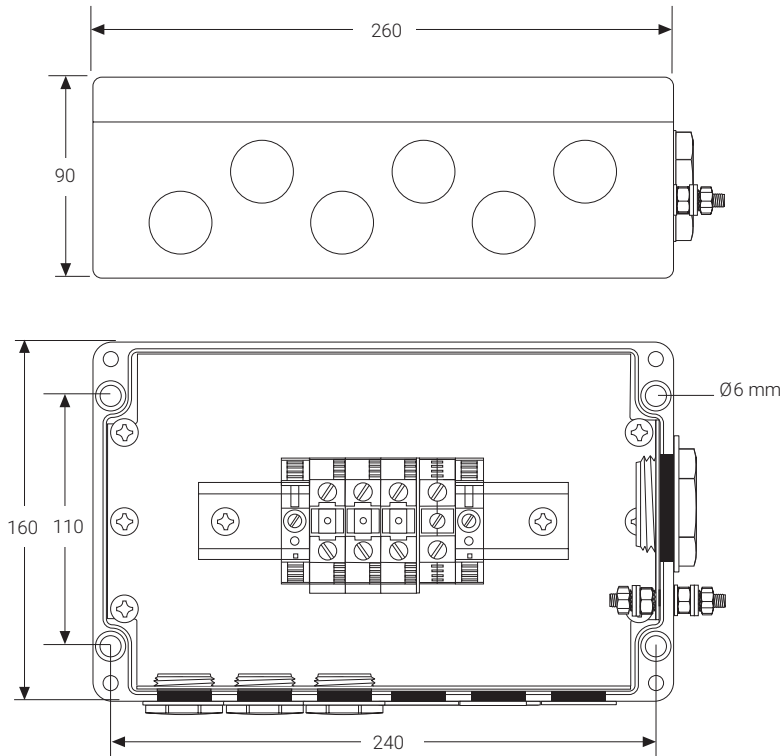
3 x M25 stopping plugs

3 x M25 rain plug (temporary)

1 x M40 stopping plug

PRODUCT SPECIFICATIONS

Dimensions (in mm)



Materials of construction

Box & lid	Electrostatic charge-resistant glass-filled engineered polymer, black
Sealing gasket	Silicone rubber
Lid fixing screws	Stainless steel (captive)

Technical details

Ingress protection	IP66
Ambient temperature range	-55°C to +55°C
Terminals	
Quantity and Type	3 pcs WDU35 screw terminals 1 pc WPE35 earth terminal for power cable
	Junction box can accommodate up to 6 fully loaded phase/neutral terminals (maximum 8 terminals in total)
Labeling	1, 2, 3 + PE
Minimum conductor size	2.5 mm ² (solid & stranded)
Maximum conductor size	35 mm ² (solid & stranded)
Maximum operating voltage	690 Vac
Maximum operating current	100 A

APPROVALS

For use in ordinary and hazardous area Zone 1 and Zone 2 (Gas), Zone 21 and Zone 22 (Dust)

Temperature classification

T6

Product certification

Present logos of available certificates



More details about product certification, approvals and conditions of safe use are available in the installation manual at www.nVent.com/RAYCHEM

ORDERING INFORMATION

Order reference JB-EX-42-EP

PN (Weight) 1244-020507 (2 kg)

Accessories (to be ordered separately)

Support bracket 2 x SB-111

Gland for MI cold leads Integrated in MI heating unit or contact nVent for more information

Gland for power cable GL-51-M40 (Polyamide)
up to -55°C, 17-28 mm

Loose terminals (*)	35 mm ² phase/neutral terminal:	HWA-WDM-PHASE-35
	35 mm ² earth terminal:	HWA-WDM-EARTH-35
	Endplate:	HWA-WDM-PLATE
	Terminal jumper (2):	HWA-WDM-JUMPER-35-2
	Terminal jumper (3):	HWA-WDM-JUMPER-35-3

Gland for MI cold leads In case of factory terminated units, already present.

(*) in total no more than 8 terminals should be installed.

North America

Tel +1.800.545.6258
Fax +1.800.527.5703
thermal.info@nVent.com

Europe, Middle East, Africa

Tel +32.16.213.502
Fax +32.16.213.604
thermal.info@nVent.com

Asia Pacific

Tel +86.21.2412.1688
Fax +86.21.5426.3167
cn.thermal.info@nVent.com

Latin America

Tel +1.713.868.4800
Fax +1.713.868.2333
thermal.info@nVent.com



Our powerful portfolio of brands:

CADDY ERICO HOFFMAN RAYCHEM SCHROFF TRACER