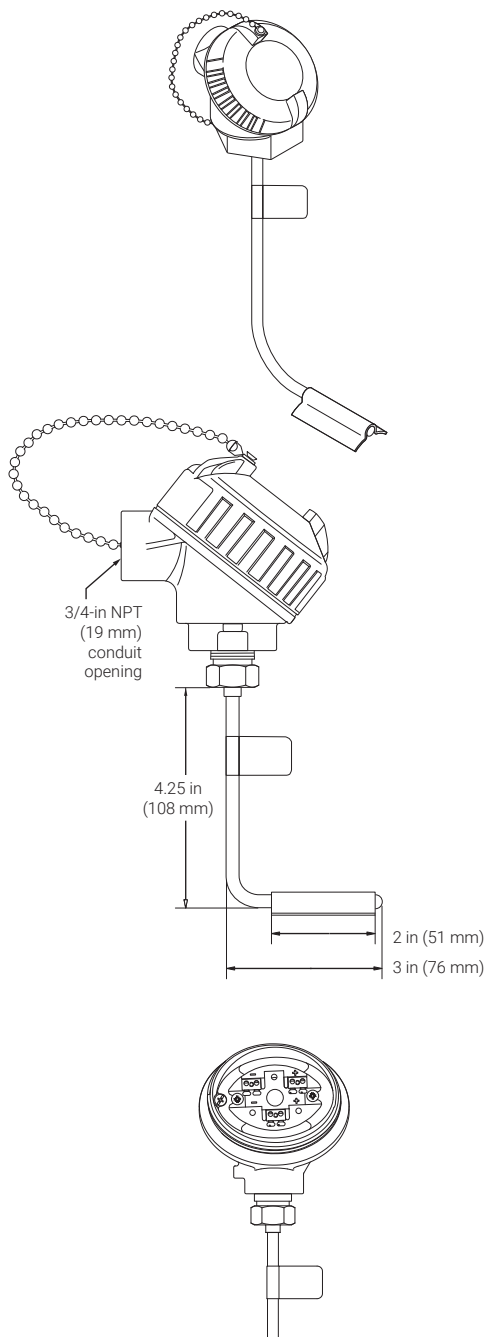


# RTD7AL-SS

## CONNECT AND PROTECT

### RTD Temperature Sensor for Temperature Measurement up to 900°F (482°C) in Division 1 Locations

#### PRODUCT OVERVIEW



The RTD7AL-SS temperature sensor is a three-wire platinum RTD (resistance-temperature detector) typically used with monitoring and control systems when accurate temperature control is required. The sensor is explosion-proof and approved for Division 1 hazardous locations. The RTD7AL-SS can be used with a wide variety of nVent RAYCHEM monitoring and control systems.

#### SPECIFICATIONS

Sensor housing	316 stainless steel
Sensor sheath	316 stainless steel
Range	-100°F to 900°F (-73°C to 482°C) maximum
Accuracy	±1°F (0.5°C) at 32°F (0°C)
Resistance	100 ohms at 0°C $\alpha = 0.00385$ ohms/ohm/°C
Connection	3/4-in (19 mm) NPT conduit hub

**Note:** The length of RTD extension wires is determined by the wire gauge used. To reduce the likelihood that electrical noise will affect temperature measurement, keep RTD extension wires as short as possible. Use shielded instrument cable such as RAYCHEM MONI-RTD-WIRE (22 AWG, PVC insulation, -30°F to 140°F, -20°C to 60°C) or Belden 83553 (22 AWG, FEP insulation, -95°F to 395°F, -70°C to 200°C).

Operating Ambient	-40°F to 212°F (-40°C to 100°C) for all gas groups except Group A. -4°F to 212°F (-20°C to 100°C) for gas Group A
-------------------	---

#### ADDITIONAL MATERIALS REQUIRED

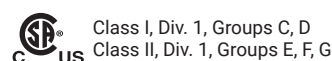
Pipe strap, conduit, 16–22 AWG shielded instrument cable

#### KIT CONTENTS

One RTD temperature sensor

#### APPROVALS

The RTD7AL-SS is CSA certified to U.S. and Canadian standards.



**North America**

Tel +1.800.545.6258  
Fax +1.800.527.5703  
thermal.info@nVent.com

**Europe, Middle East, Africa**

Tel +32.16.213.511  
Fax +32.16.213.604  
thermal.info@nVent.com

**Asia Pacific**

Tel +86.21.2412.1688  
Fax +86.21.5426.3167  
cn.thermal.info@nVent.com

**Latin America**

Tel +1.713.868.4800  
Fax +1.713.868.2333  
thermal.info@nVent.com



Our powerful portfolio of brands:

**CADDY ERICO HOFFMAN RAYCHEM SCHROFF TRACER**