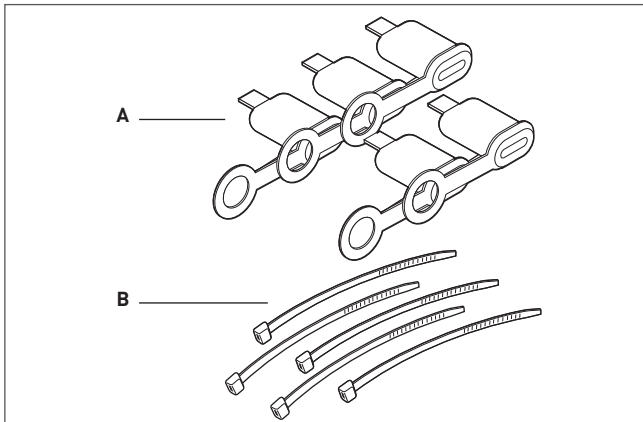




RAYCHEM

E-100-LBTV2-BOOT-5/PACK

High-Profile End Seal Boot Installation Instructions



DESCRIPTION

The nVent RAYCHEM E-100-LBTV2-BOOT-5/PACK kit contains five replacement boots for use with the E-100-LBTV2 end seals. Boots may be used several times on the same heating cable end. Do not reuse a boot on another heating cable. Also, boots should be replaced whenever they are damaged or the sealant appears dry or contaminated or is missing. These boots must be used with the entire E-100-LBTV2 end seal kit; they must not be used alone.

The boots may be installed at temperatures as low as -40°F (-40°C). For easier installation, store kit above freezing until installation.

For technical support call nVent at (800) 545-6258.

TOOLS REQUIRED

- Wire cutters
- Adjustable pliers

KIT CONTENTS

Item	Qty	Description
A	5	Boots
B	5	Cable ties

⚠ WARNING:

This component is an electrical device that must be installed correctly to ensure proper operation and to prevent shock or fire. Read these important warnings and carefully follow all of the installation instructions.

- To minimize the danger of fire from sustained electrical arcing if the heating cable is damaged or improperly installed, and to comply with the requirements of nVent, agency certifications, and the National Electrical Code, ground-fault equipment protection must be used on each heating cable branch circuit. Arcing may not be stopped by conventional circuit protection.
- Component approvals and performance are based on the use of nVent-specified parts only. Do not substitute parts or use vinyl electrical tape.

- The black heating cable core is conductive and can short. It must be properly insulated and kept dry.
- Keep components and heating cable ends dry before and during installation.
- Damaged bus wires can overheat or short. Do not break braid or bus wire strands when scoring the jacket or core.
- Bus wires will short if they contact each other. Keep bus wires separated.
- Leave these installation instructions with the user for future reference.

⚠ CAUTION:

HEALTH HAZARD: Prolonged or repeated contact with the sealant in the end seal boot may cause skin irritation. Wash hands thoroughly.

Overheating or burning the sealant will produce fumes that may cause polymer fume fever.

Avoid contamination of cigarettes or tobacco. Consult MSDS VEN 0058 for further information.

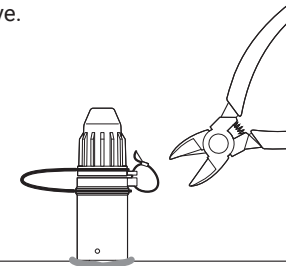
CHEMTREC 24-hour emergency telephone:
(800) 424-9300

Non-emergency health and safety information:
(800) 545-6258.

1

- Turn off power.
- Clip cable tie and remove.

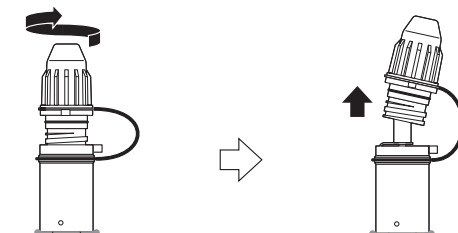
⚠ WARNING: Shock Hazard.
Conductors will be exposed. Re-entry should be performed by a qualified electrician. Follow standard electrical lockout procedures before opening end seal.



END SEAL
 ELECTRIC TRACED
 Raychem

2

- Remove cap.



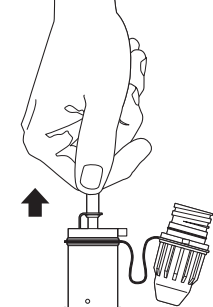
END SEAL
 ELECTRIC TRACED
 Raychem

END SEAL
 ELECTRIC TRACED
 Raychem

3

- Remove boot.

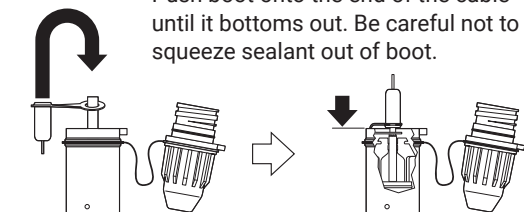
⚠ CAUTION: Health Hazard. Wash hands after contact with sealant. Consult material safety data sheet VEN 0058.



END SEAL
 ELECTRIC TRACED
 Raychem

4

- Place loop of new boot around the cable.
- Push boot onto the end of the cable until it bottoms out. Be careful not to squeeze sealant out of boot.

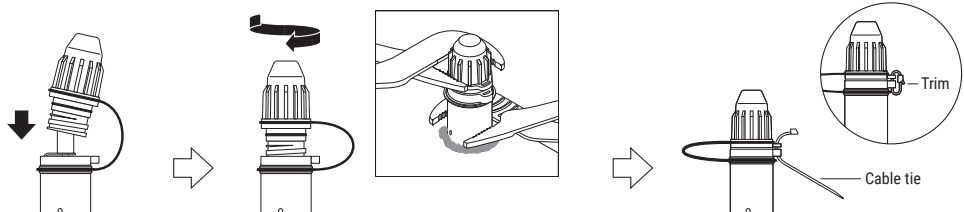


END SEAL
 ELECTRIC TRACED
 Raychem

END SEAL
 ELECTRIC TRACED
 Raychem

5

- Install cap; tighten until slots on cap and stand align.
- Install cable tie.



END SEAL
 ELECTRIC TRACED
 Raychem

END SEAL
 ELECTRIC TRACED
 Raychem

END SEAL
 ELECTRIC TRACED
 Raychem

North America
 Tel +1.800.545.6258
 Fax +1.800.527.5703
 thermal.info@nvent.com

Europe, Middle East, Africa
 Tel +32.16.213.511
 Fax +32.16.213.604
 thermal.info@nvent.com

Asia Pacific
 Tel +86.21.2412.1688
 Fax +86.21.5426.3167
 cn.thermal.info@nvent.com

Latin America
 Tel +1.713.868.4800
 Fax +1.713.868.2333
 thermal.info@nvent.com



nVent.com

©2018 nVent. All nVent marks and logos are owned or licensed by nVent Services GmbH or its affiliates. All other trademarks are the property of their respective owners. nVent reserves the right to change specifications without notice.