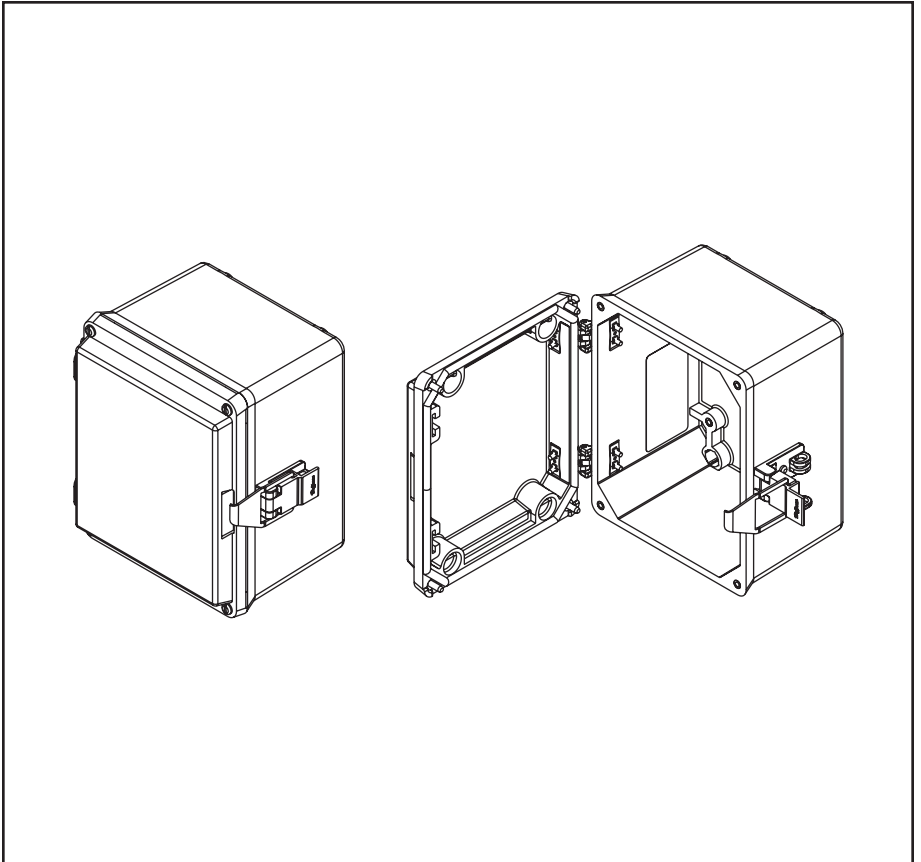
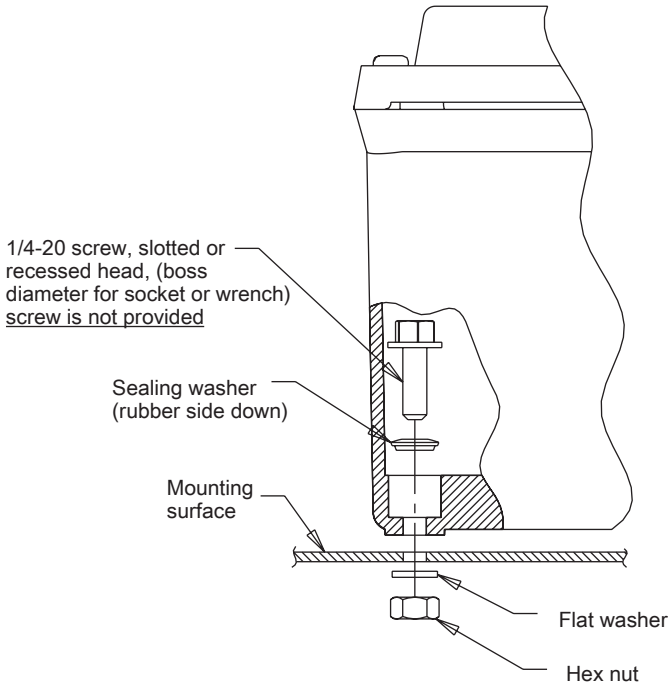


A50 Fiberglass Small Enclosure



MOUNTING WITHOUT FEET



Instruction Steps:

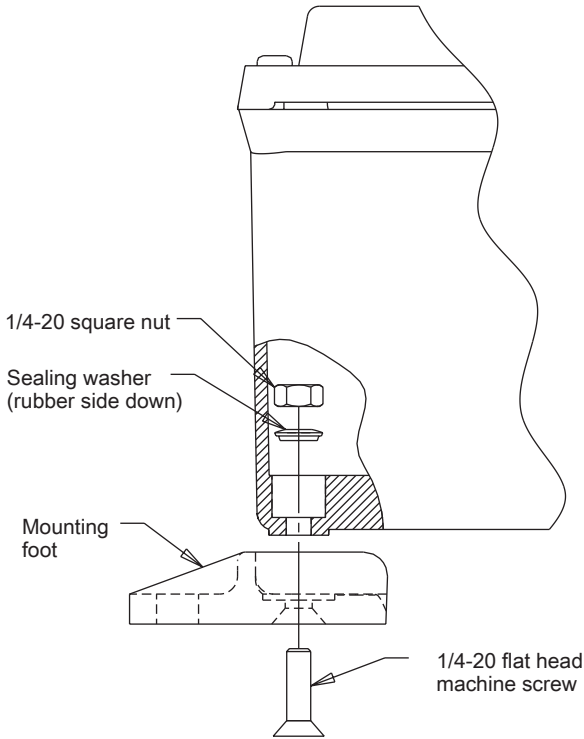
1. Place sealing washers and 1/4–20 screws in corner bosses of enclosure.
2. Align screws protruding from rear of enclosure with holes on the mounting surface. Feed screws through holes and secure with 1/4–20 nuts and washers.

NOTE: Sealing washers are included and are required to maintain the integrity of the enclosure. All other hardware is not provided and those items shown are merely suggestions. Any type of 1/4" screws, washers, and nuts are acceptable as long as the screw head is slotted or has a recessed head. The bosses in the enclosure do not provide clearance for a wrench or socket.

3. When connecting conduit to this enclosure, use only U.L. listed or recognized conduit hubs that have the same environmental type rating as the enclosure rating.
4. Conduit hubs must be connected to the conduit before being connected to the enclosure.
5. In order to maintain a UL/CSA 3R rating, a 1/4" (6 mm) diameter hole must be drilled on the bottom surface of the enclosure at the lowest point.

MOUNTING WITH FEET

UL/CSA requirement: Use of mounting feet mandatory on all type 3, 4, 4X applications.



Instruction Steps:

1. Place sealing washers and square nuts in corner bosses of enclosure.
2. Insert flat head screws through mounting feet, enclosure mounting holes, sealing washers, and square nuts. Finally, tighten all fasteners.

NOTE: Sealing washers are included and are required to maintain the integrity of the enclosure. Flat head screws and square nuts are included with the mounting foot kit which must be purchased separately.

3. When connecting conduit to this enclosure, use only U.L. listed or recognized conduit hubs that have the same environmental type rating as the enclosure rating.
4. Conduit hubs must be connected to the conduit before being connected to the enclosure.
5. In order to maintain a UL/CSA 3R rating, a 1/4" (6 mm) diameter hole must be drilled on the bottom surface of the enclosure at the lowest point.

WARNING



To avoid electric shock, grounding must be installed by the customer as part of the installation. Non-metallic enclosures do not provide grounding between conduit connections.

GROUNDING OF EQUIPMENT AND CONDUIT

Ground in accordance with the requirements of the National Electrical Code.

Conduit hubs for metallic conduit must have a grounding bushing attached to the hub on the inside of the enclosure. Grounding bushings have provisions for connection of a grounding wire.

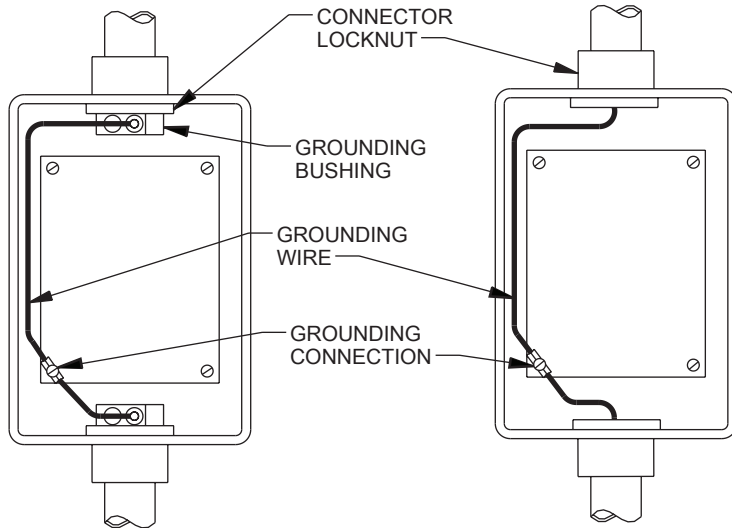
Non-metallic conduit and hubs require the use of a grounding wire in the conduit. Grounding bushings are not required.

System grounding is provided by connection wires from all conduit entries to the subpanel or to other suitable point which provides continuity. Any device having a metal portion or portions extending out of the enclosure must also be properly grounded.

TYPICAL GROUNDING ILLUSTRATIONS

METALLIC CONDUIT

NON-METALLIC CONDUIT



For CALIFORNIA residents only:

WARNING: This product contains chemicals known to the State of California to cause cancer and birth defects or other reproductive harm.

Please note that by posting this Proposition 65 warning, we are notifying you that one or more of the Proposition 65 listed chemicals may be present in this product. With Hoffman's products, the exposure to these chemicals may be of no significant risk to you, but out of caution and to ensure your well-being, we have elected to place this warning on our site to make sure our customers are informed.

You can find more information at <http://www.oehha.ca.gov/proposition-65/about-proposition-65>.