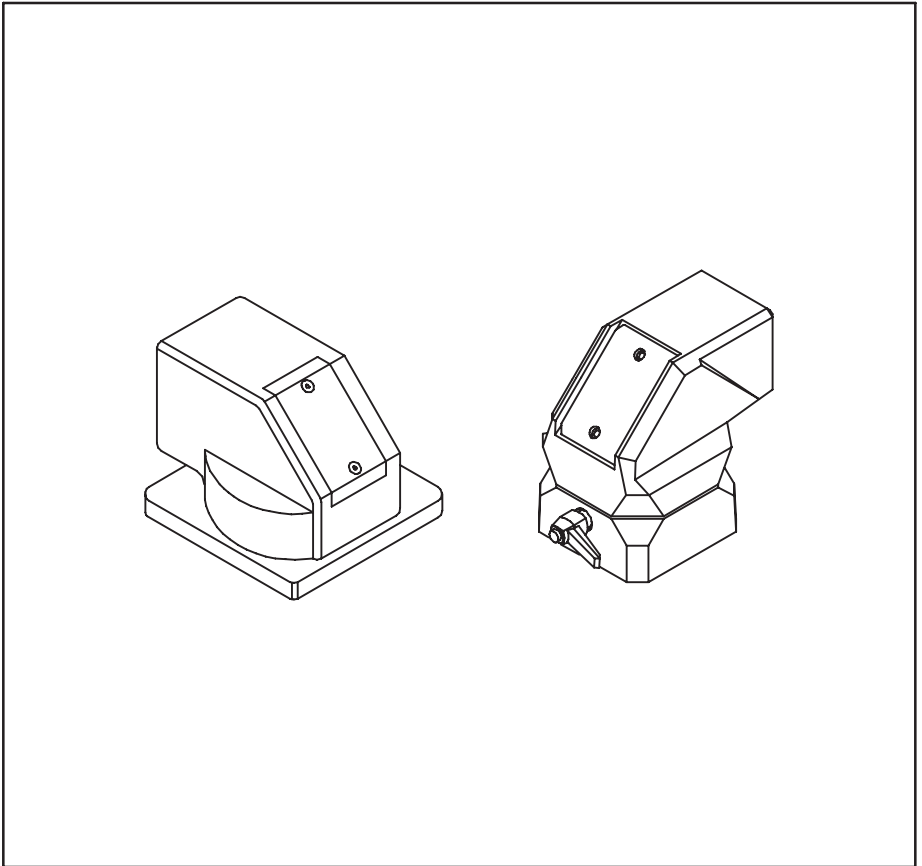


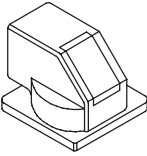
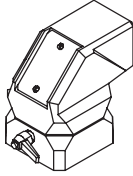
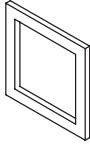
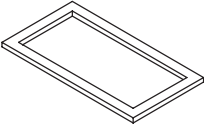
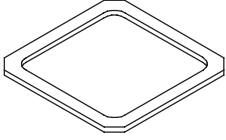
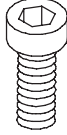
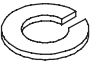


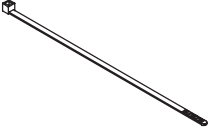



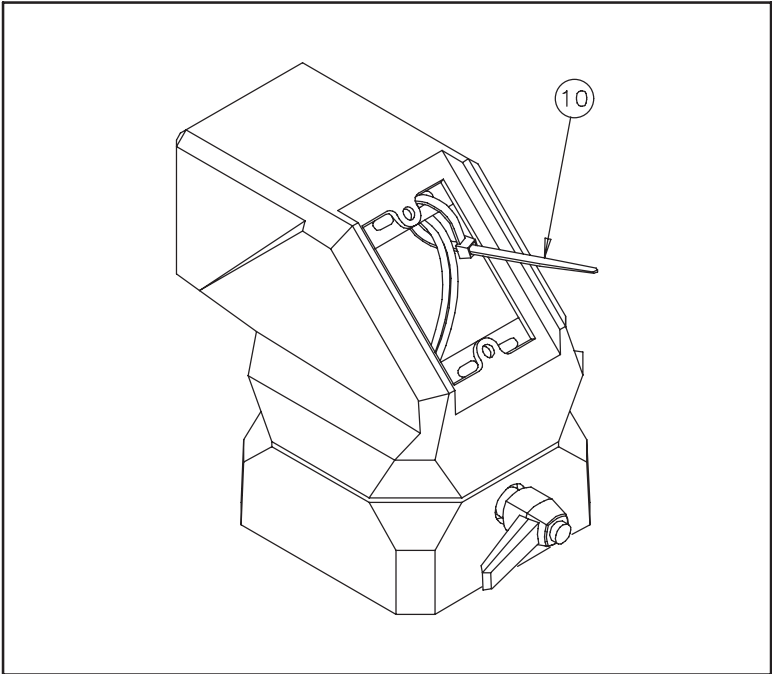
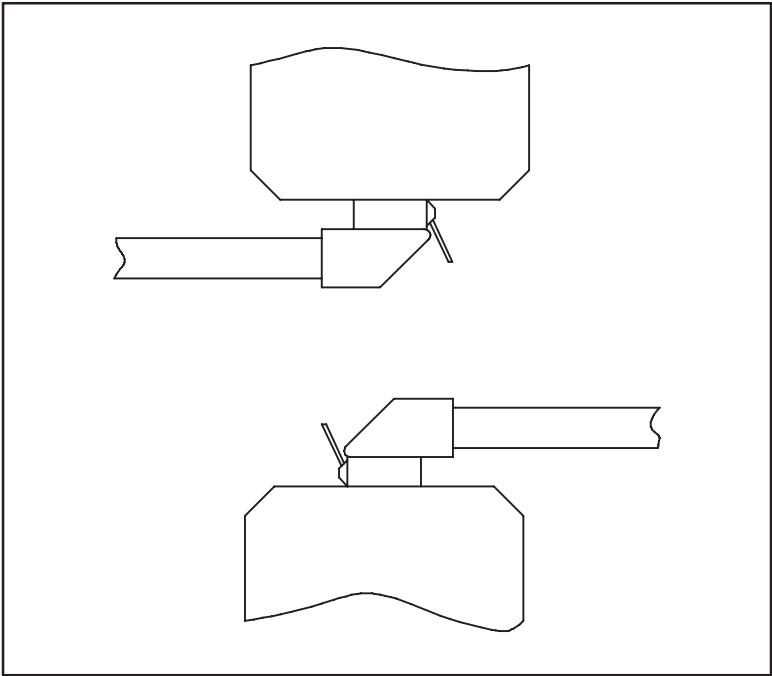
HOFFMAN

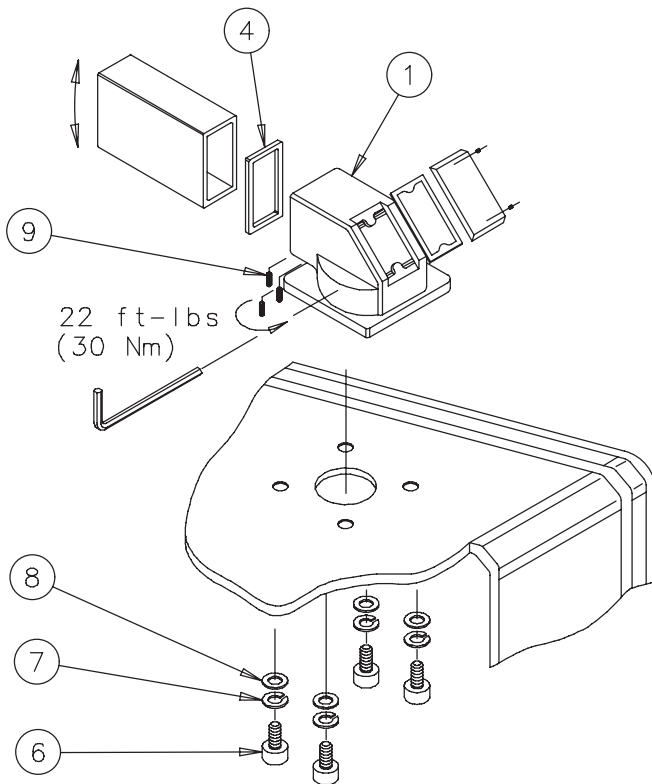
COMPACT®

Flange/Standard Elbow Coupling
Flansch-/Standard-Winkelkupplung
Embout pivotant coudé
Acoplamiento del codo de brida



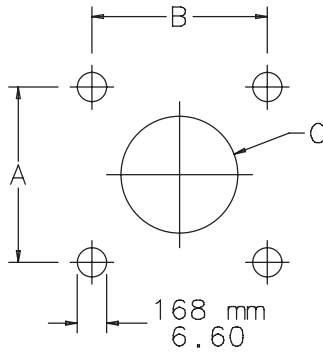
<p>1</p>  <p>80/140 (1x)</p>	<p>2</p>  <p>50/60/80 (1x)</p>	<p>3</p>  <p>(1x)</p>
<p>4</p>  <p>(1x)</p>	<p>5</p>  <p>(1x)</p>	<p>6</p> <p>50/60/80: M6x16 80/140: M6x30</p>  <p>(4x)</p>
<p>7</p>  <p>80/140 (4x)</p>	<p>8</p>  <p>80/140 (4x)</p>	<p>9</p>  <p>(3x) (4x)</p>
<p>10</p>  <p>(1x)</p>	<p>11</p>  <p>50/60/80 (4x)</p>	

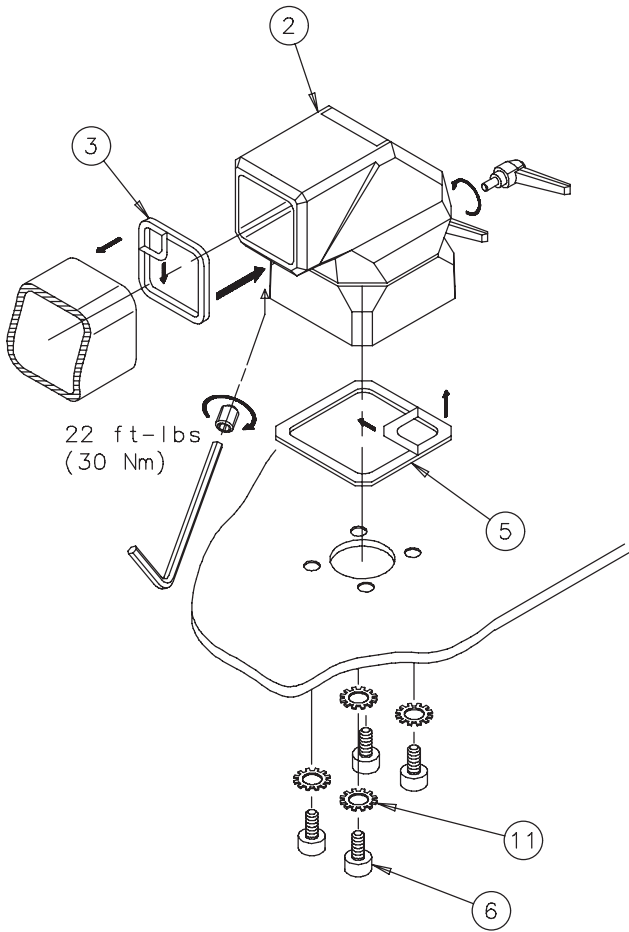




80/140

System	A		B		ØC	
	In.	mm	In.	mm	In.	mm
50	2.36	60	2.36	60	1.97	50
60	2.36	60	2.36	60	2.52	64
80	3.15	80	3.15	80	3.58	91
80/140	6.30	160	6.30	160	6.06	154





50/60/80



HOFFMAN



HOFFMAN