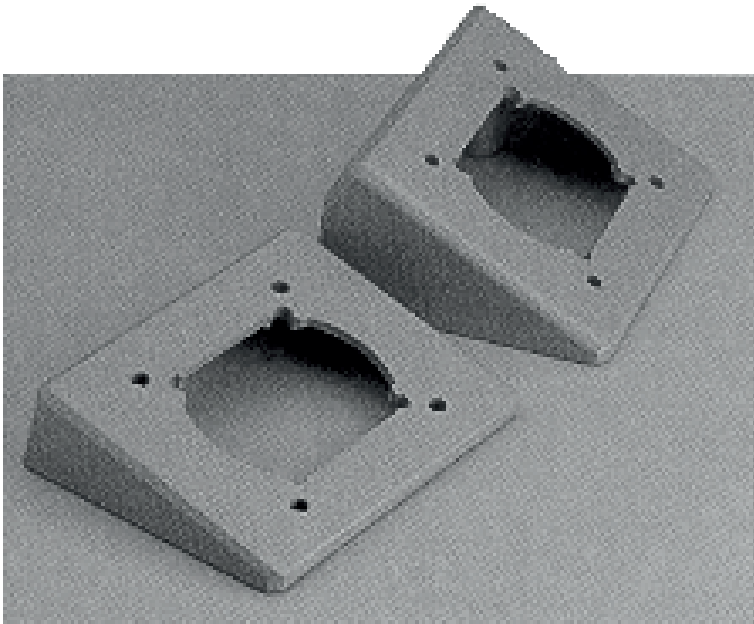




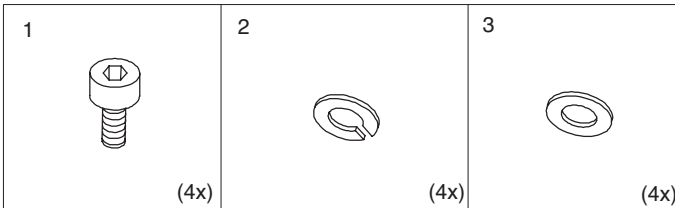
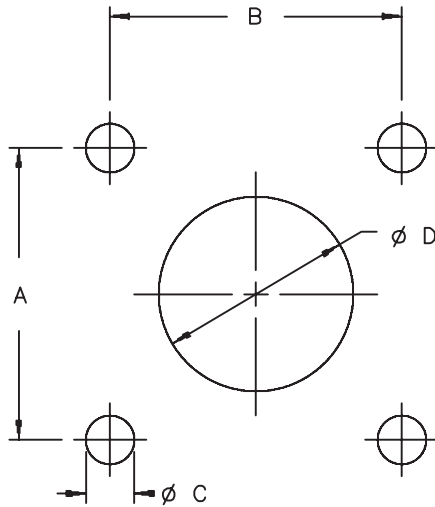
HOFFMAN

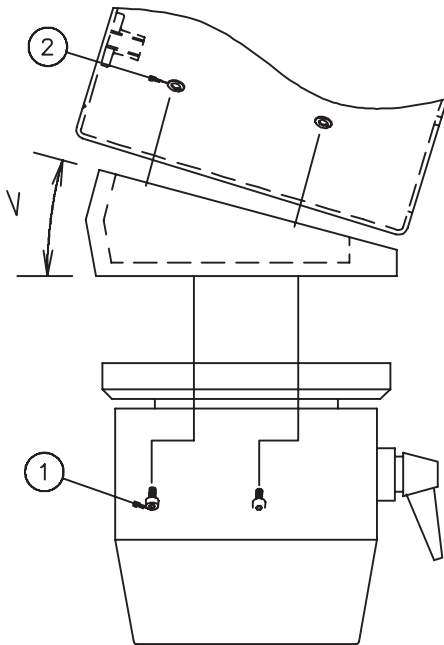
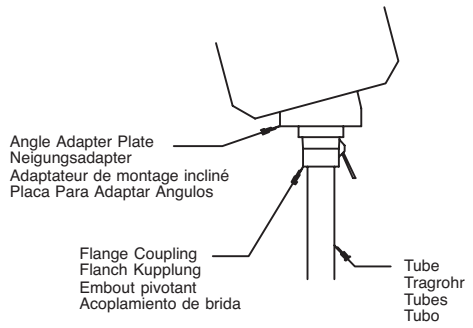
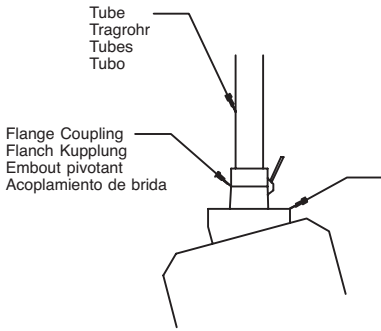
COMPACT®

Angle Adapter Plate
Neigungsadapter
Adaptateur de montage incliné
Placa Para Adaptar Angulos

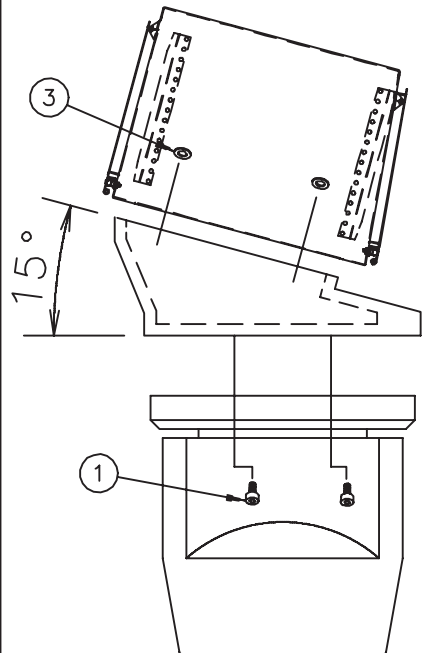


System	A		B		Ø C		Ø D		Angle ∠	
	in.	mm	in.	mm	in.	mm	in.	mm		
50	4.72	120	3.15	80	.26	6.6	1.97	50	15°	30°
60	4.72	120	3.15	80	.26	6.6	2.52	64	15°	30°
80	4.72	120	3.15	80	.26	6.6	3.58	91	15°	30°
80/140	7.48	190	3.93	100	.34	8.6	6.06	154	15°	





System 50, 60, 80



System 80/140



HOFFMAN