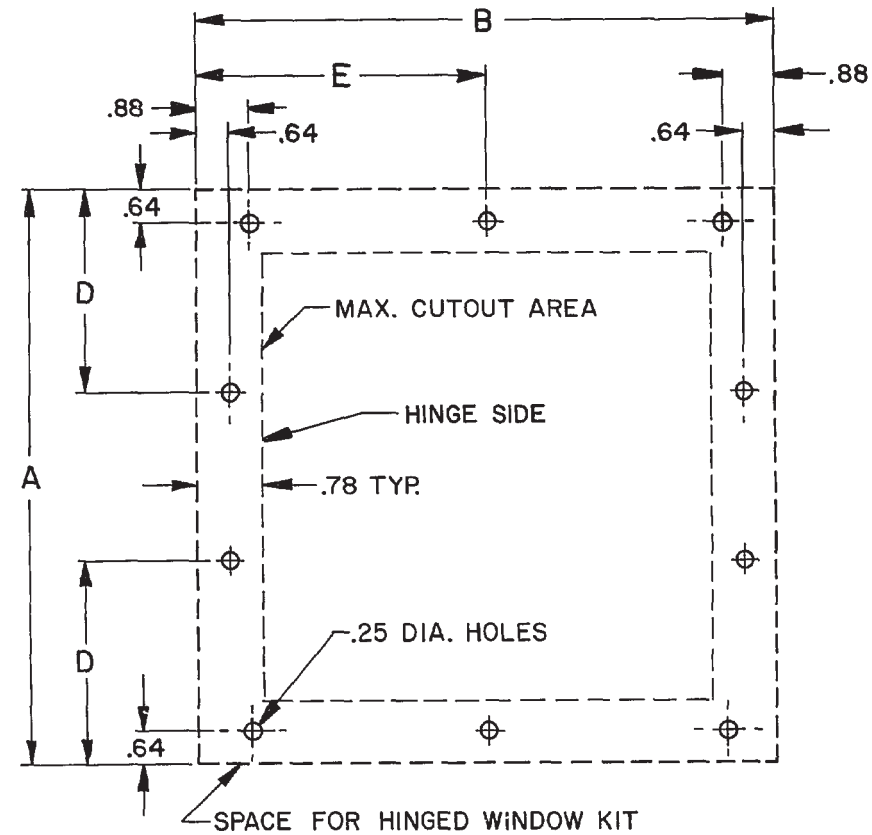


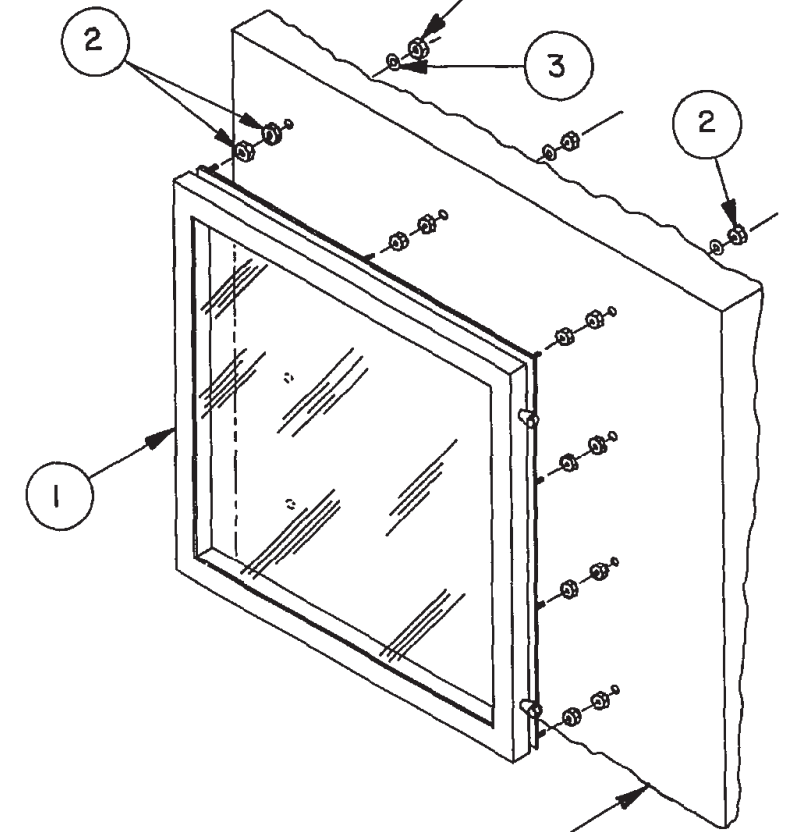
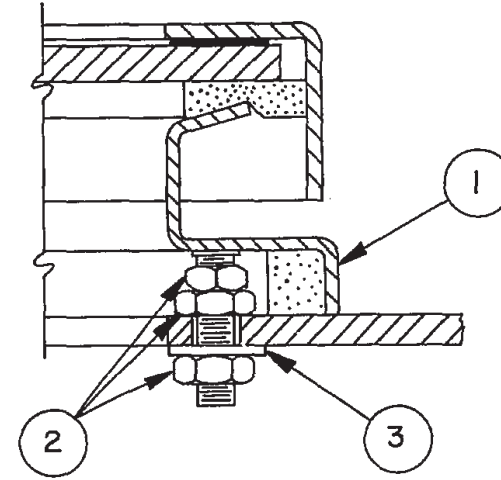
Hinged Window Kit



WARNING

To avoid electric shock, do not energize any circuits before all internal and external electrical and mechanical clearances are checked to assure that all assembled equipment functions safely and properly.

TORQUE TO 20-25 IN/LB



- | ITEM..... | DESCRIPTION |
|-----------|-------------|
| 1 | Window Kit |
| 2 | Nut |
| 3 | Lockwasher |

ENCLOSURE

Catalog Number	A	B	D	E	Number of Holes
APWK1212H	12.00	12.00	—	—	4
APWK1612H	16.00	12.00	8.00	—	6
APWK2016H	20.00	16.00	10.00	8.00	8
APWK2020H	20.00	20.00	10.00	10.00	8
APWK2420H	24.00	20.00	12.00	10.00	8
APWK3024H	30.00	24.00	10.22	12.00	10

INSTRUCTIONS:

1. Drill holes per drilling pattern.
2. Install two nuts per stud; keep flush with the frame edge.
3. Mount frame using one lockwasher and one nut per stud.