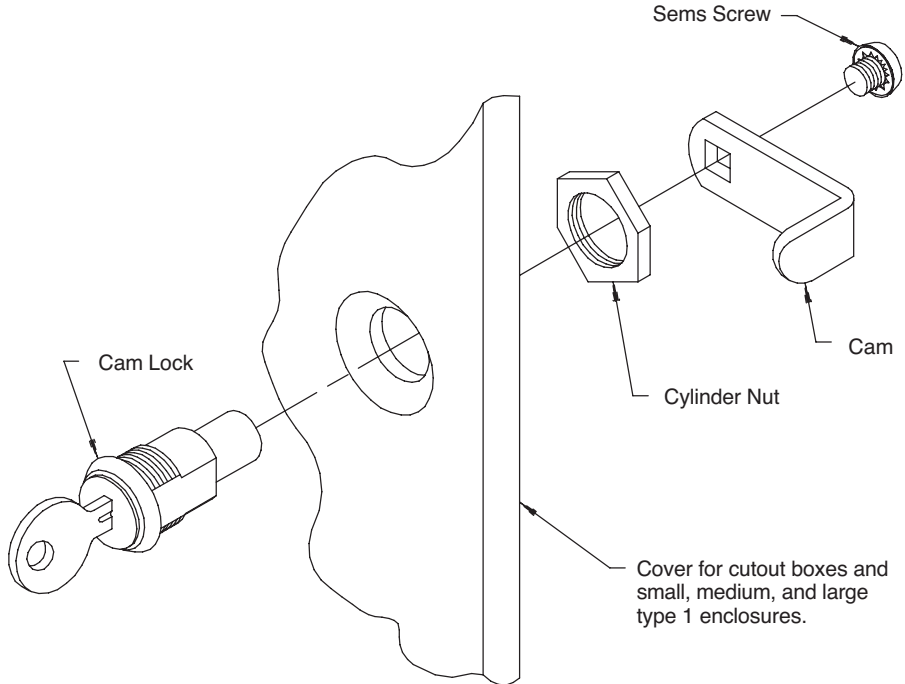


## Cylinder Lock Kit AL12AR



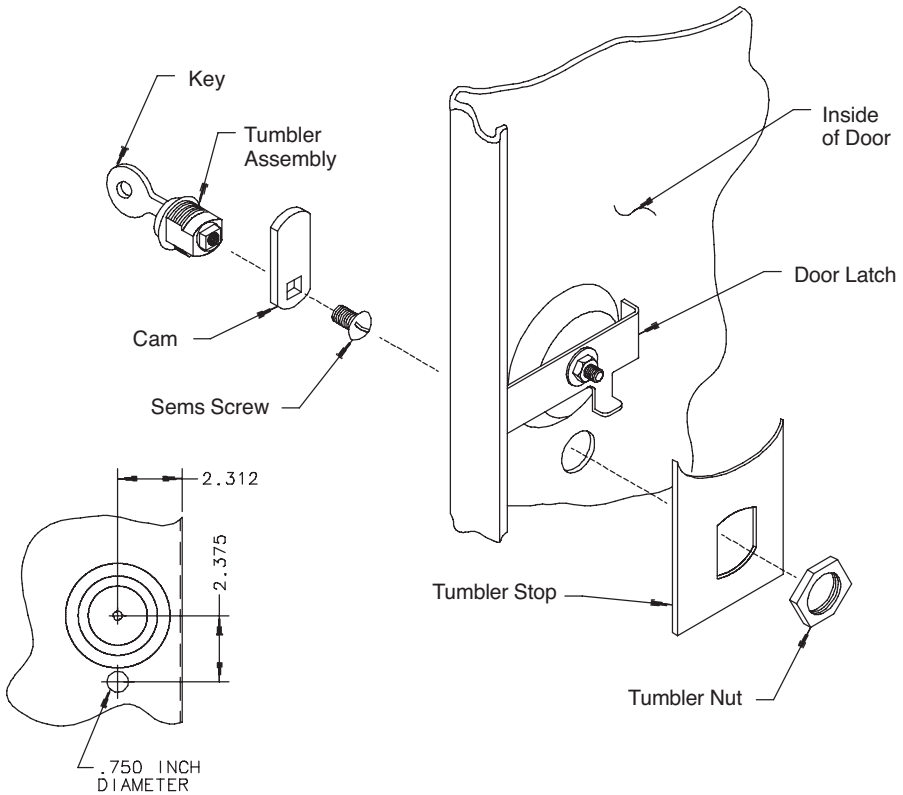
### **INSTALLATION INSTRUCTIONS**

1. Remove existing latch.
2. Insert cylinder lock through cover and fasten with cylinder nut.
3. Install cam with sems screw. Bend cam, if required.

### **WARNING**

To avoid electric shock, do not energize any circuits before all internal and external electrical and mechanical clearances are checked to assure that all assembled equipment functions safely and properly.

# Key Lock Kit For Medium NEMA Type 1 Enclosure AL12AR



Front view of door  
showing lock hole location

## **INSTALLATION INSTRUCTIONS**

1. Install cam to the tumbler assembly using the sems screw.
2. Drill or punch .750 inch diameter hole as shown.
3. Insert tumbler assembly, without disassembling, through .750 inch hole.
4. Slip the tumbler stop and then the tumbler nut over the tumbler assembly as shown. Tighten the tumbler nut firmly.

### **⚠ WARNING**

To avoid electric shock, do not energize any circuits before all internal and external electrical and mechanical clearances are checked to assure that all assembled equipment functions safely and properly.