

DIN Rails



1. DIN rails may be mounted either directly to enclosure studs or to mounting channels (sold separately).
2. If mounting to enclosure studs, line up slots in DIN rails with studs. Attach M8 flanged nut to each stud and torque to 99 in-lbs (11 Nm). See figure 1.
3. If mounting DIN rails to mounting channels, insert one channel nut for each DIN rail into each mounting channel.
4. Attach mounting channels to enclosure studs per separate installation instruction sheet (Ref instruction 64317001).
5. Line up slots in DIN rails with channel nuts. Insert one pan head screw into each nut and torque to 50 in-lbs (5.6 Nm).

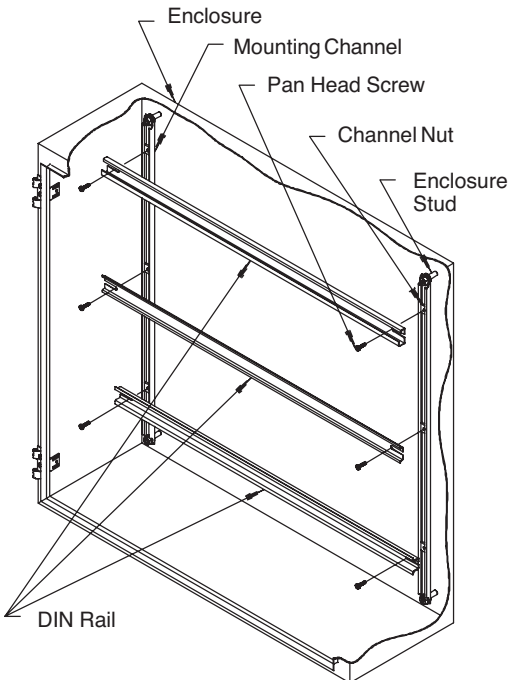


Figure 2

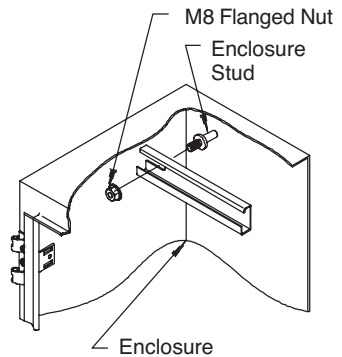


Figure 1