



**HOFFMAN**

For Variable Depth Disconnect Devices  
And For Flexible Cable Disconnect Devices

In Hoffman Bulletin CMD (painted steel)  
Or Hoffman Bulletin CWSD (stainless steel)  
Concept Wall Mounted Disconnect Enclosures



## WARNING

The functions, fits, and clearances of the installation described hereon are calculated from information supplied by the manufactures of the equipment to be installed. Be certain to check the function, fits, and clearances of all equipment both before and after installation to assure that it operates properly and safely and meets all applicable codes, standards, and regulations.

In the event the completed installation does not function properly or fails to meet any such codes, standards, or regulations, do not attempt to make alterations or operate the equipment. Report such facts immediately to:

Hoffman Customer Service  
2100 Hoffman Way  
Anoka, MN 55303  
763 422 2211  
<http://hoffman.nvent.com/contact-us>

## NOTICE

To maintain the environmental rating of this enclosure: install in any opening, only listed or recognized disconnect devices, external mounting feet, or conduit hubs that have the same environmental rating as the enclosure. Install in compliance with the installation instructions of the device.

## INSTALLATION STEPS

**Step 1** - Drill mounting panel per manufacturer's instructions for disconnect device.

**Step 2** - Install operating handle on enclosure flange in holes provided. Follow disconnect manufacturer's instructions.

**Step 3** - Install disconnect device on panel. Follow disconnect manufacturer's instructions for installation and adjustment.

**Step 4** - See figures 1-2 to install Concept padlocking door handle on the outside of the door. See figures 4-7.

**Step 5** - The nVent HOFFMAN installed door catch and door catch bracket feature vertical adjustment and two horizontal mounting positions. In some cases, it may be necessary to use the handle manufacturer's supplied door catch.

See disconnect manufacturer's instructions regarding how to adjust door catch and interlock bracket to properly interlock with the disconnect operating handle.

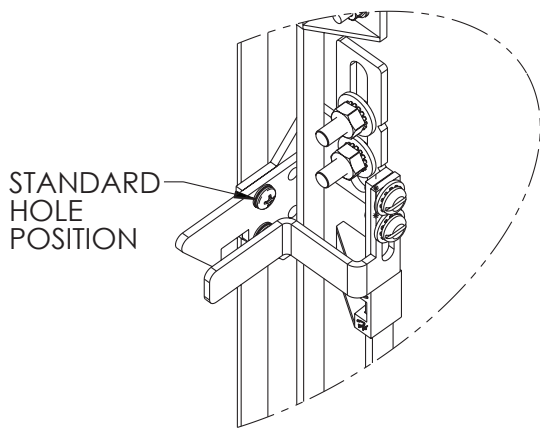


FIGURE 4

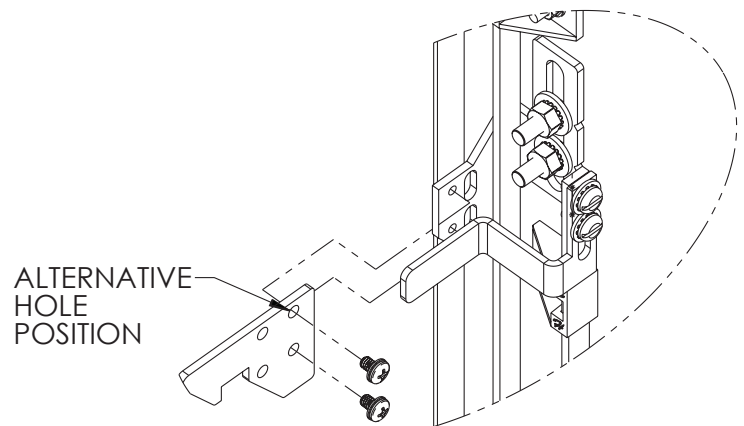


FIGURE 5

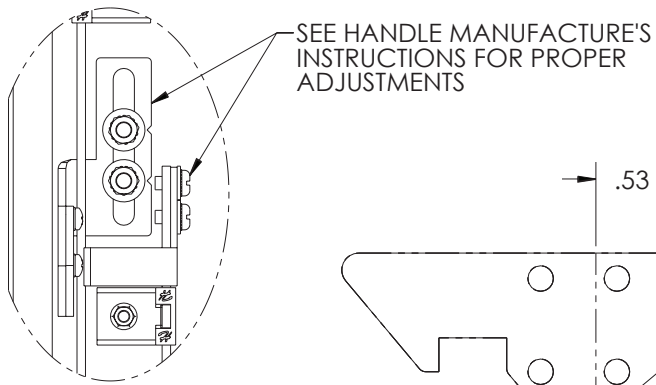
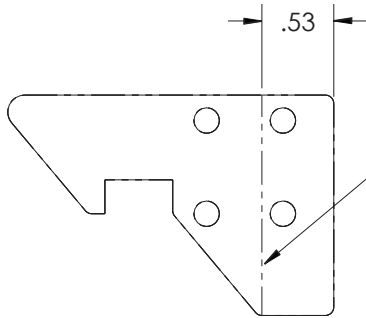


FIGURE 6



CUT OFF IF VERTICAL DOWN ADJUSTMENT IS REQUIRED,  
AND DOOR CATCH IS AT THE STANDARD HOLE POSITION  
ON THE FOLLOWING MODELS:  
CDSC20228SS(6)  
CDSC24228SS(6)  
CDSC24268SS(6)

FIGURE 7

## PADLOCKING HANDLE INSTALLATION (handle provided with enclosure)

### INSTALLATION STEPS

**Step 1** - Remove M6 screw fastening insert to latch assembly.

**Step 2** - Remove latch, insert, o-ring, and wave washer from latch housing. Apply superlube (p/n 99411823) to handle and latch in the locations shown.

**Step 3** - Assemble handle to latch housing as shown in figure 2.

**Step 4** - Re-install M6 screw to handle nose and torque to 38 in-lbs (4.3 Nm).

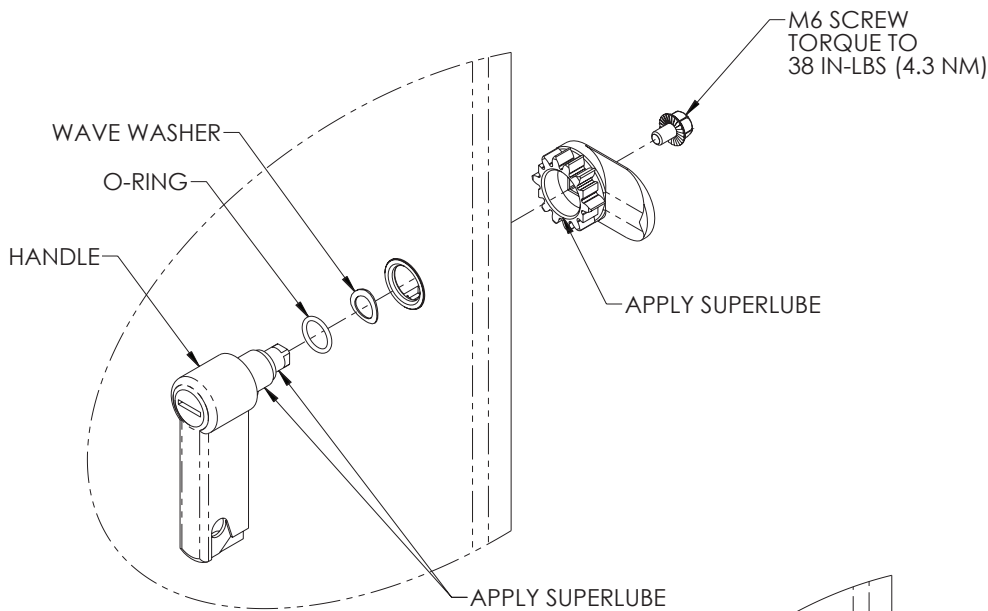


FIGURE 1

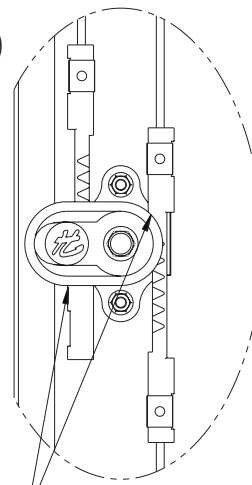


FIGURE 2

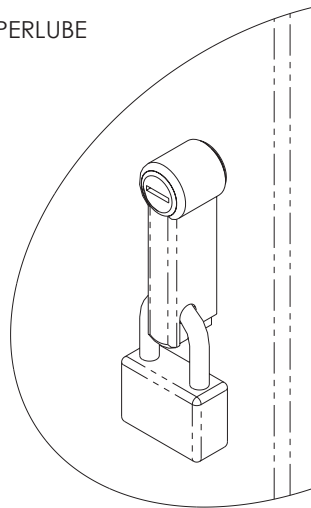


FIGURE 3

### DISCONNECT PADLOCKING HANDLE OPERATION

The disconnect padlocking handle (patent no. 5664448) provided with this enclosure incorporates an integral tool-to-open security feature.

- To gain access to the enclosure, the screwdriver slot must be turned and held 90° counter-clockwise.
- While holding the screwdriver slot, the handle may be turned clockwise, thus opening the enclosure door.
- To close the door, push door to the closed position and turn handle counter-clockwise to latch. The screwdriver slot will automatically reset.
- Installation of a padlock will prevent the screwdriver slot from turning, therefore preventing entry to the enclosure.
- To install padlock, push button upward on bottom of handle to allow the padlock shaft to pass through the handle as shown in figure 3.