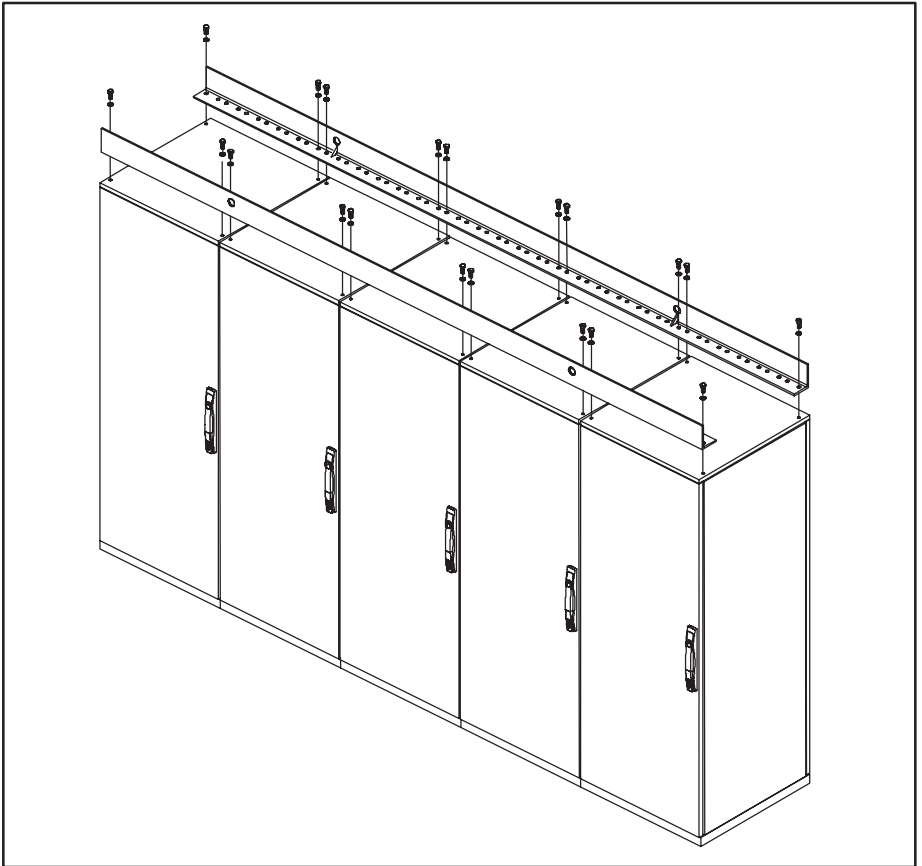



ProLine

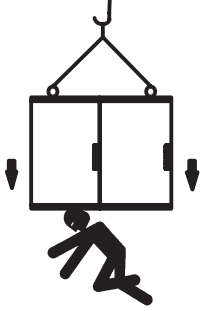
Attachment and usage lifting with cranes and hoists



Recommended Accessories For Lifting Cabinets With Cranes or Hoists.

	Number of Enclosures					
Weight/Enclosure	1	2	3	4	5	6
100	Lift Eyes	Lift Eyes	Lift Eyes Lift Angles	Lift Bars	Lift Bars	Lift Bars
250	Lift Eyes	Lift Eyes Lift Angles	Lift Angles	Lift Bars	Lift Bars	Lift Bars
500	Lift Eyes	Lift Eyes Lift Angles	Lift Bars	Lift Bars	Lift Bars	Lift Bars


 **WARNING**



Loose fastener can cause cabinet(s) to fall and seriously injure.

Torque fasteners to 30 in-lbs.

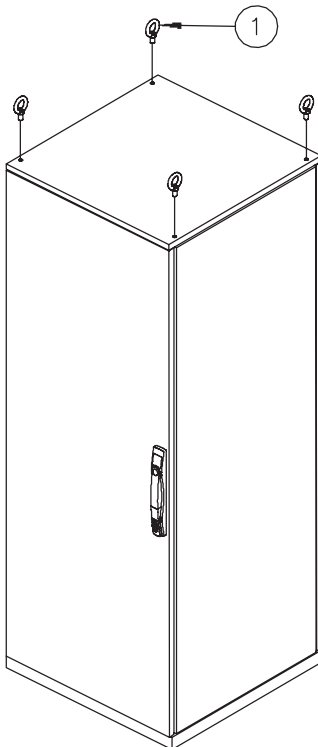
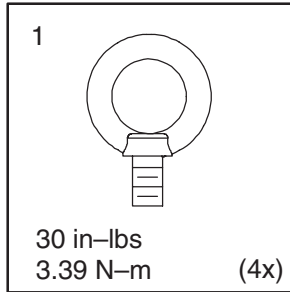
Use bolts and lock washers in kit to attach correct fastener at each bolt location marked on cabinet top cover.

 **CAUTION**

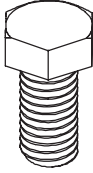
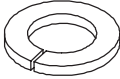
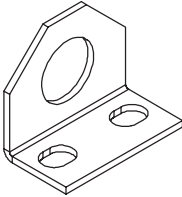
Insecurely joined cabinets can come apart during lifting and fall causing injury and product damage

Ensure joining kits are properly installed between each enclosure to avoid product damage. Hoffman catalog number PJ2FHF2 for side-to-side and PJ2FBF for front-to-back enclosure joining.

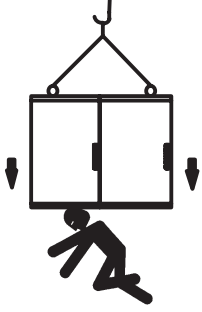
Lifting Eye



Lift Angle For Lifting Side-To-Side Mounted Cabinets (Catalog Number PJLBSS)

<p style="text-align: center;">1 M12x25mm</p>  <p style="text-align: center;">30 in-lbs 3.39 N-m (4x)</p>	<p style="text-align: center;">2 M12</p>  <p style="text-align: center;">(4x)</p>	<p style="text-align: center;">3</p>  <p style="text-align: center;">(2x)</p>
--	---	--

⚠ **WARNING**



Loose fastener can cause cabinet(s) to fall and seriously injure.

Torque fasteners to 30 in-lbs.

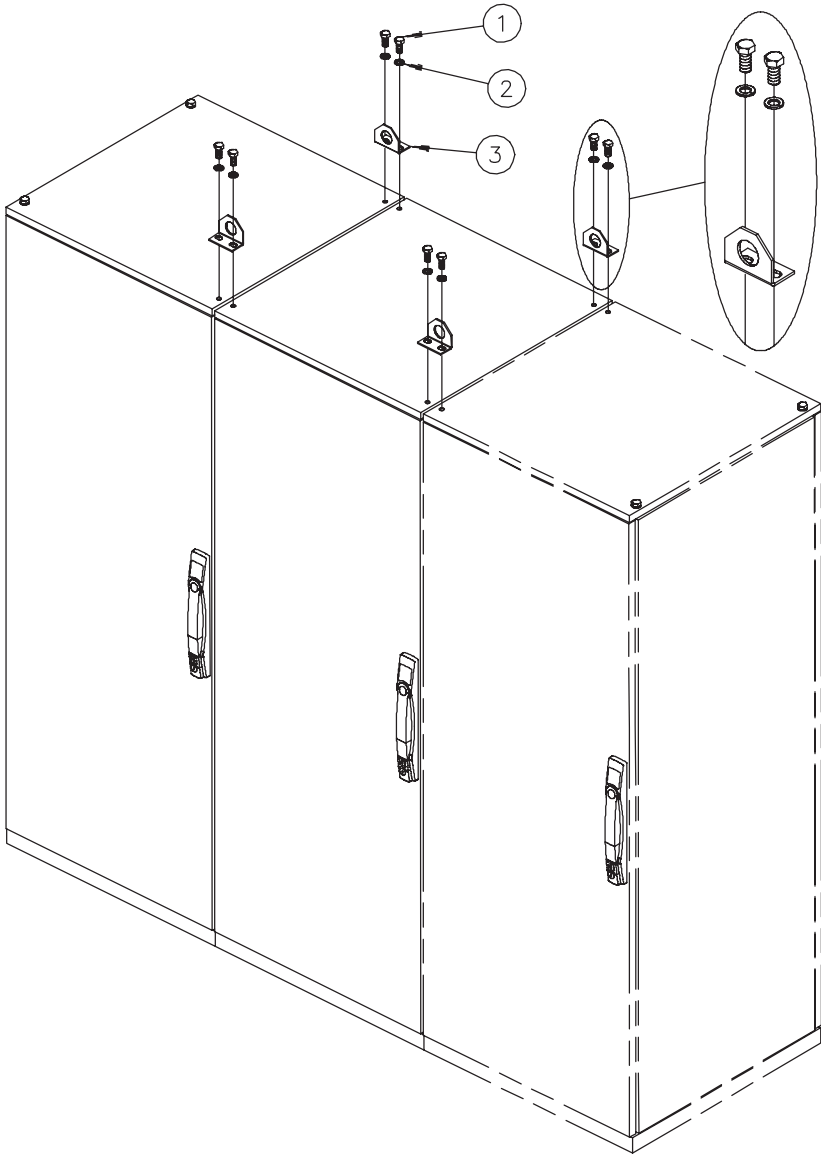
Use bolts and lock washers in kit to attach correct fastener at each bolt location marked on cabinet top cover.

⚠ **CAUTION**

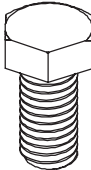

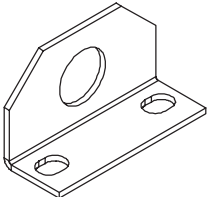
Insecurely joined cabinets can come apart during lifting and fall causing injury and product damage

Ensure joining kits are properly installed between each enclosure to avoid product damage. Hoffman catalog number PJ2FHF2 for side-to-side and PJ2FBF for front-to-back enclosure joining.

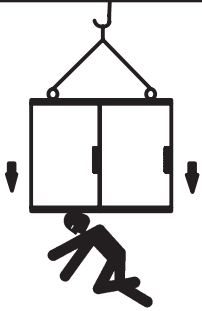
Lift Angle For Lifting Side-To-Side Mounted Cabinets (Catalog Number PJLBSS)



Lift Angle For Lifting Front-To-Back Mounted Cabinets (Catalog Number PJLBFB)

<p>1 M12x25mm</p>  <p>30 in-lbs 3.39 N-m (4x)</p>	<p>2 M12</p>  <p>(4x)</p>	<p>3</p>  <p>(2x)</p>
--	---	--

⚠ **WARNING**



Loose fastener can cause cabinet(s) to fall and seriously injure.

Torque fasteners to 30 in-lbs.

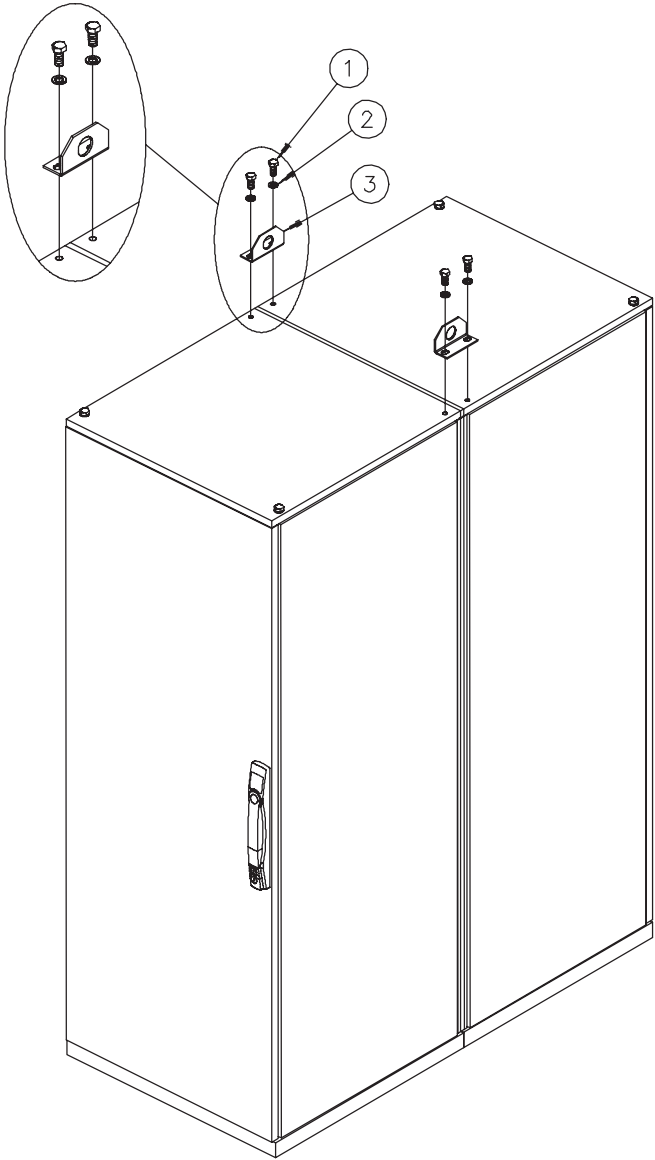
Use bolts and lock washers in kit to attach correct fastener at each bolt location marked on cabinet top cover.

⚠ **CAUTION**

Insecurely joined cabinets can come apart during lifting and fall causing injury and product damage

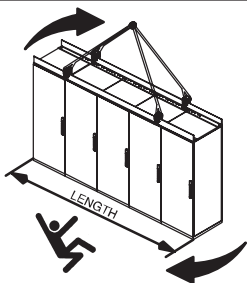
Ensure joining kits are properly installed between each enclosure to avoid product damage. Hoffman catalog number PJ2FHF2 for side-to-side and PJ2FBF for front-to-back enclosure joining.

Lift Angle For Lifting Front-To-Back Mounted Cabinets (Catalog Number PJLBFB)



Lifting Bar

WARNING



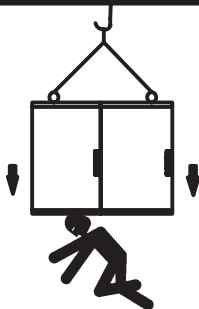
Twisting or tipping cabinet set can cause injury and damage. Minimize tipping by using recommended Lifting Bars that provide lifting points equidistance from ends of enclosure set.

WARNING



Falling Lift Bars can cause serious injury. When not in use, lay Lift Bars flat.

WARNING



Loose fastener can cause cabinet(s) to fall and seriously injure.

Torque fasteners to 30 in-lbs.

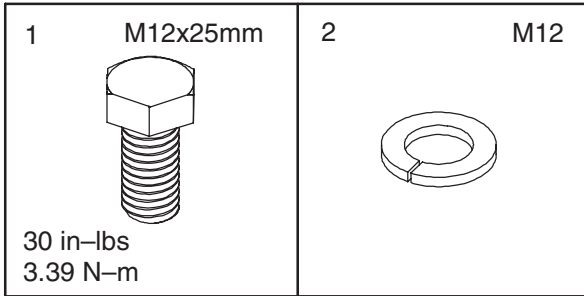
Use bolts and lock washers in kit to attach correct fastener at each bolt location marked on cabinet top cover.

CAUTION

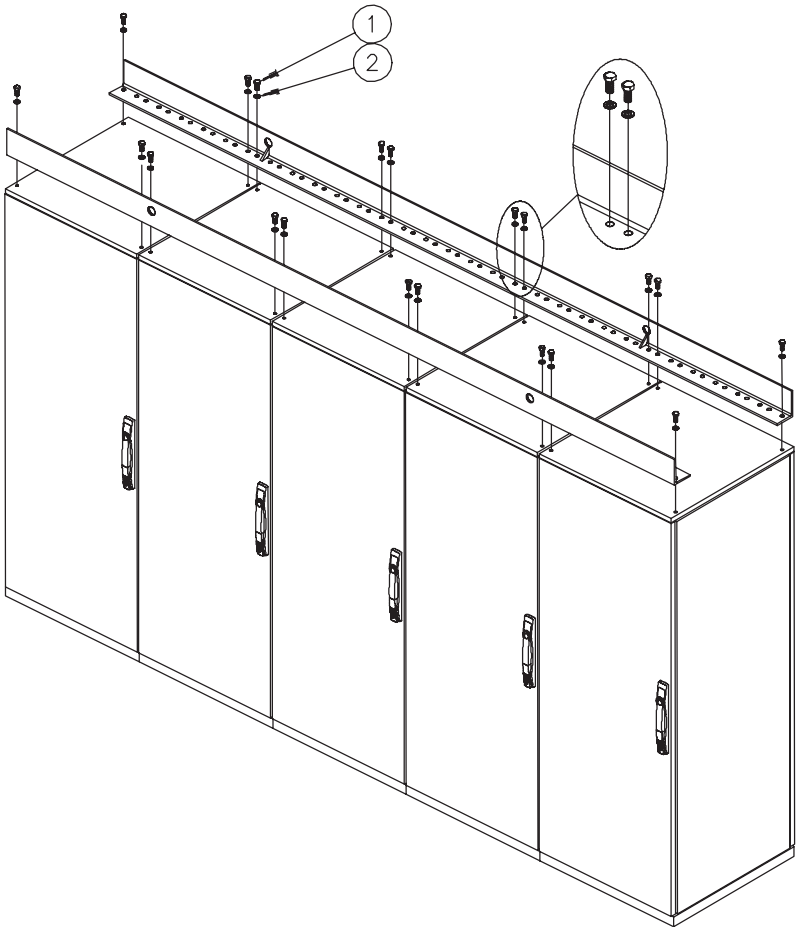
Insecurely joined cabinets can come apart during lifting and fall causing injury and product damage

Ensure joining kits are properly installed between each enclosure to avoid product damage. Hoffman catalog number PJ2FHF2 for side-to-side and PJ2FBF for front-to-back enclosure joining.

Lifting Bar



NOTE: Do not exceed maximum capacity of 500 pounds per enclosure of equipment and cabling.





HOFFMAN