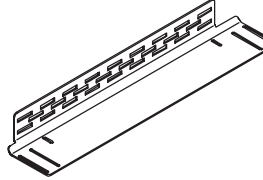
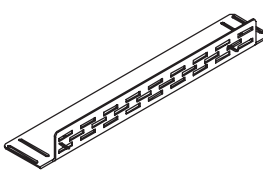



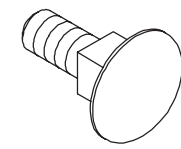
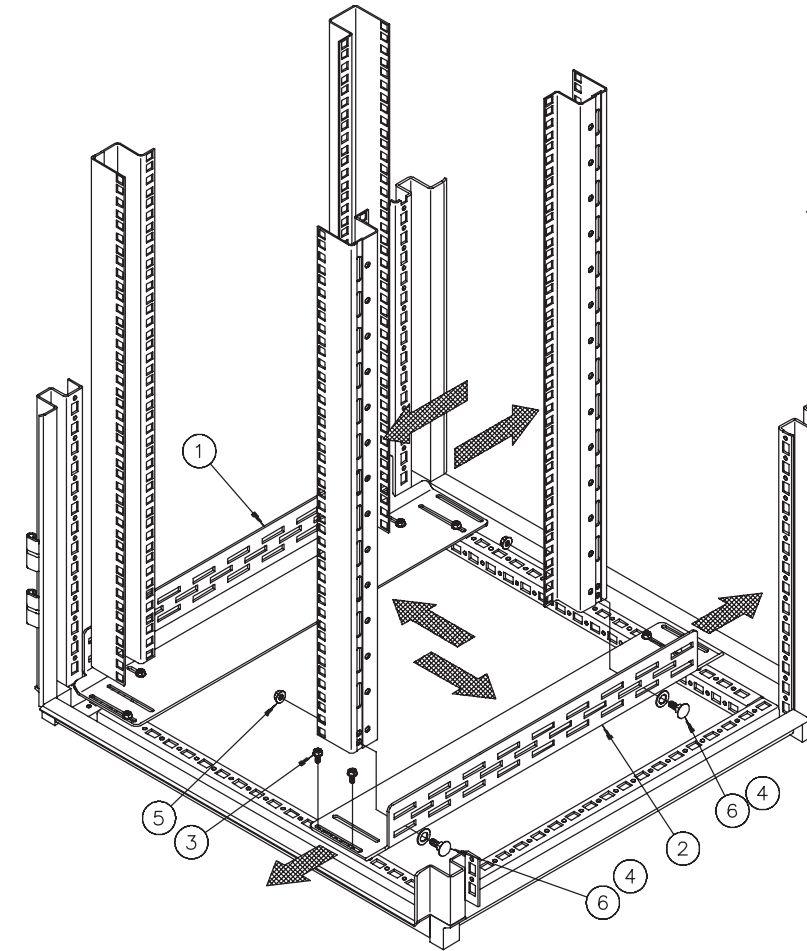


PROLINE®
 Adjustable Rack Angle Brackets

 1 (2X)	 2 (2X)	 3 M5x10 (16X)
 4 (8X)	 5 M6 (8X)	 6 M6x16 (8X)



NOTE: If the rack angle holes do not align with the adjustable bracket slots, the rack angle must be modified per the modification detail.

Rack Angle Modification Detail (if required)

1. Center rack angle vertically in frame. Partially trace the brackets top row slot and the middle row slot directly below it onto an unobstructed part of the rack angle.
2. Remove rack angle and drill .25 (6mm) inch diameter holes at marked locations on each rack angle. Verify the holes are vertically aligned.
3. Follow the same procedure for other end of rack angle and all other rack angles.

