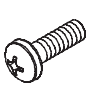
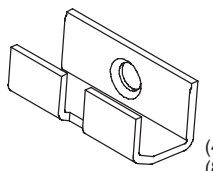
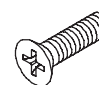

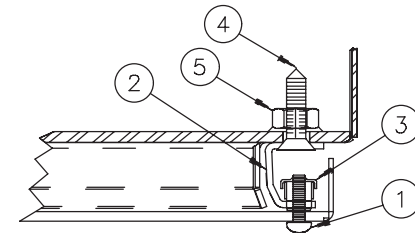


PROLINE®

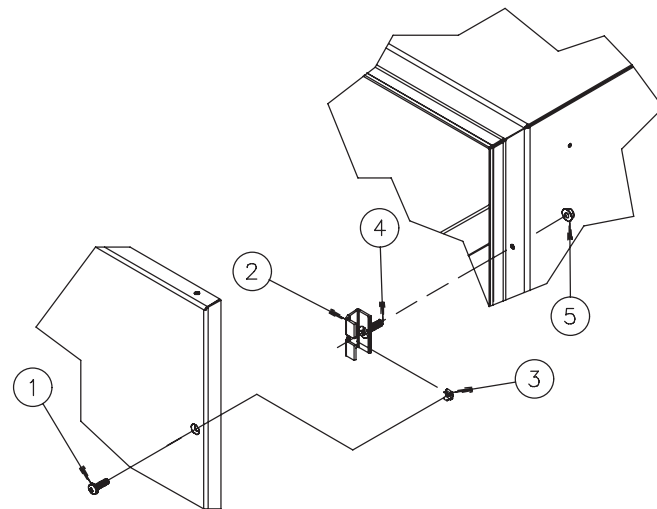
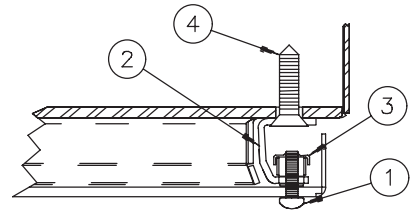
OI / CWSD Cover
 OI / CWSD haube
 OI / CWSD Capot
 OI / CWSD Tapa

1	M6-1x12	2	M6-1	4	M6-1x12	5	M6-1
							
(4x) (8x)		(4x) (8x)	(4x) (8x)	(4x) (8x)		(4x) (8x)	
Stainless Steel Only Nur Rostfreier Stahl Acier inoxydable Seulement Acero Inoxidable Solamente							

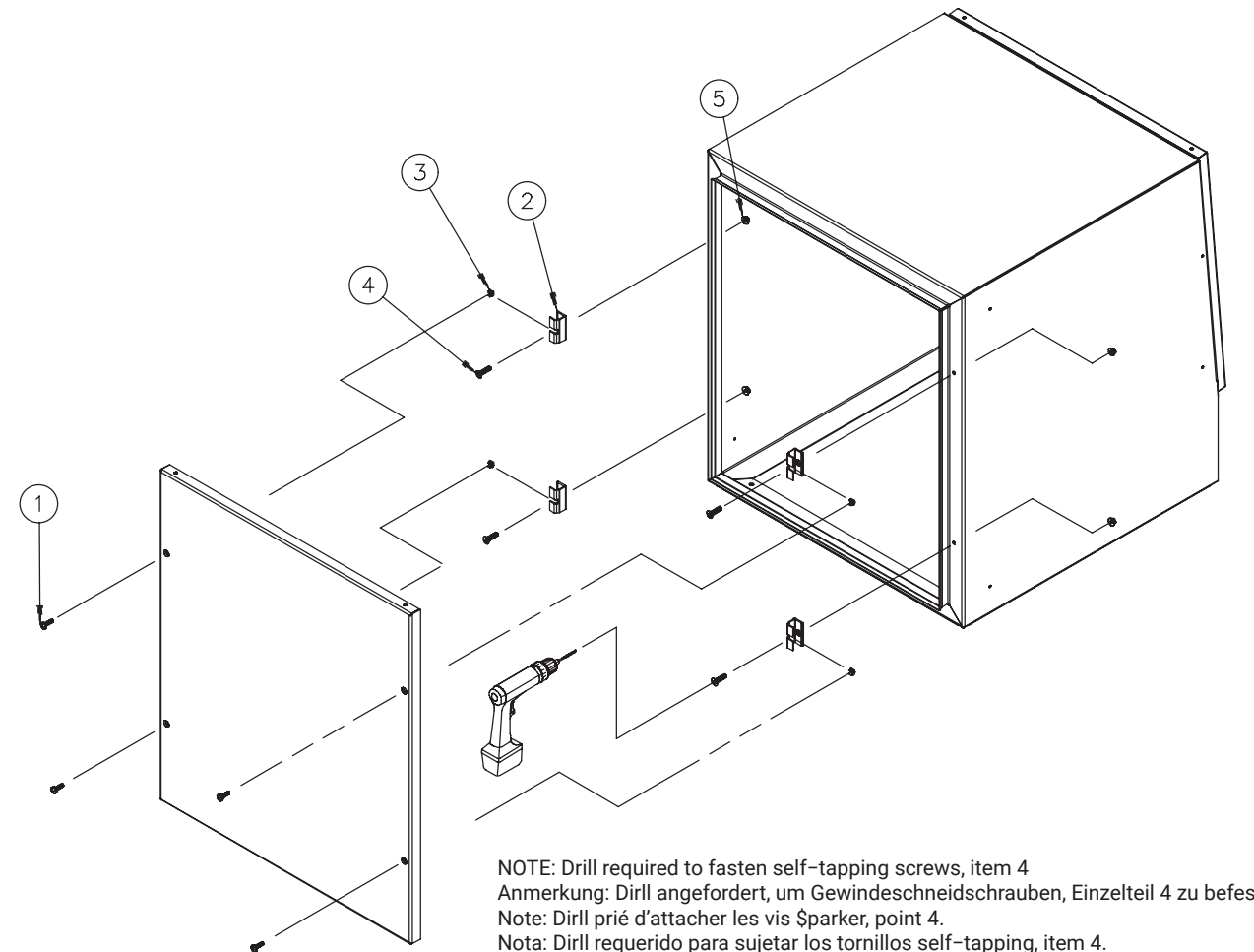
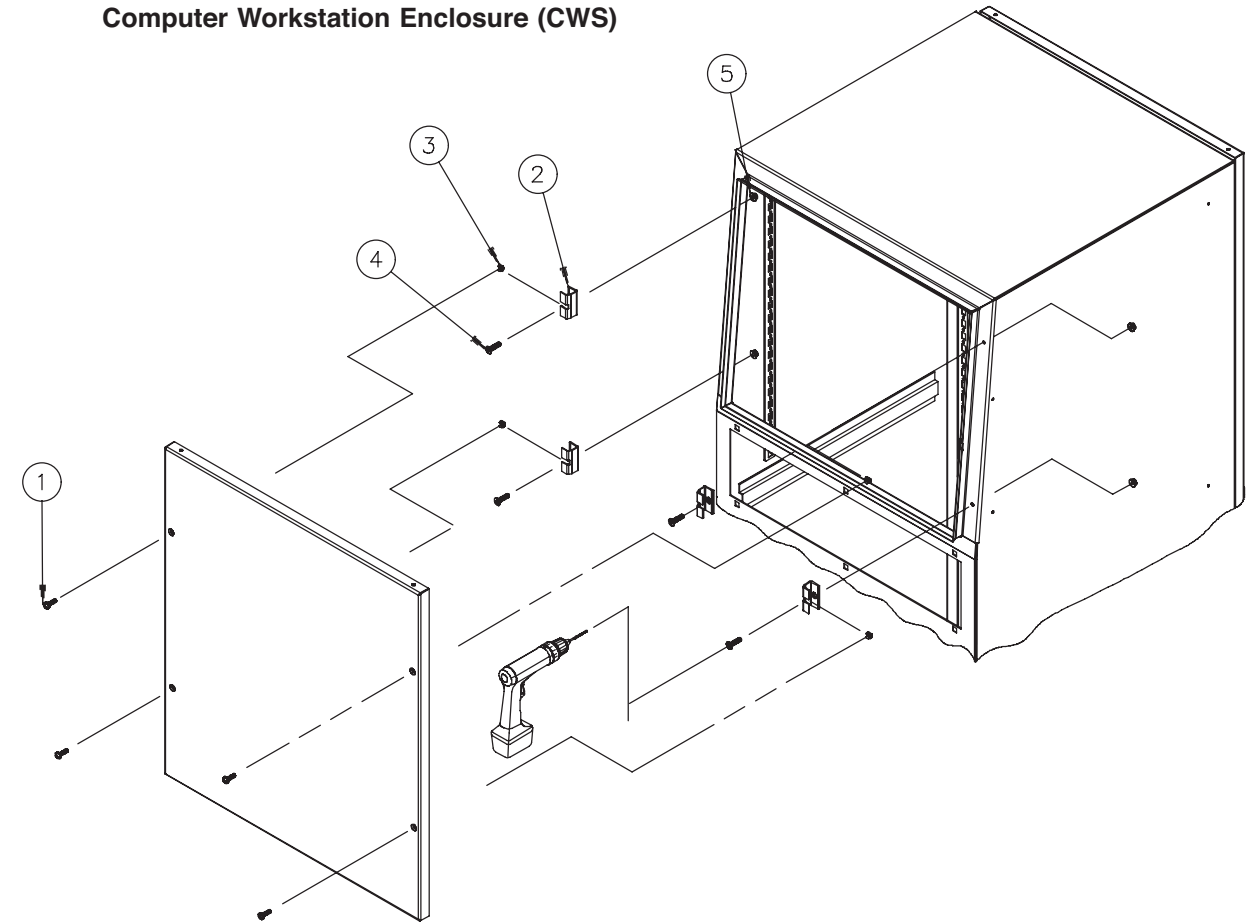
Stainless Steel
 Edelstahl
 Acier Inoxydable
 Acero Inoxidable



Mild Steel
 Rostfreier Stahl
 Acier Peint
 Acero Swave



Computer Workstation Enclosure (CWS)



NOTE: Drill required to fasten self-tapping screws, item 4
 Anmerkung: Drill angefordert, um Gewindeschneidschrauben, Einzelteil 4 zu befestigen.
 Note: Drill prié d'attacher les vis Sparker, point 4.
 Nota: Drill requerido para sujetar los tornillos self-tapping, item 4.