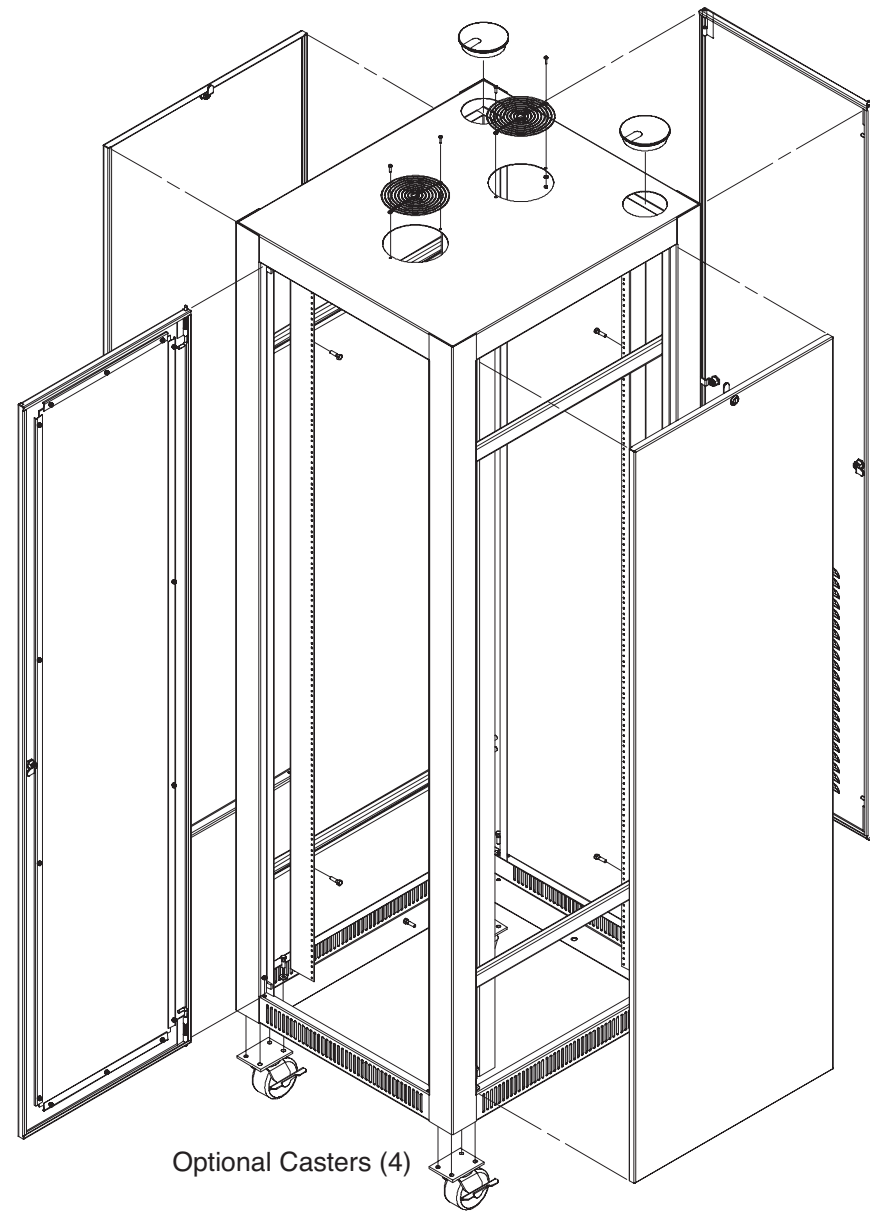


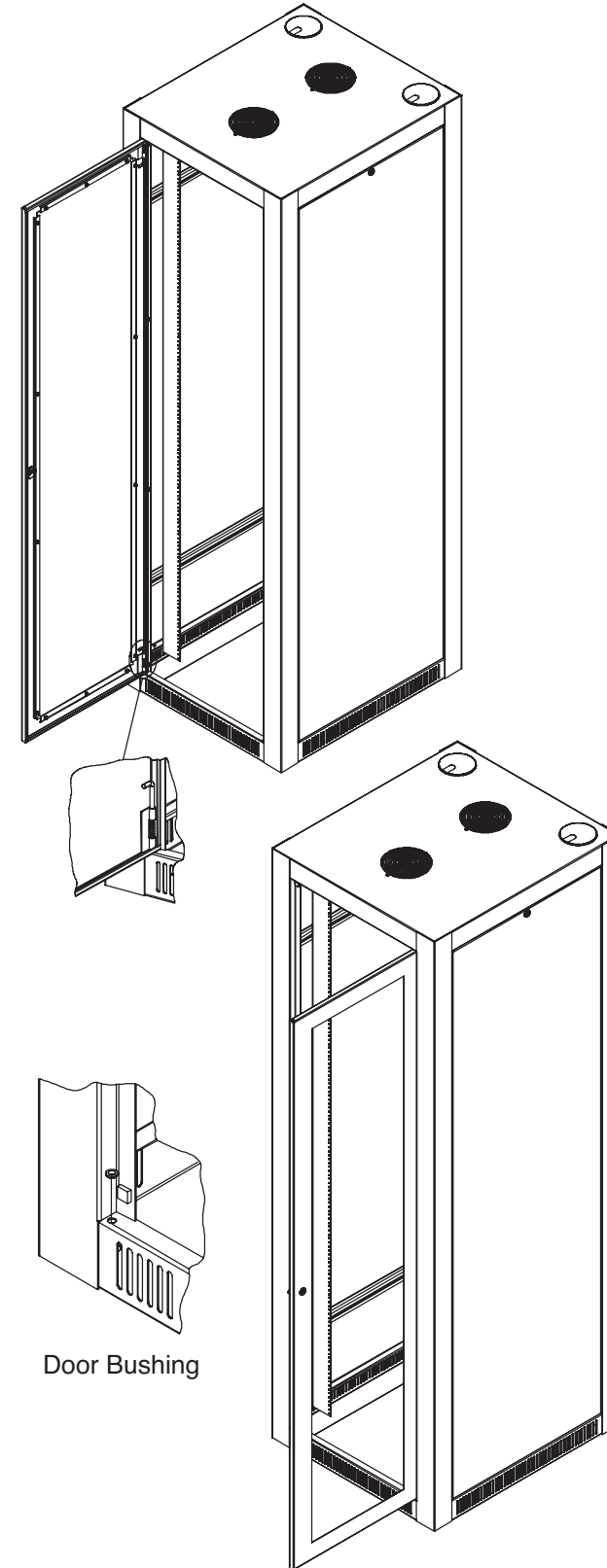
Networking Cabinet

*Additional accessories available; see complete list in the DataCom Networking Cabinets and Racks Catalog.*



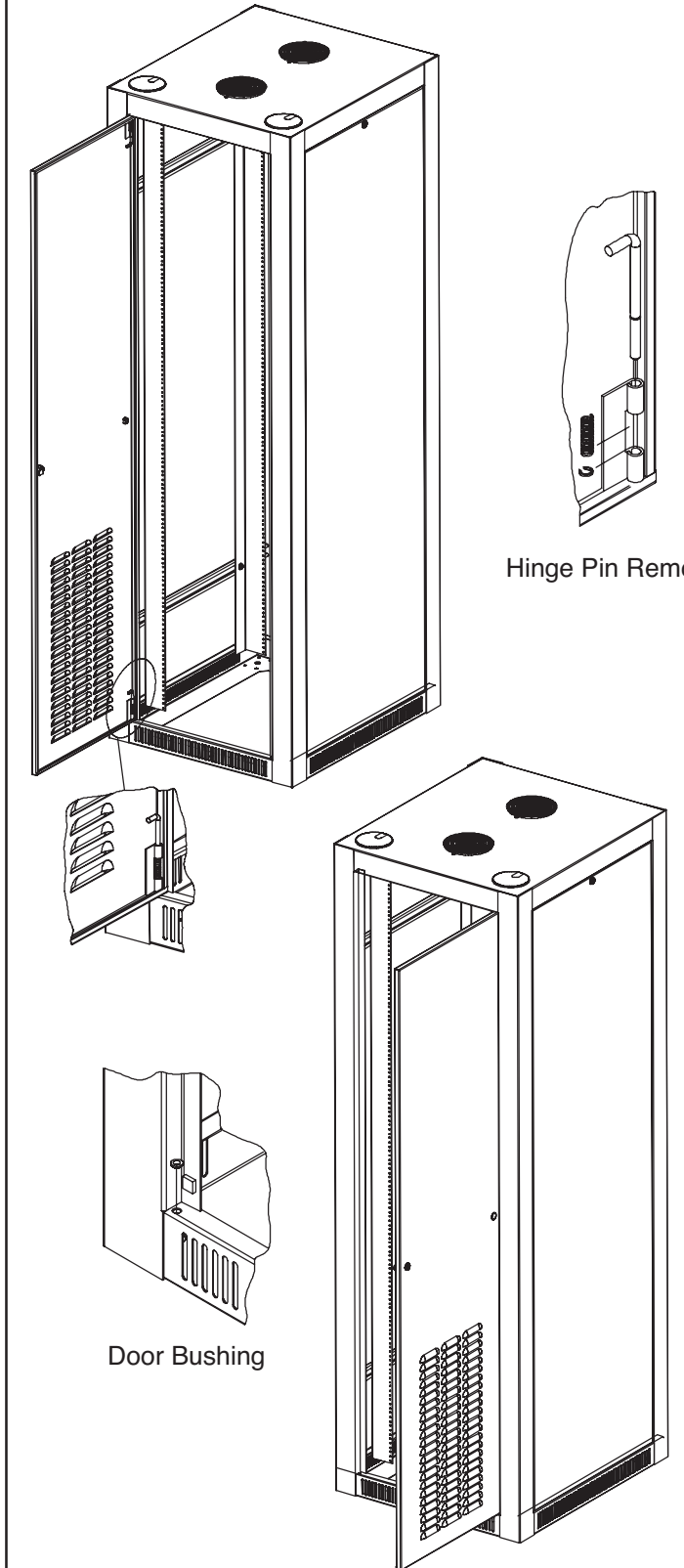
Optional Casters (4)

1. Release door hinge by pulling top hinge pin.
2. Move the two door bushings to the opposite corner holes of the frame.
3. Rotate the door vertically 180 degrees.
4. Reinstall the door by pulling the hinge pins and releasing them into the opposite hinge holes.



Door Bushing

1. Release door hinge by pulling top hinge pins.
2. Move the two door bushings to the opposite corner holes of the frame.
3. Remove hinge pins as shown and move to the opposite door hinges.
4. Reinstall the door by pulling the hinge pins and releasing them into the opposite hinge holes.



Hinge Pin Removal

Door Bushing