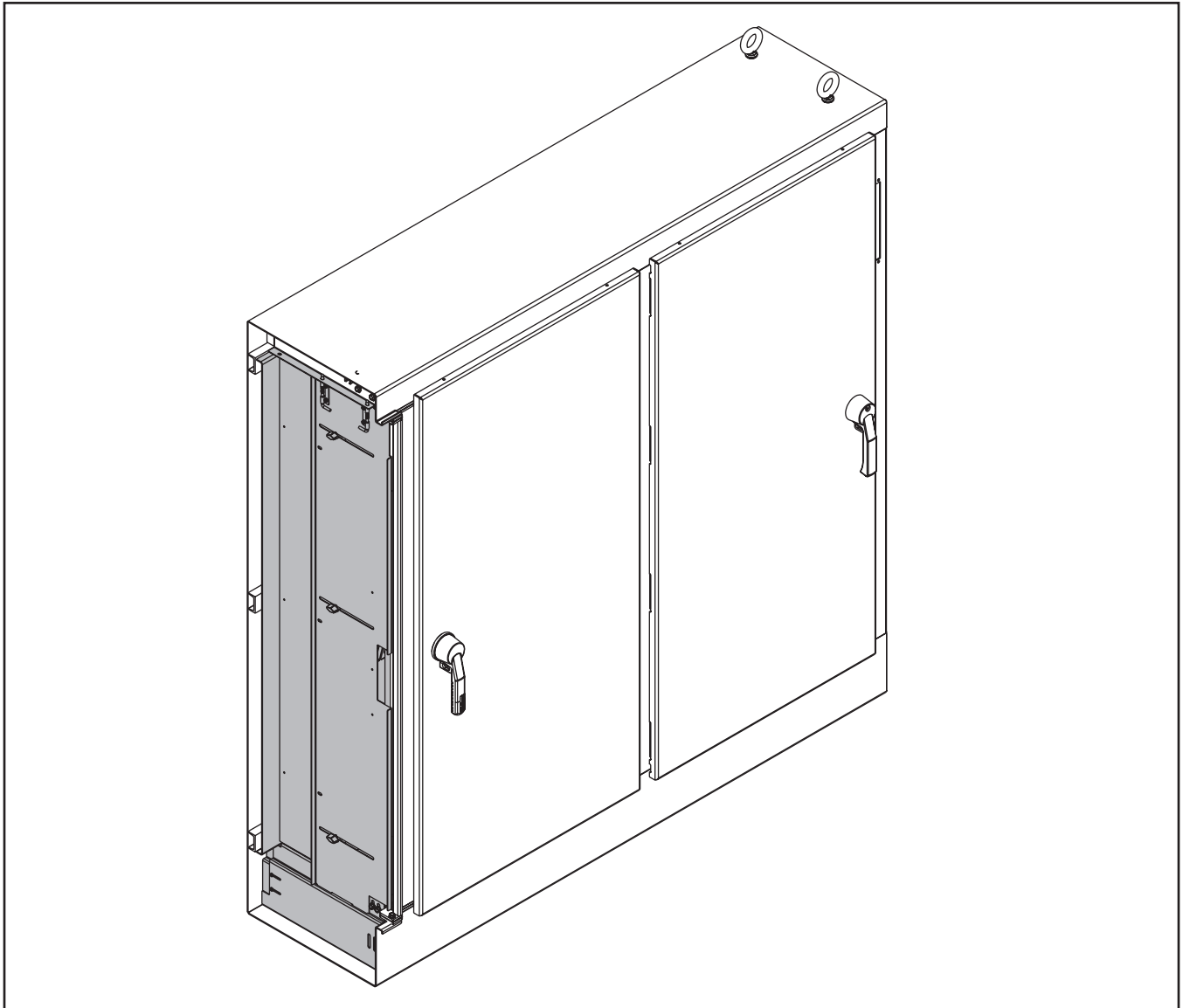
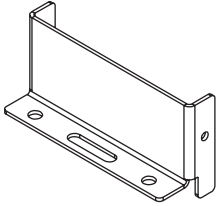
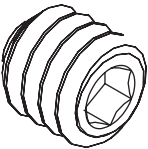
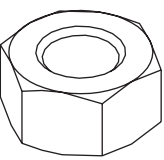
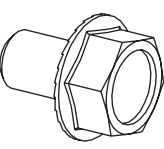
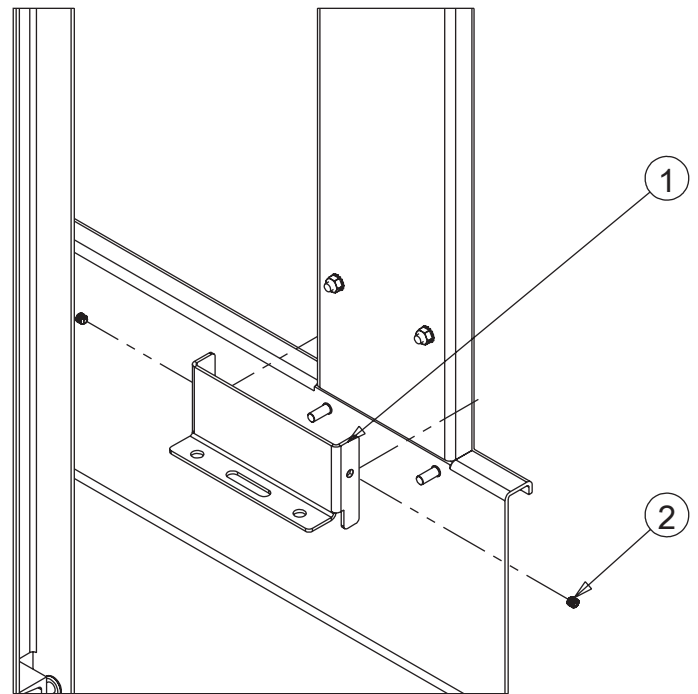
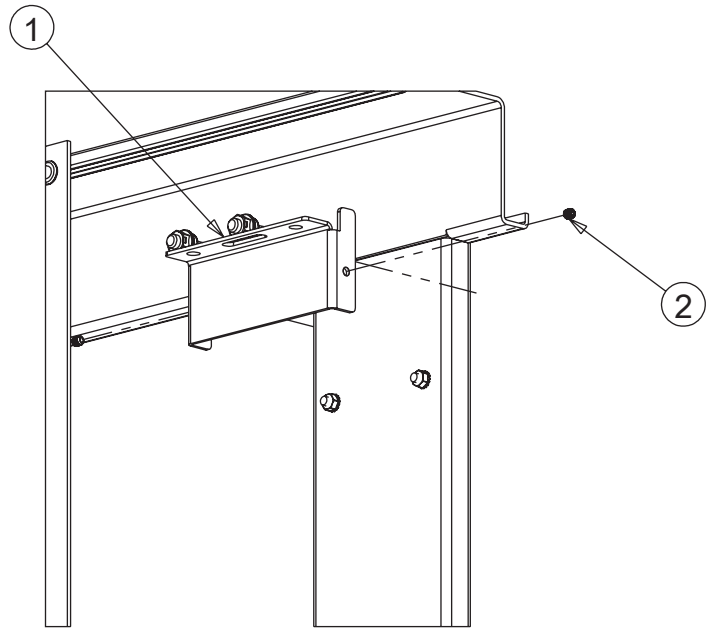


Barrier Panel

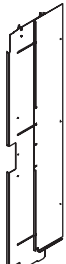
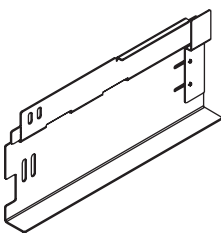
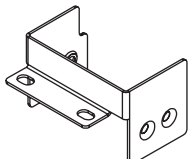
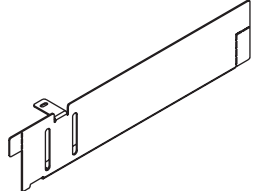
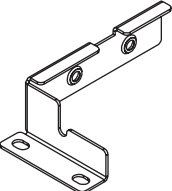
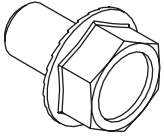
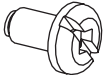
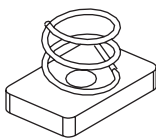


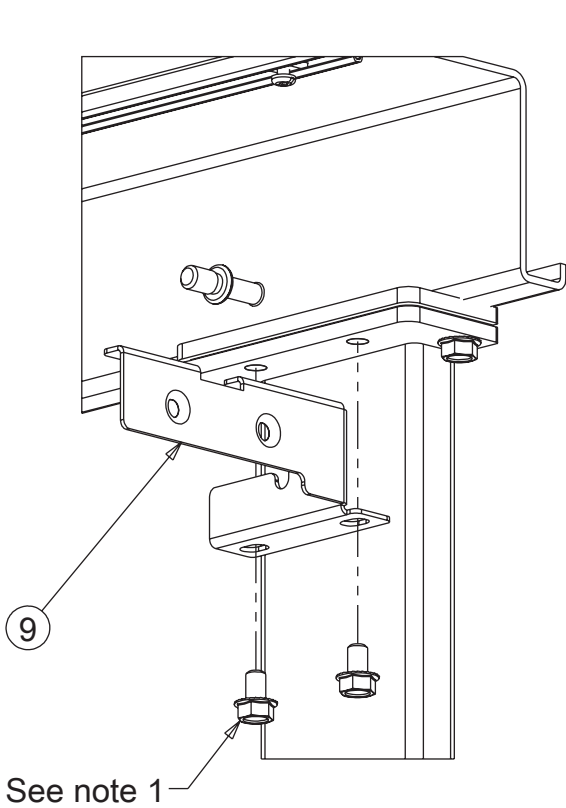
Welded Centerpost Enclosures

 <p>(2x)</p>	2 1/4-20 X 1/4  <p>(4x)</p>
3  <p>(4x)</p>	4 5/16-24 X 1/2  <p>(4x)</p>

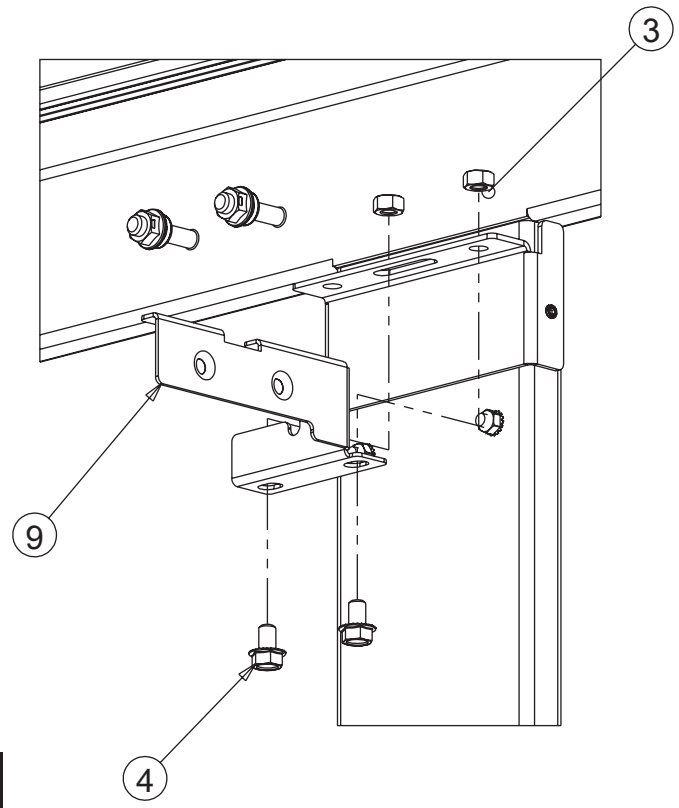


All Enclosures

<p>5</p>  <p>(1x)</p>	<p>6</p>  <p>(1x)</p>	<p>7</p>  <p>(1x)</p>	<p>8</p>  <p>(1x)</p>
<p>9</p>  <p>(1x)</p>	<p>10</p> <p>5/16-24 X 1/2</p>  <p>(4x)</p>	<p>11</p> <p>10/32 X .250</p>  <p>(1x)</p>	<p>12</p>  <p>(1x)</p>



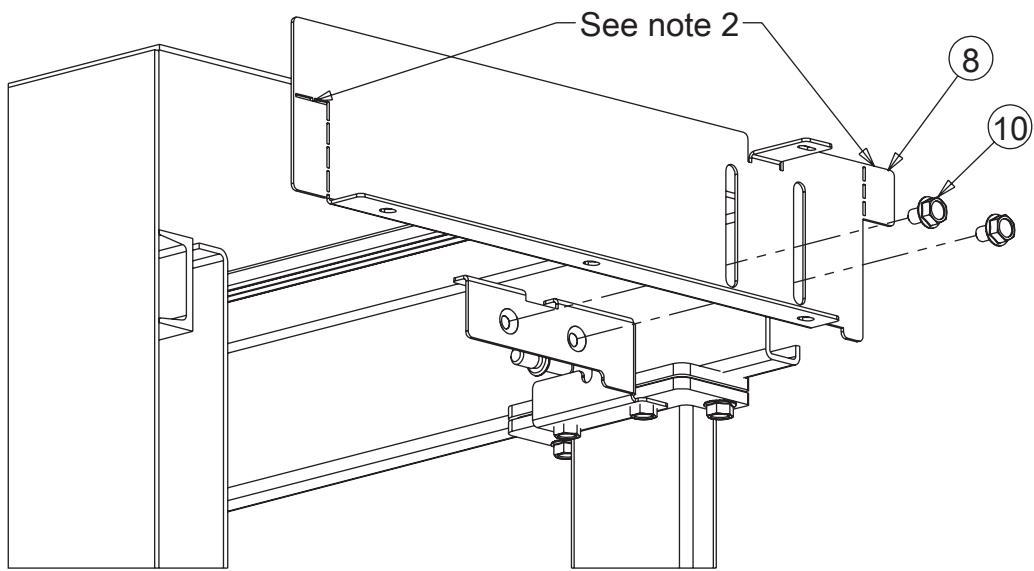
Removable Centerpost



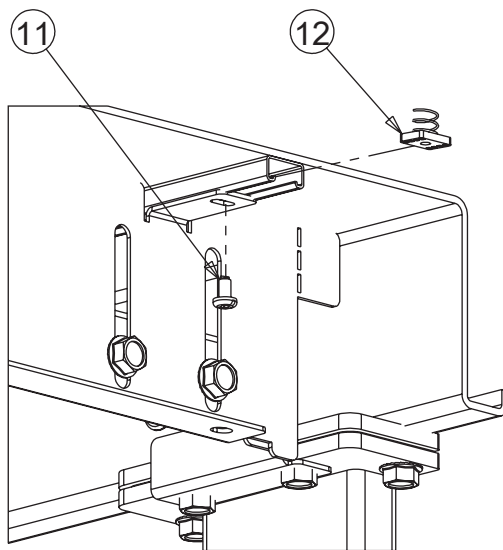
Welded Centerpost

Notes:

1. Use the screws currently assemble on the centerpost for the installation.



2

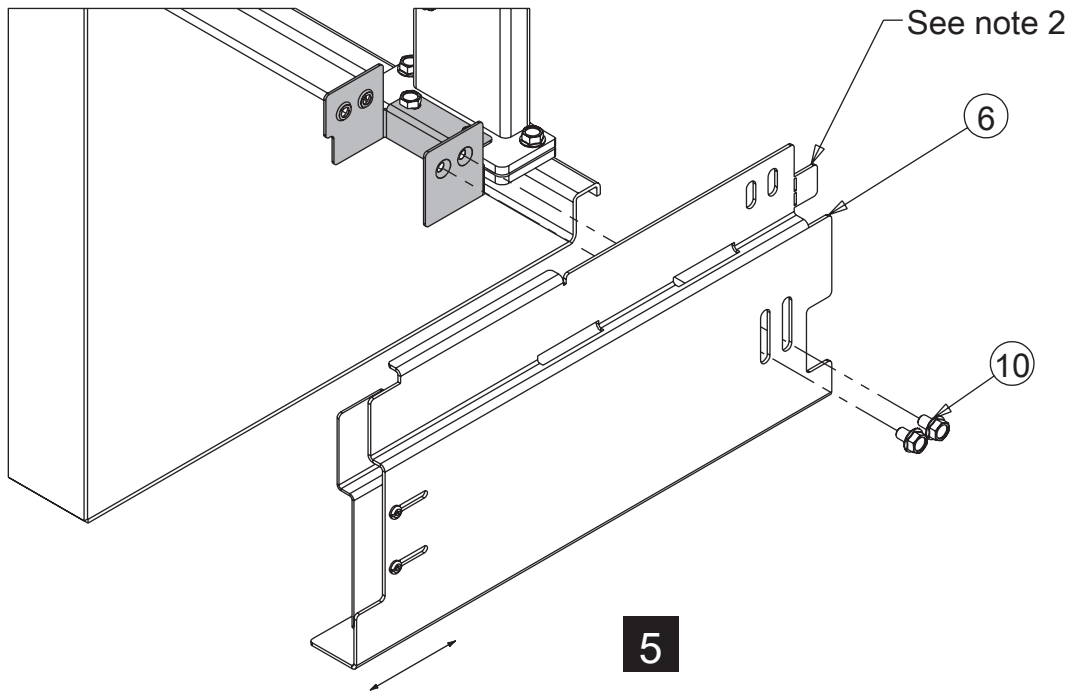
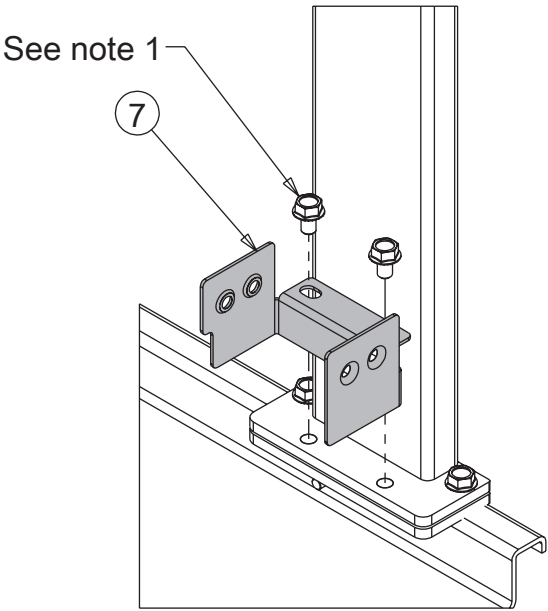


3

Notes:

2. Remove precuts if necessary to avoid interference.

Floor-Mount Enclosures (Removable Centerpost)

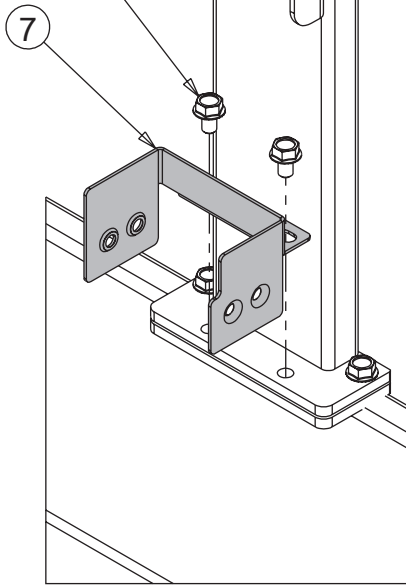


Notes:

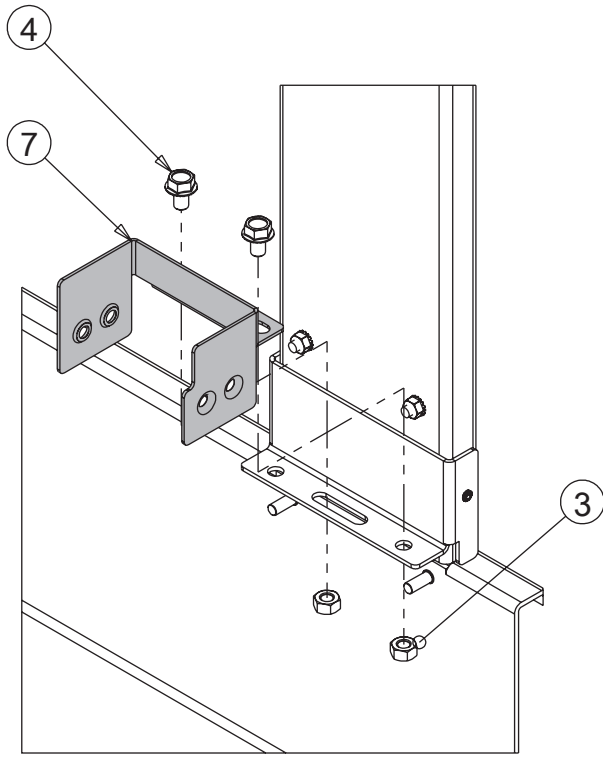
- 1. Use the screws currently assemble on the centerpost for the installation.
- 2. Remove precuts if necessary to avoid interference.

Free-Stand Enclosures

See note 1

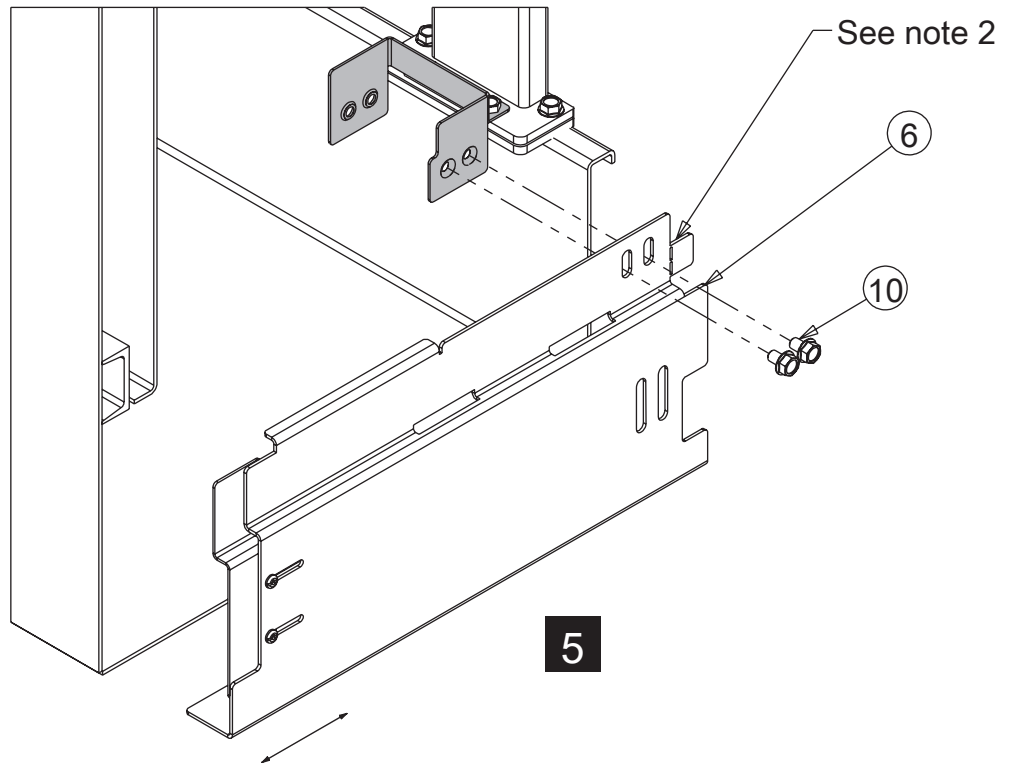


Removable Centerpost



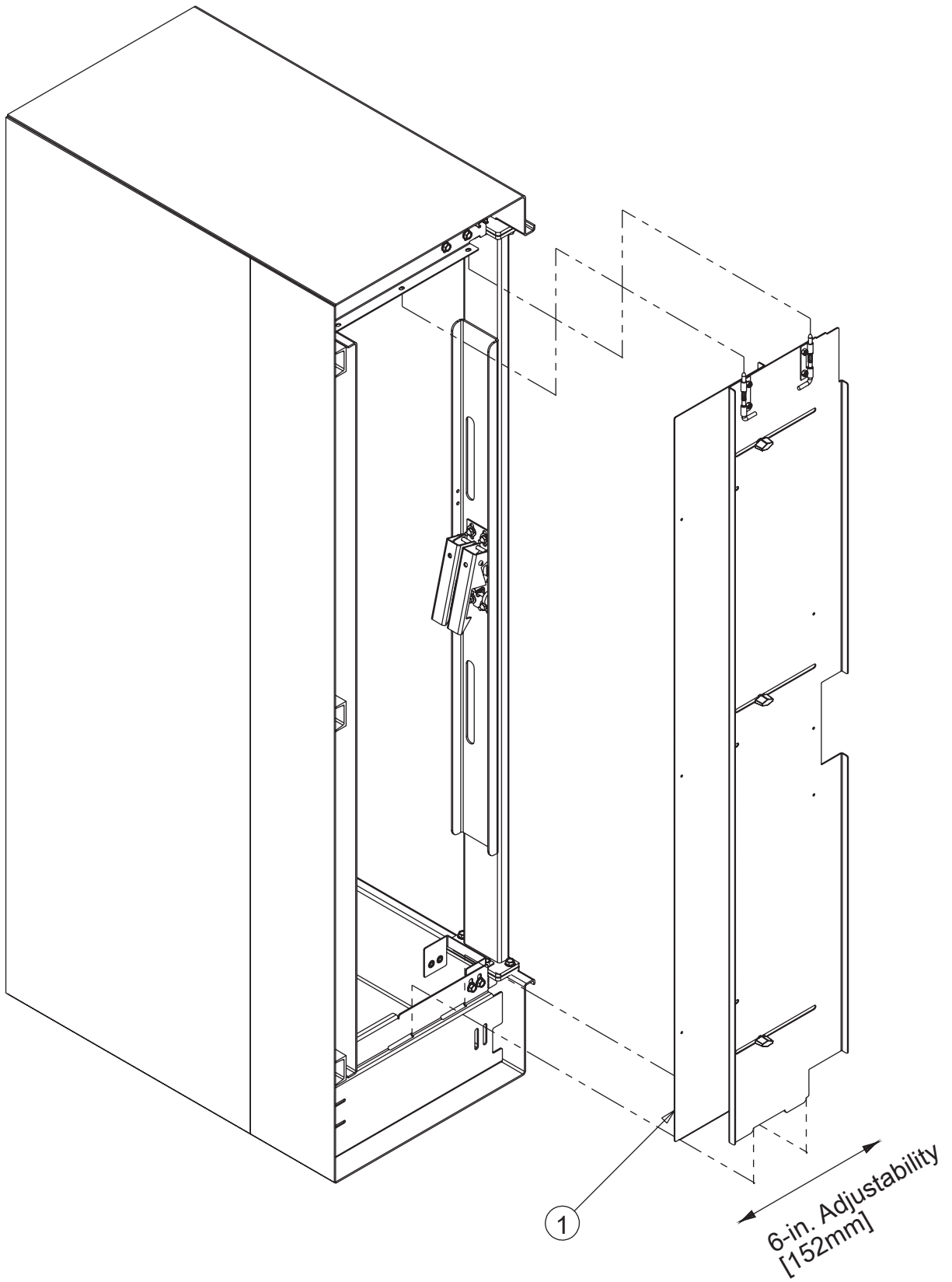
Welded Centerpost

4

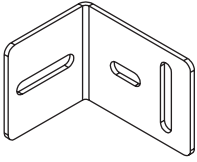
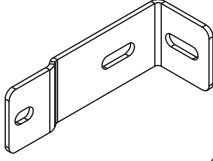
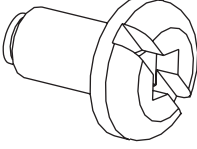
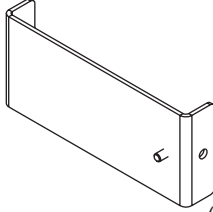
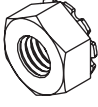
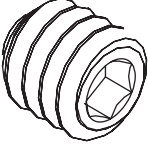


Notes:

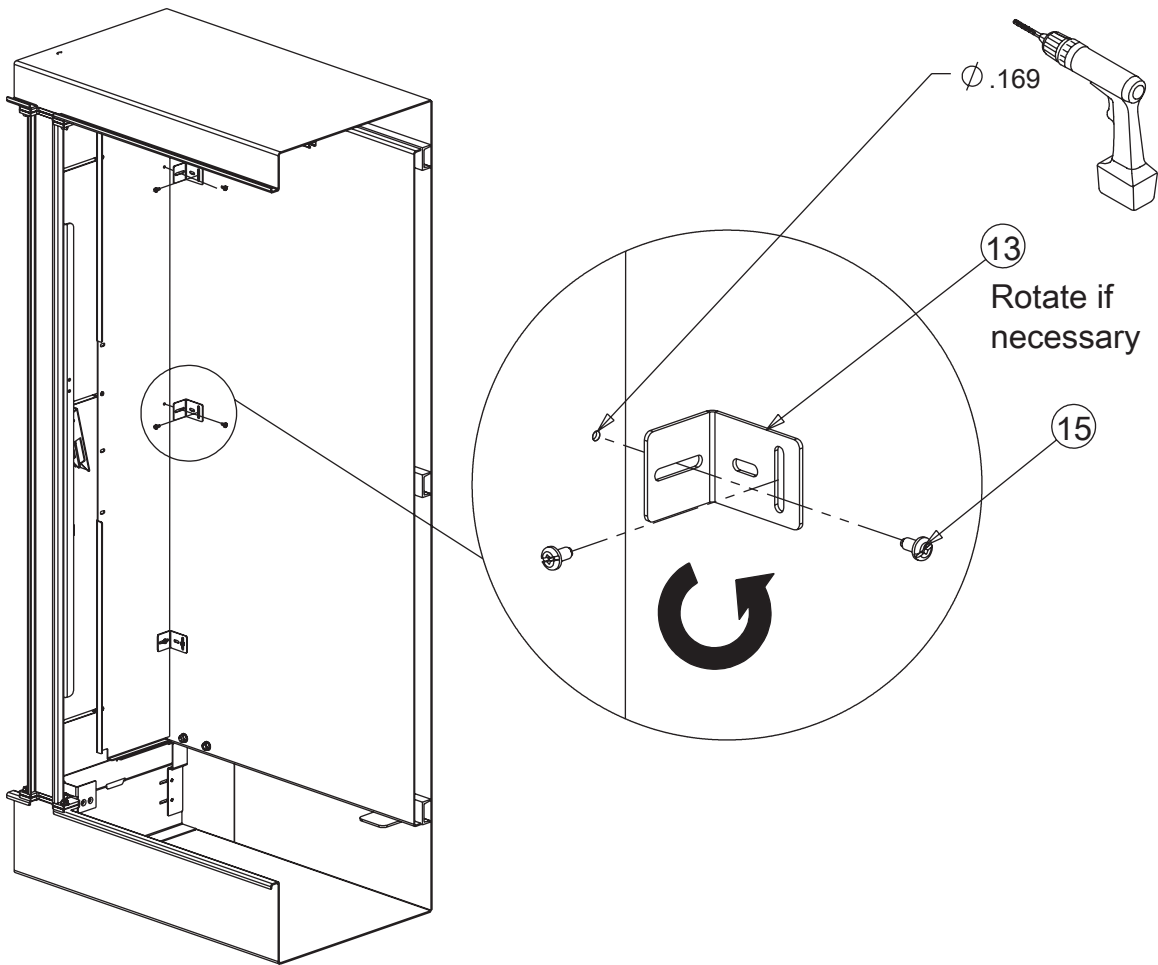
1. Use the screws currently assemble on the centerpost for the installation.
2. Remove precuts if necessary to avoid interference.



7

<p>13</p>  <p>(3x)</p>	<p>14</p>  <p>(2x)</p>	<p>15</p> <p>10-32 X .250</p>  <p>(8x)</p>
<p>16</p>  <p>(1x)</p>	<p>17</p> <p>1/4-20</p>  <p>(1x)</p>	<p>18</p> <p>1/4-20 X 1/4</p>  <p>(2x)</p>

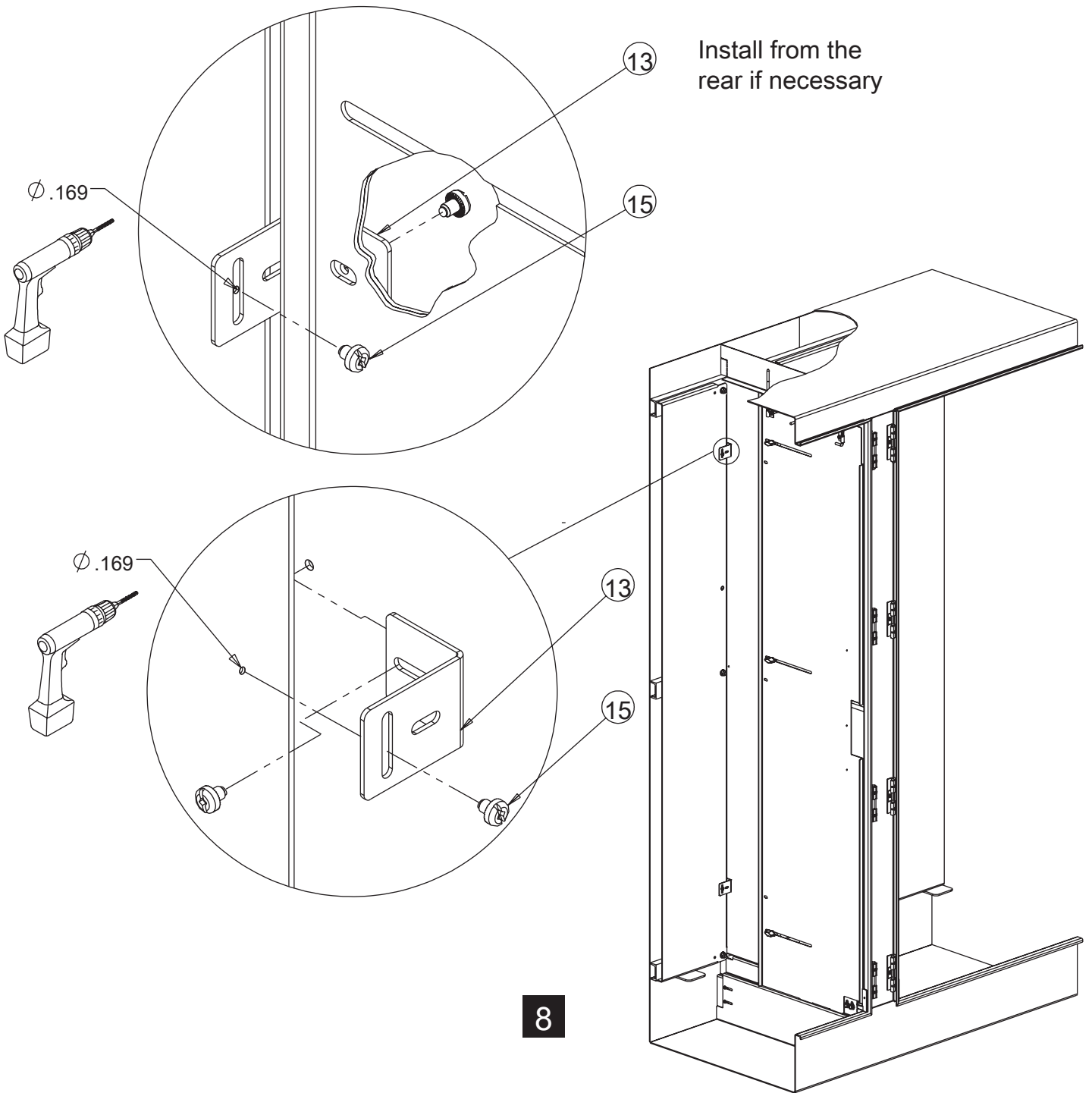
Full Back Panel



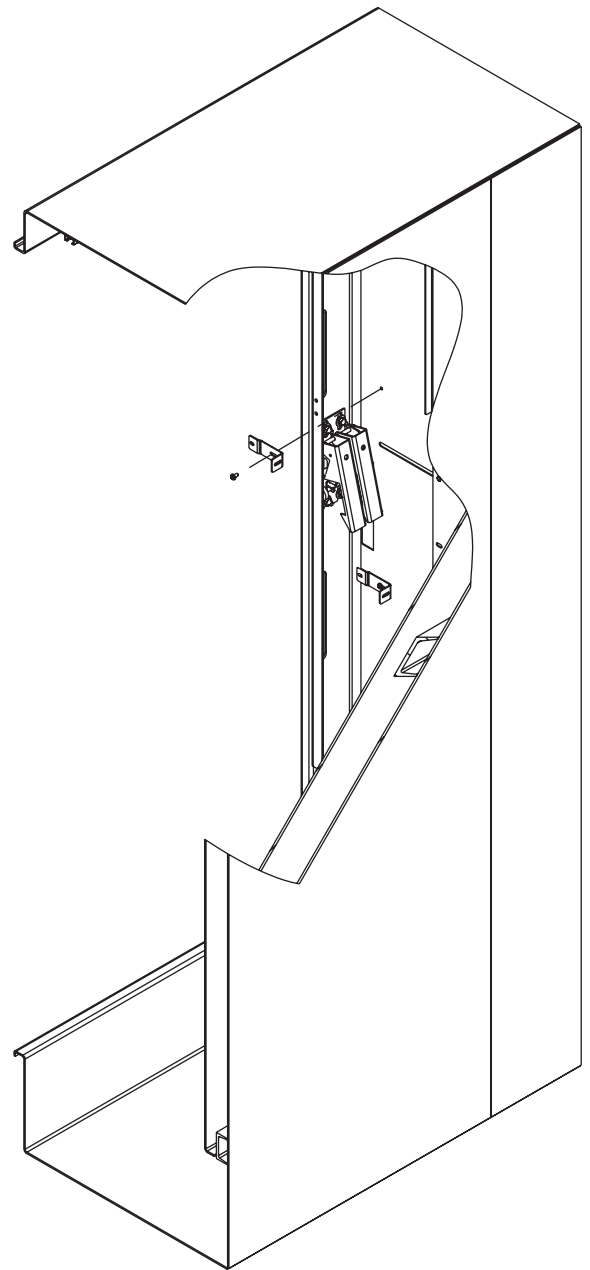
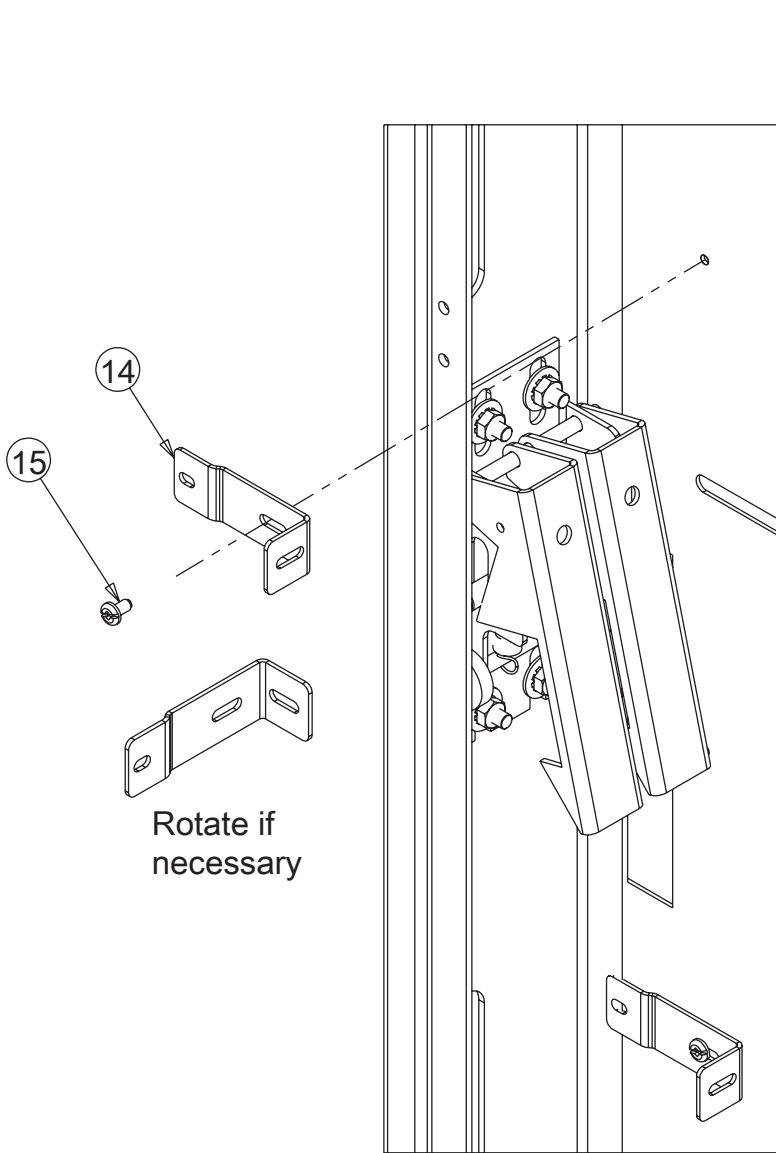
7

Divided Back Panel

Install from the rear if necessary



Removable Centerpost Enclosures



8

Welded Centerpost Enclosures

