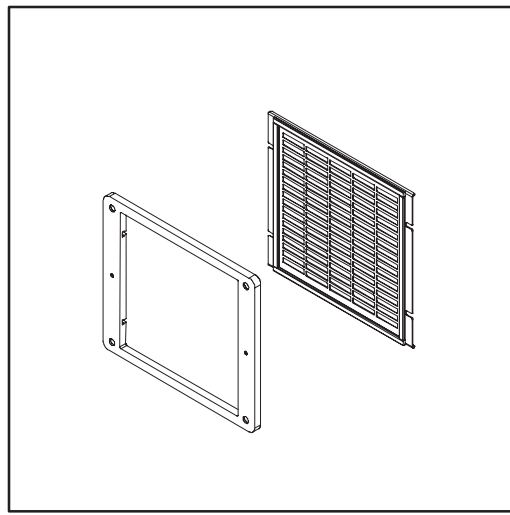


EMC Upgrade For Cooling Fan & Exhaust Grille



INTRODUCTION

1. Before installing the EMC upgrade package, read these instructions carefully. Failure to follow these instructions could damage the product and/or cause a hazardous condition.

⚠ WARNING

To avoid electric shock and equipment damage, disconnect any power supplies to the enclosure before installing the cooling fan package.

To avoid electric shock, do not energize any circuits before all internal and external electrical and mechanical clearances are checked to assure that all assembled equipment functions safely and properly.

GENERAL SAFETY INFORMATION

1. Protect the fan power cord (or lead wires) from coming in contact with sharp objects, hot surfaces, and/or chemicals.

⚠ CAUTION

These fan packages are not designed for use in hazardous locations

