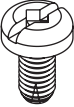

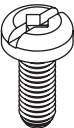


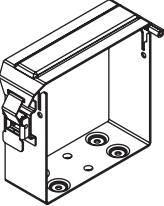

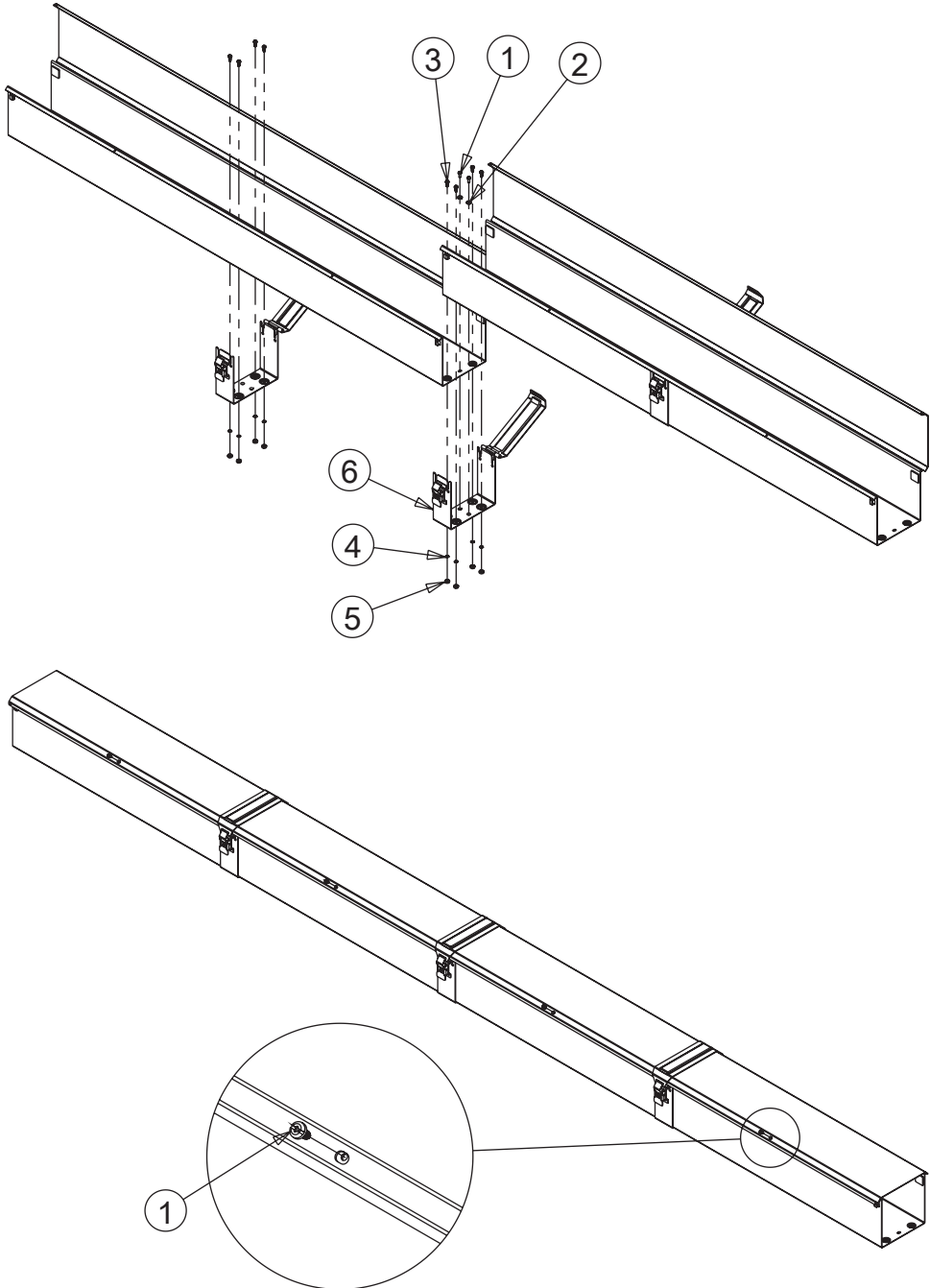
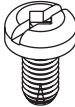
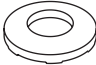
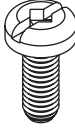


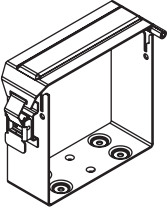
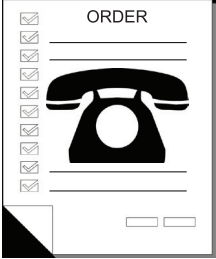
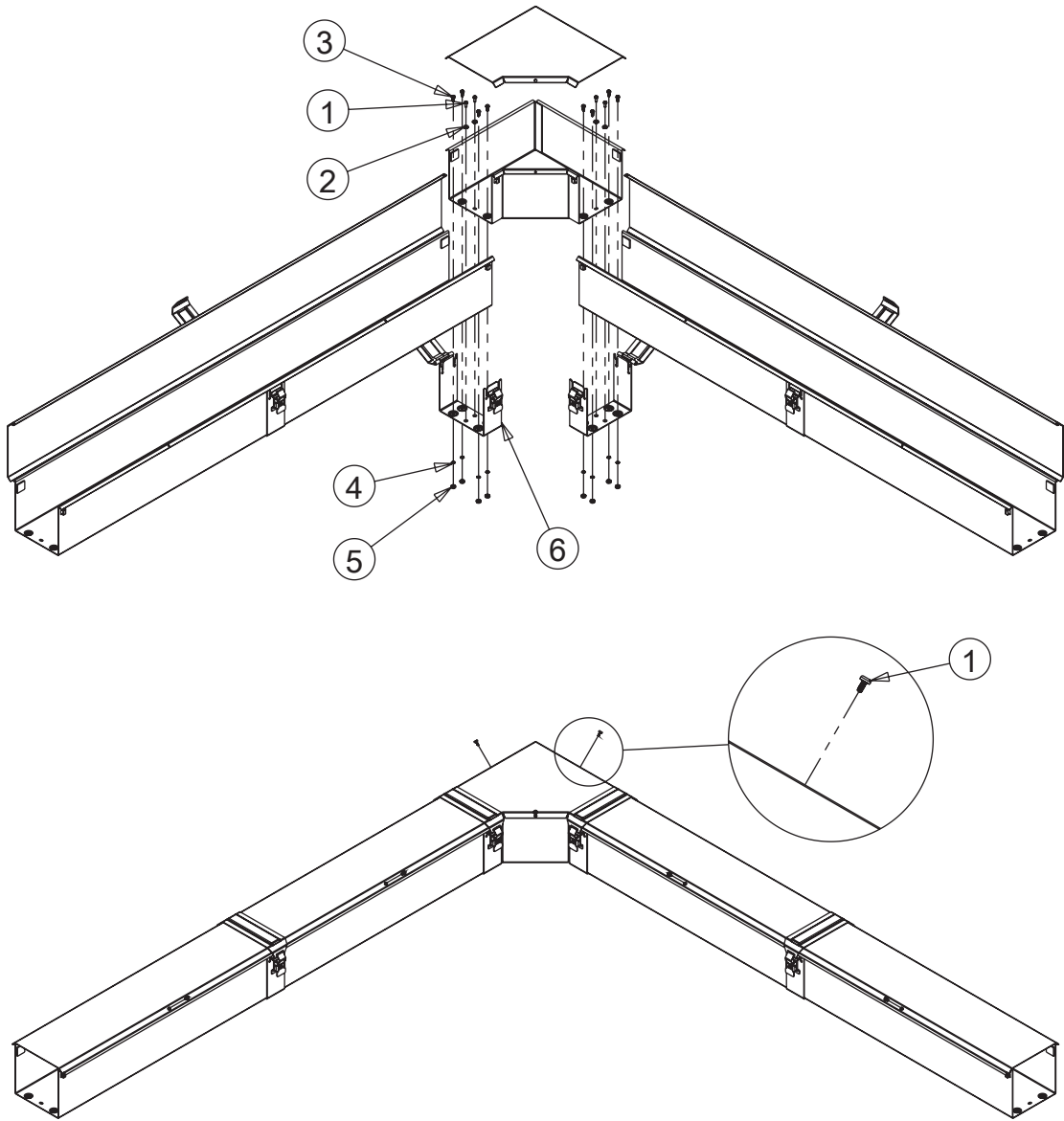


1 10-32X.375  (6x)	2 M6  (2x)	3 10-32X.500  (12x)	4 #10  (12x)
5 10X32  (12x)	6  (0x)		



<p>1 10-32X.375</p>  <p>(7x)</p>	<p>2 M6</p>  <p>(4x)</p>	<p>3 10-32X.500</p>  <p>(8x)</p>	<p>4 #10</p>  <p>(8x)</p>
<p>5 10X32</p>  <p>(8x)</p>	<p>6</p>  <p>(0x)</p> 		





HOFFMAN