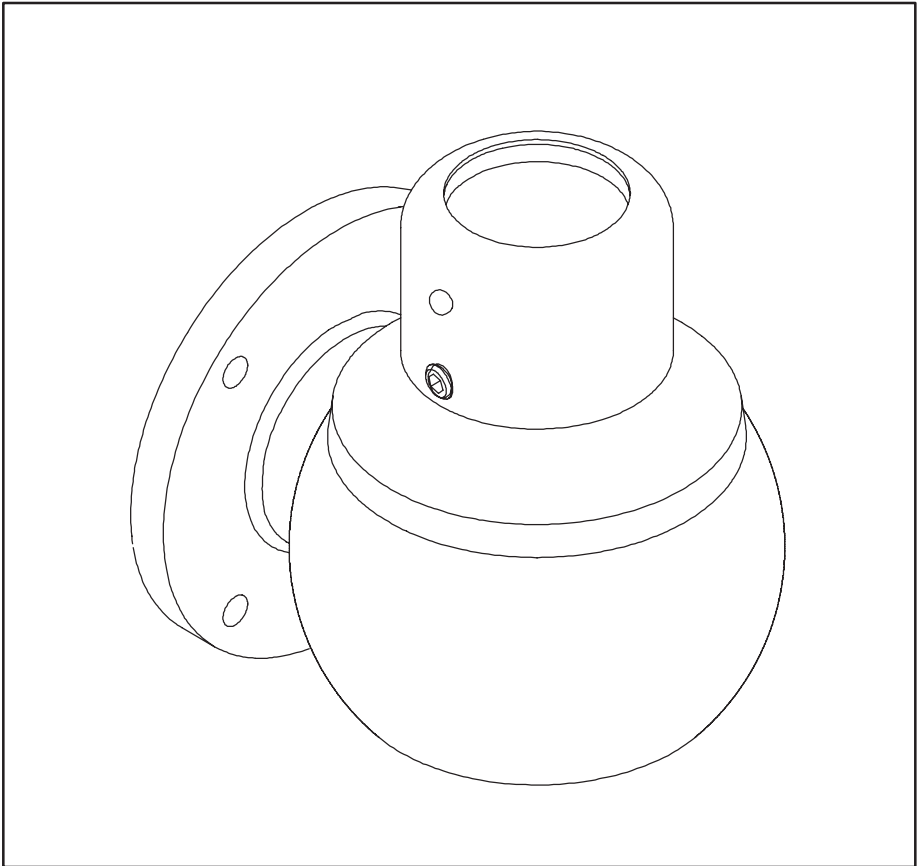


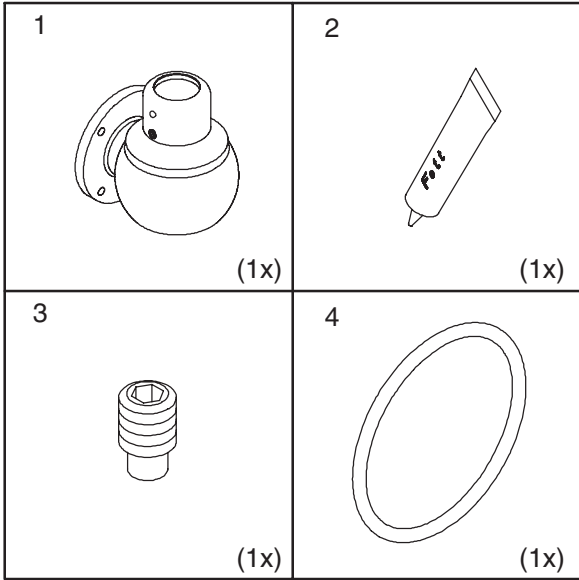


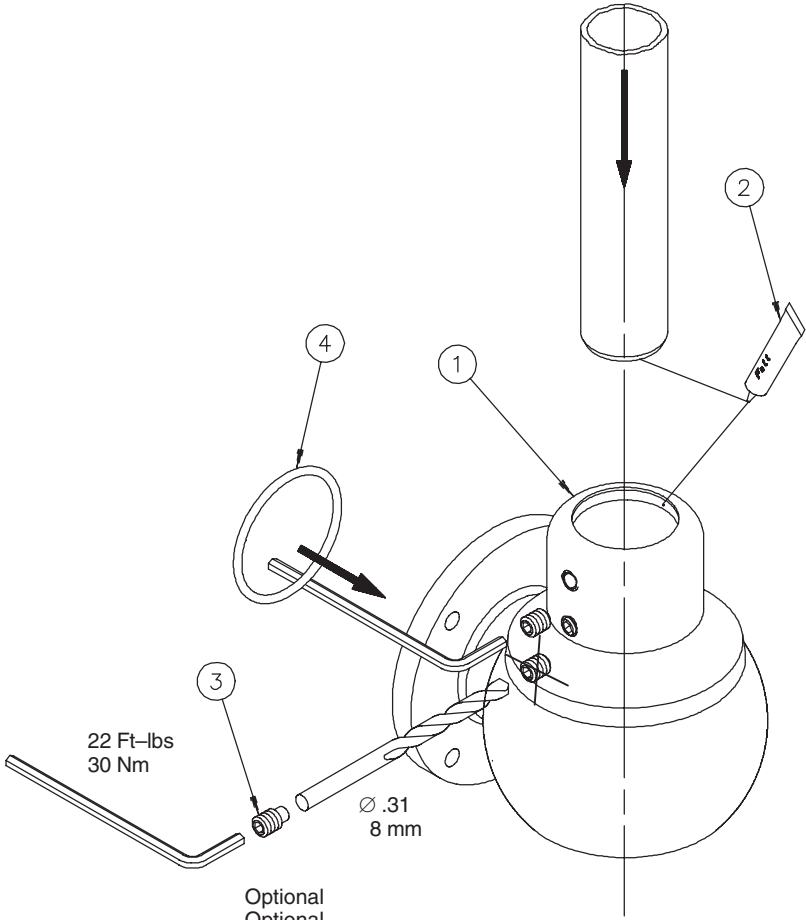
HOFFMAN

CS480

Wall Joint
Wandgelenk
articulation murale
unión para pared



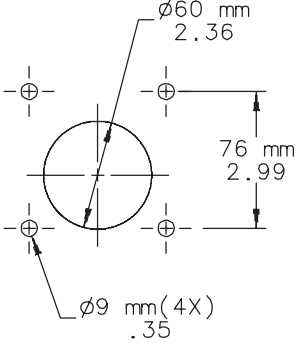




22 Ft-lbs
30 Nm

Ø.31
8 mm

Optional
Optional
Optionnel
Opcional





HOFFMAN