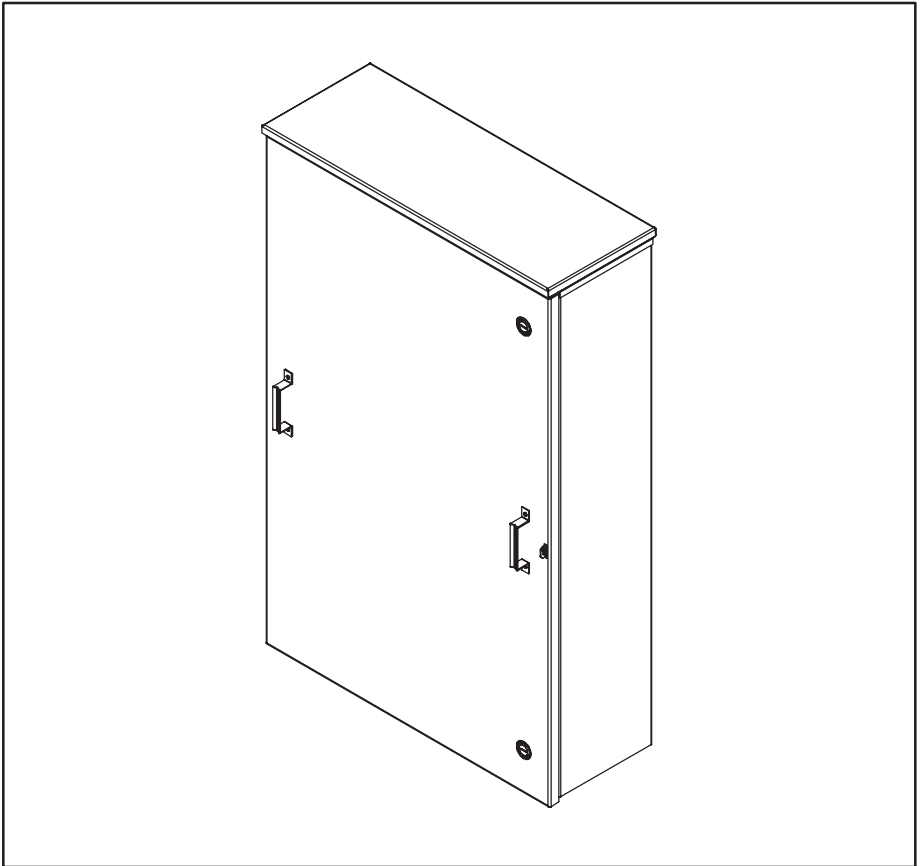

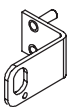
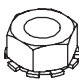



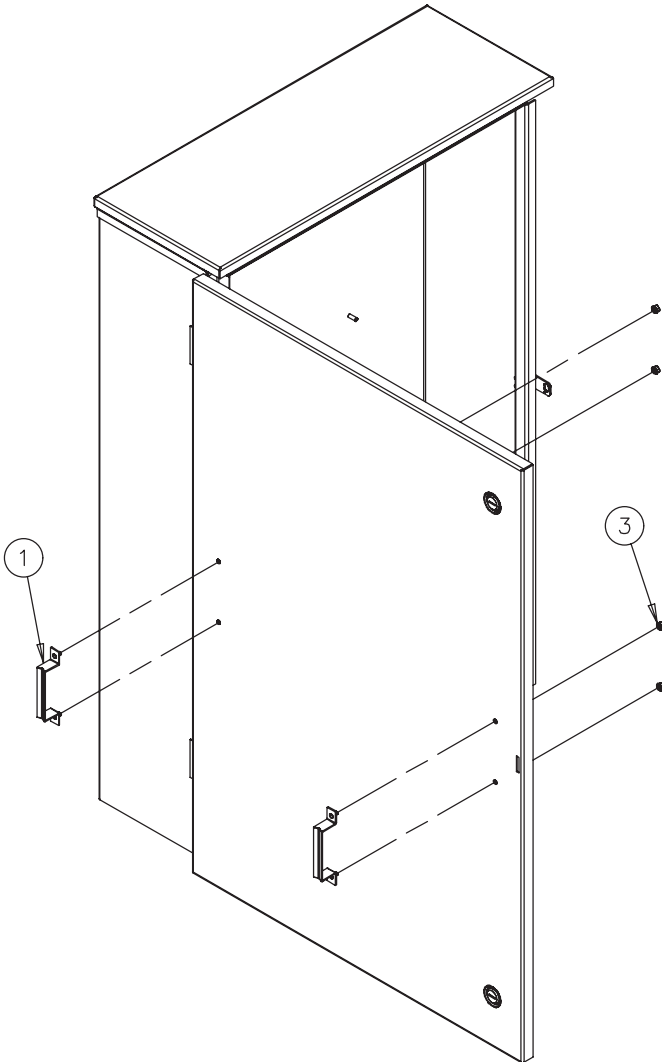


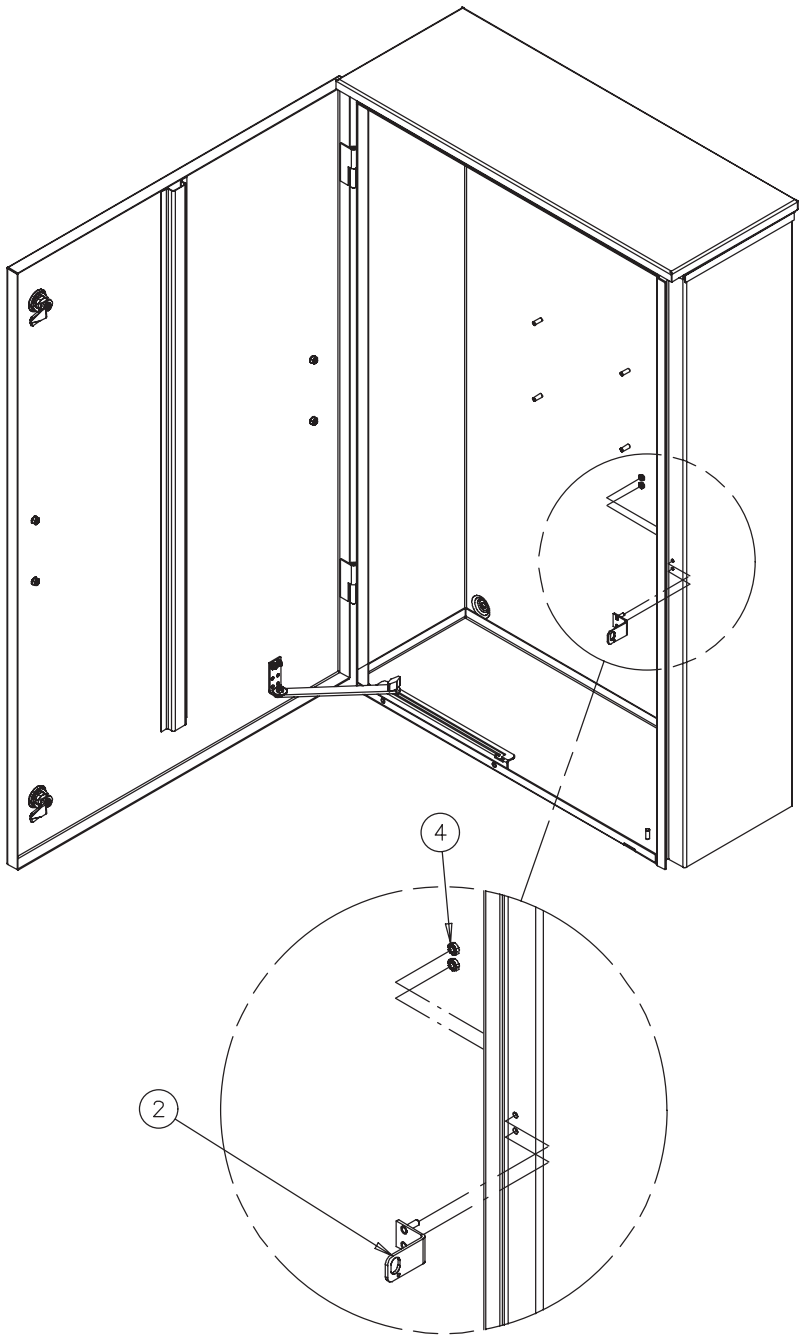
HOFFMAN

Current Transformer Hinged Cover Enclosure



<p>1</p>  <p>(2x)</p>	<p>2</p>  <p>(1x)</p>	<p>3</p> <p>1/4-20</p>  <p>58 in-lbs 6 N-m</p> <p>(4x)</p>	<p>4</p> <p>10-32</p>  <p>27 in-lbs 3 N-m</p> <p>(2x)</p>
---	--	---	--







HOFFMAN