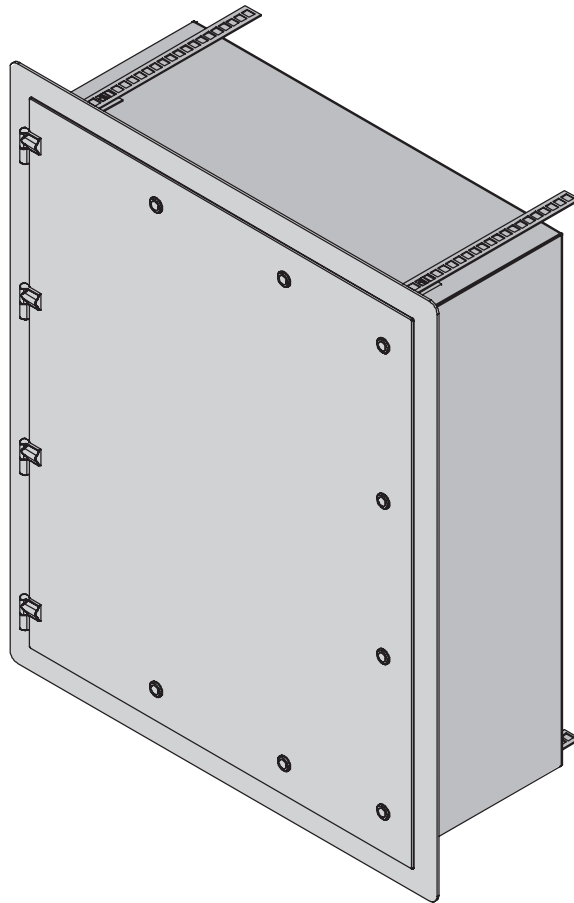
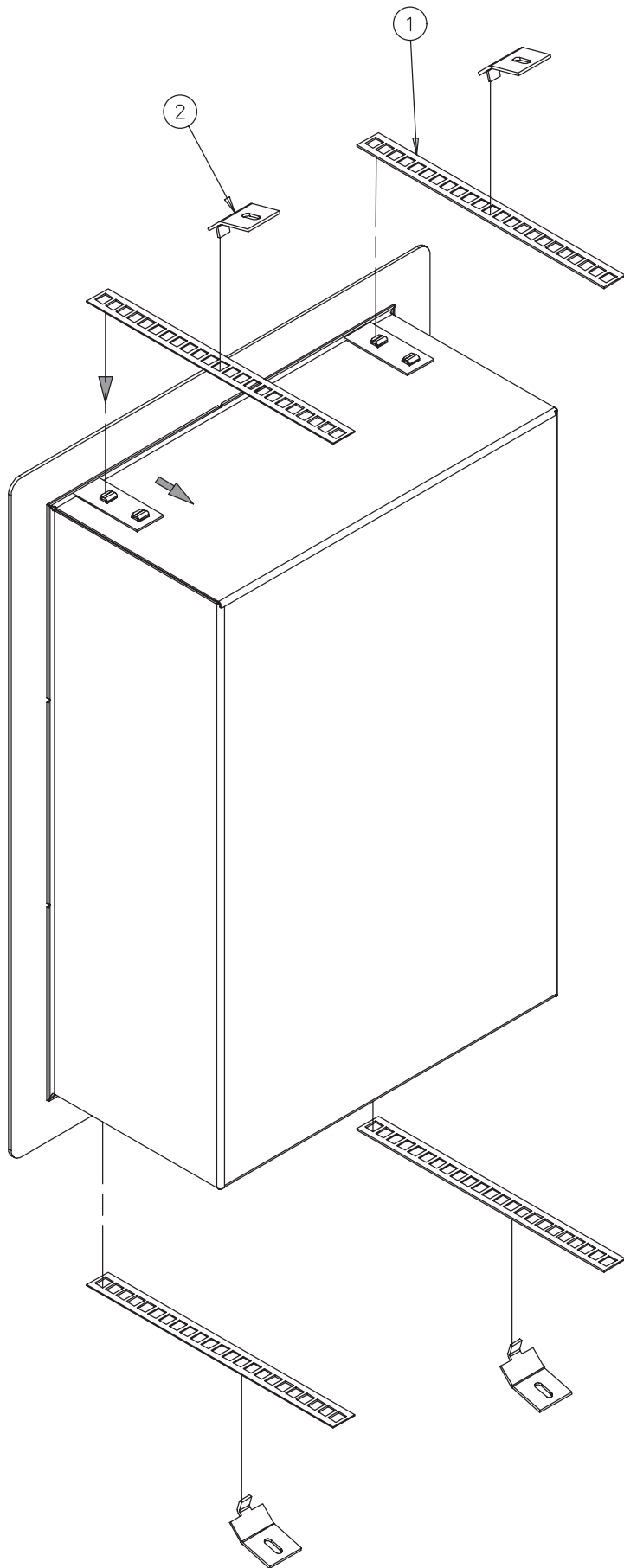
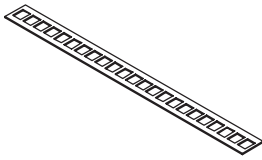
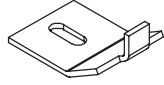
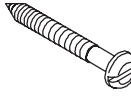

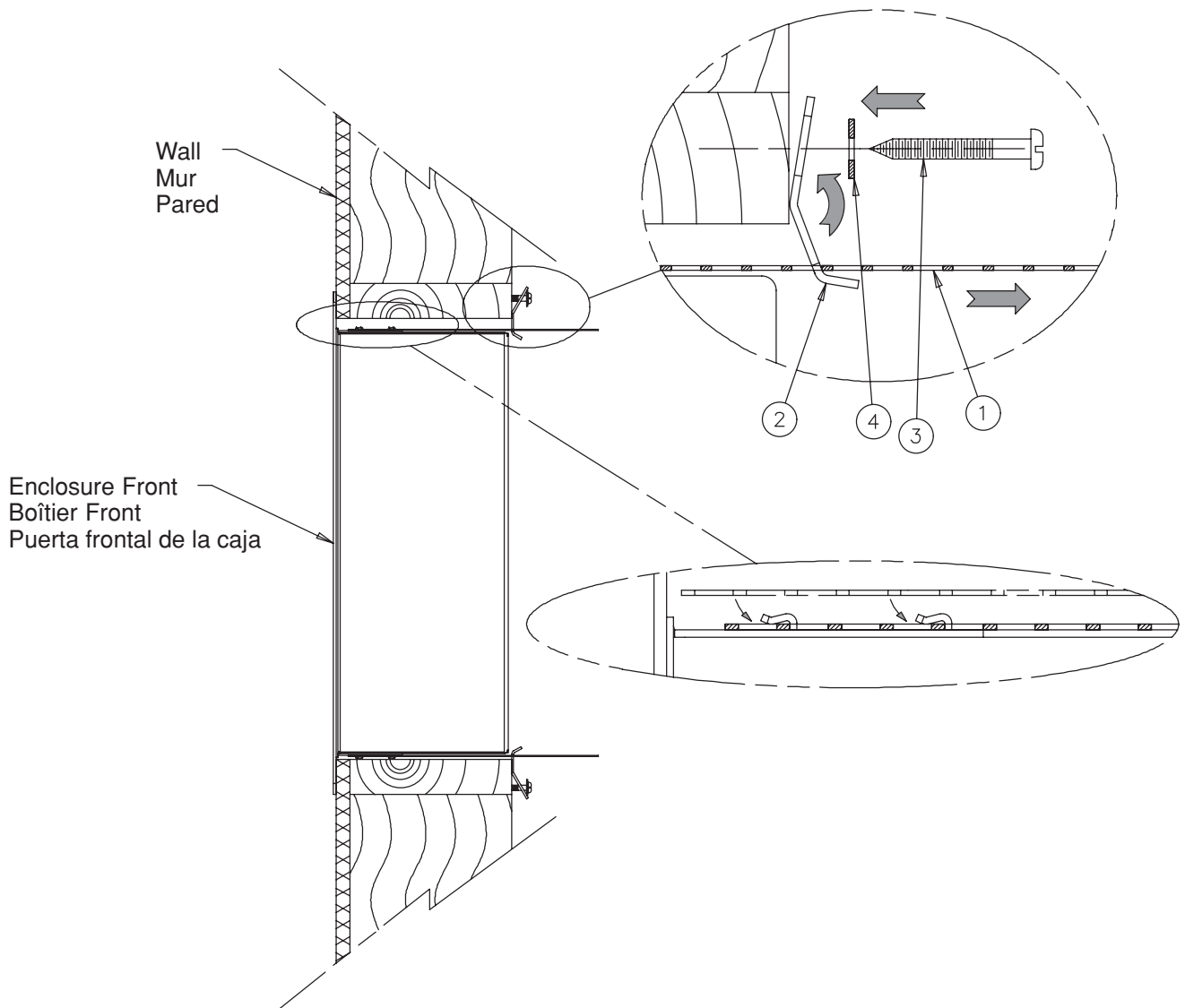


Pharmaceutical Flush-Mount Enclosure  
Pharmaceutique Rincer-Monter Le Boîtier  
Farmacéutico Limpiar-Montar La Caja





<p>1</p>  <p>(4x)</p>	<p>2</p>  <p>(4x)</p>	<p>3</p>  <p>Customer Supplied Non Fournie Cliente Provisto</p>	<p>4</p>  <p>Customer Supplied Non Fournie Cliente Provisto</p>
--	--	---	--





**HOFFMAN**