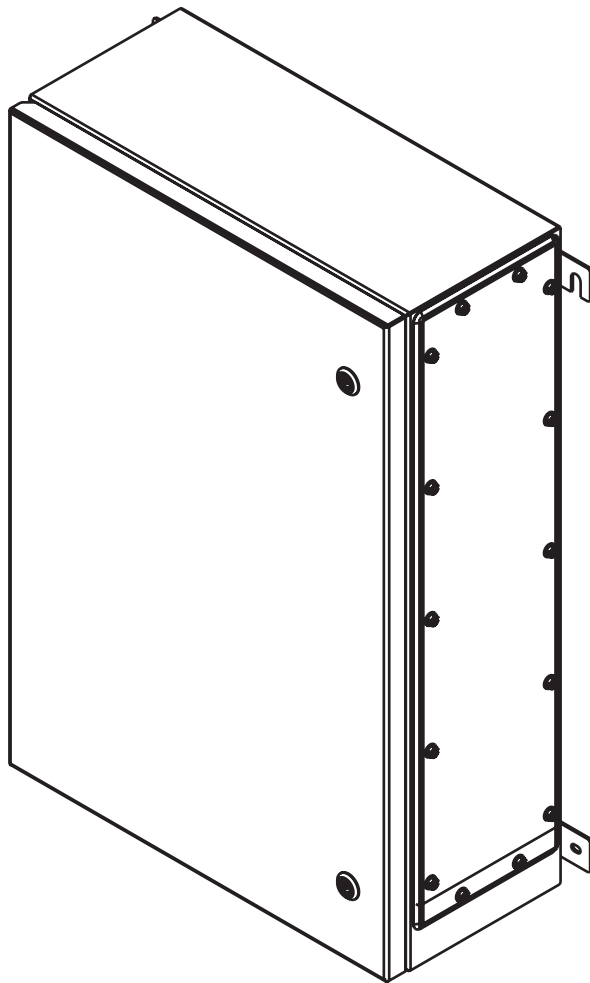


ZONEX



NOTES:

Industry Standards:

ATEX Directive 2014/34/EU

ATEX

Sira 09ATEX3224U

2813  II 2 G D

Ex eb IIC Gb

Ex tb IIIC Db IP 66

EN 60079-0

EN 60079-7

EN 60079-31

IECEX

IECEX SIR 09.0099U

Ex eb IIC Gb

Ex tb IIIC Db IP 66

IEC 60079-0

IEC 60079-7

IEC 60079-31

AEx/Ex

UL File E67456 Class I, Zone I

AEx eb IIC Tamb -50C to +80C

Ex eb IIC U Tamb -50C to +80C

UL 508A Listed; Type 4, 4X, 12; File No. E61997

cUL C22.2 No. 94 Listed; Type 4, 4X, 12; File No. E61997

NEMA/EEMAC Type 4, 4X, 12

IEC 60529, IP66

ATEX and IEC Ex Service temperature of Standard Silicon Gasket is -55C to 180C.

Drill holes in gland plates only (see gland plate location).

1. Drill holes in gland plates only (see gland plate location)
2. Do not drill holes closer than 1.625 inches from the edge.
3. Visually inspect gaskets, locks and screws after each opening of covers or removing of gland plates.
4. Internal body grounding terminal shall be used for the equipment grounding connection and the external is for supplementary bonding connection where local codes or authorities permit or require such connection.
5. Earth grounding must be connected by lug on end of the cable. (A UL listed ring connector is required for Class I, Zone1 applications).
6. The number and arrangement of terminal blocks or other wiring terminals is to be determined in the end-use investigation.
7. Enclosure openings must be filled by equipment marked with the same certification as the enclosure.

General Guide to Cable Entry Positions into Cable Gland or Enclosure Side:

a. Maximum hole diameter is major thread diameter of cable gland plus 0.7mm (.03")

b. Minimum material to be maintained between holes:

Glands M16 through M32: 15mm (0.59")

Glands M35 through M75: 20mm (0.79")

Glands M75 through M100: 35mm (1.38")

Prior to making holes in the enclosure wall or gland plate, verify that the selected gland will not have interference with the sealing washer and lock nut.

c. Hole location must be located so sealing washer and locknut do not interfere with gasket.

d. Select a gland for the correct application with the proper certifications. Make certain all cable gland accessories are included for through hole installation. Additional accessories may include locknut and sealing washers.

e. Install the gland in accordance to the manufacturers instructions.

8. Painted Enclosures require these additional instructions:

For fixed installations minimize the risk of electrostatic discharge of painted enclosures.

a. Remove the explosive atmosphere prior to contact or cleaning

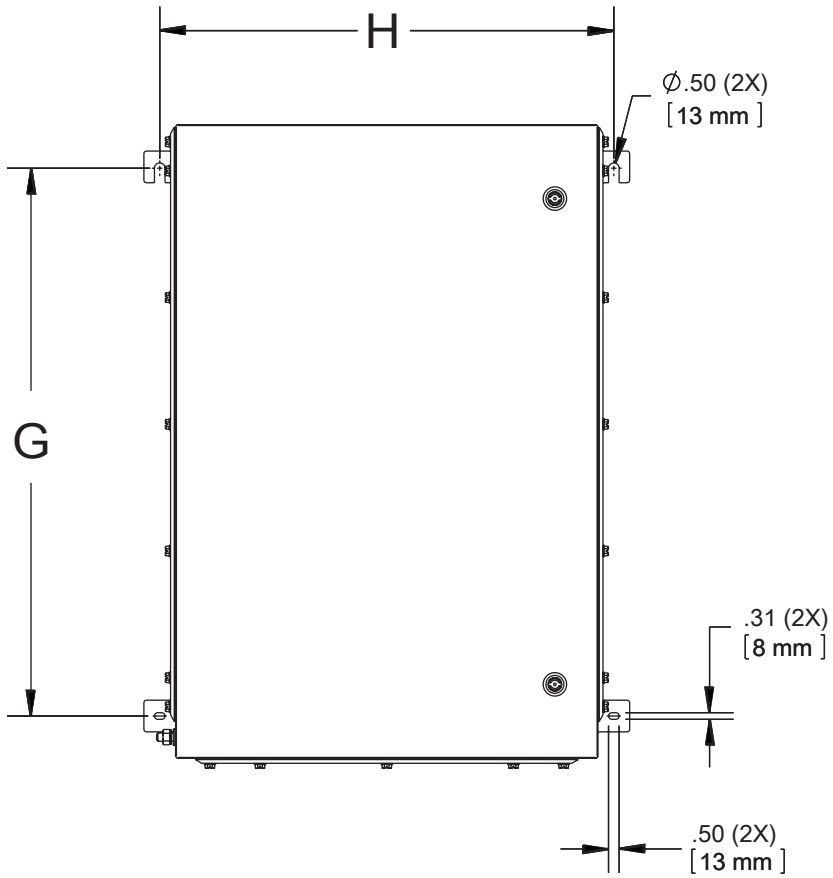
b. Make certain enclosure is grounded and external enclosure ground connection is made; all conducting parts should be properly bonded.

WARNING: Potential electrostatic charging hazard.

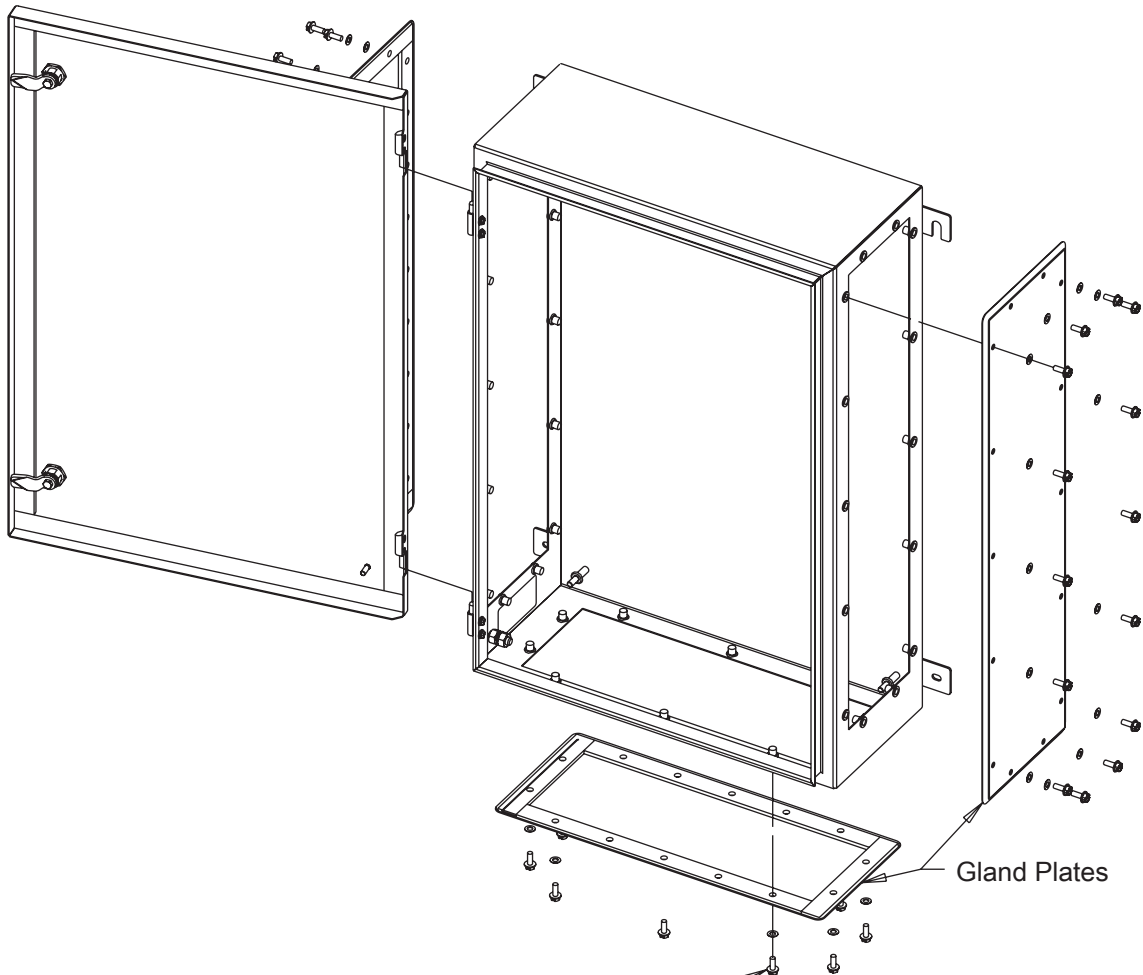
c. For painted surfaces, avoid friction with surface, only clean with wet cloth moistened with de-ionized water.

d. Avoid contact in low relative humidity environments. Increase environment humidity where possible.

9. Warning for end product assembly: Do not open when energized.

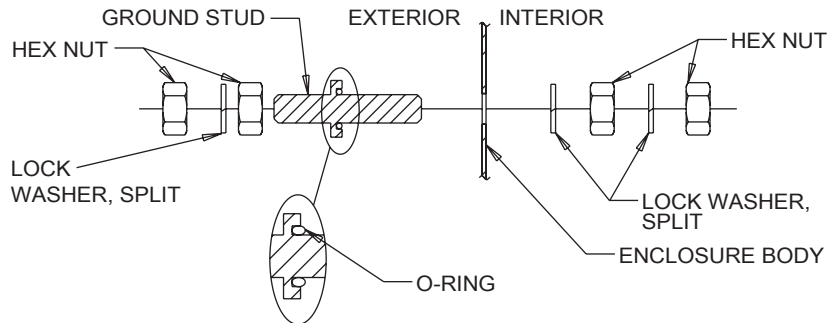


Gland Plates		Mounting Dimensions			
One	Three	G		H	
Catalog Number		(in.)	(mm)	(in.)	(mm)
ATEX262616SS61	ATEX262616SS63	6.17	157	11.74	298
ATEX262620SS61	ATEX262620SS63	6.17	157	11.74	298
ATEX303016SS61	ATEX303016SS63	7.99	203	13.55	344
ATEX303020SS61	ATEX303020SS63	7.99	203	13.55	344
ATEX382616SS61	ATEX382616SS63	10.90	277	11.74	298
ATEX382620SS61	ATEX382620SS63	10.90	277	11.74	298
ATEX453816SS61	ATEX453816SS63	13.97	355	16.54	420
ATEX484820SS61	ATEX484820SS63	14.84	377	20.40	518
ATEX503516SS61	ATEX503516SS63	15.62	397	15.28	388
ATEX503520SS61	ATEX503520SS63	15.62	399	15.28	388
ATEX624520SS61	ATEX624520SS63	20.35	517	19.22	488
ATEX745520SS61	ATEX745520SS63	25.07	637	23.15	588
ATEX765020SS61	ATEX765020SS63	25.94	659	21.50	546



Gland Plates

30-35 in-lbs
 3.4-3.9 Nm
 For grounding at least one fastener on each gland plate must not have a nylon washer under the head.



BODY GROUNDING TERMINAL