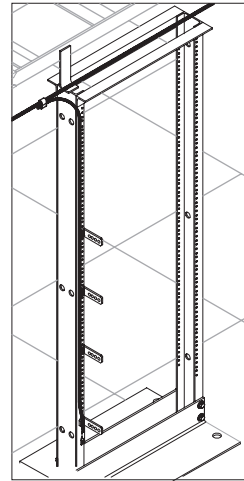
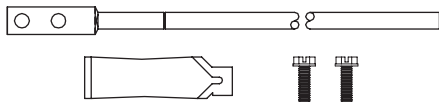
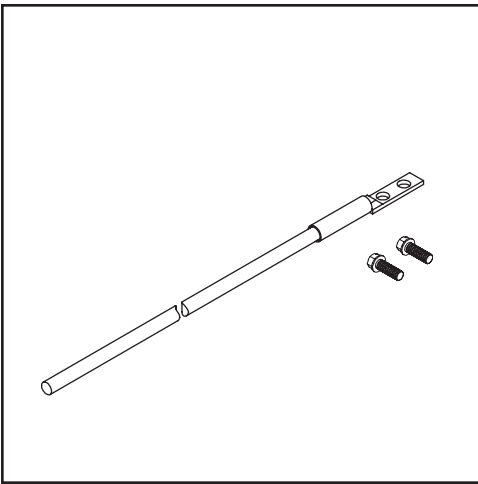


## Rack Jumper Kit



### Description

Used for bonding equipment racks or cabinets and other metallic bodies found within the telecommunications space.

### Instructions

1. Locate area on the rack or cabinet in which the jumper is to be attached.
2. Remove all paint, oxidation, etc from the cable tray surface; a grinding tool is recommended.
3. Apply a generous coating of zinc-based antioxidant to the cable tray surface around the holes.
4. Attach jumper (lug end) to the equipment rack or cabinet using the two thread forming screws provided.
5. Wipe off any excess antioxidant material.
6. Strip 1" of insulation from the end of the jumper.
7. Attach stripped end to the Telecommunications Equipment Bonding Conductor (TEBC) using appropriate, irreversible crimp connector for example DGT1.