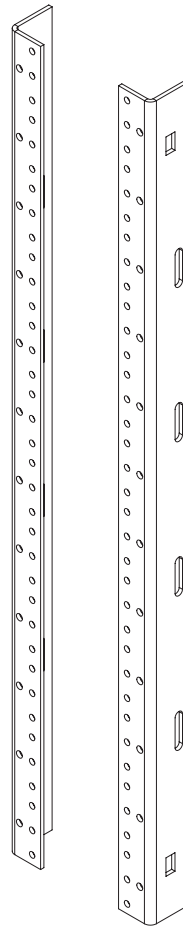
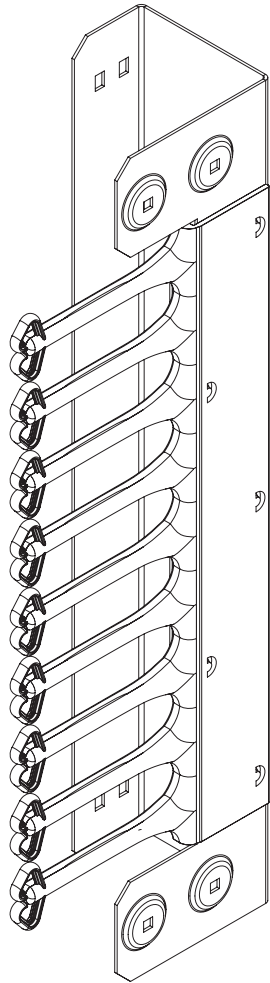
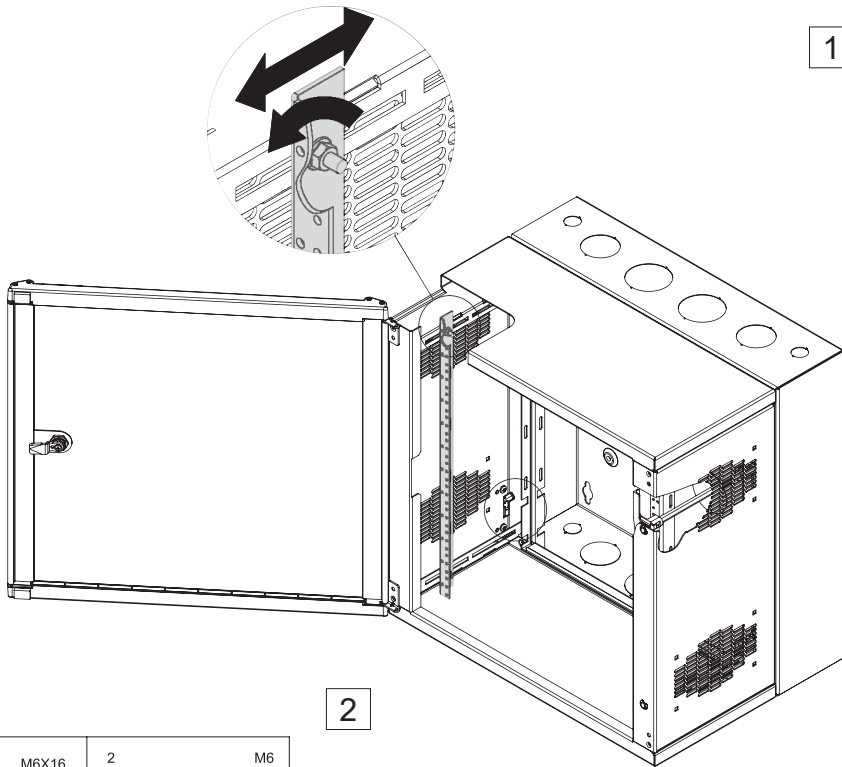
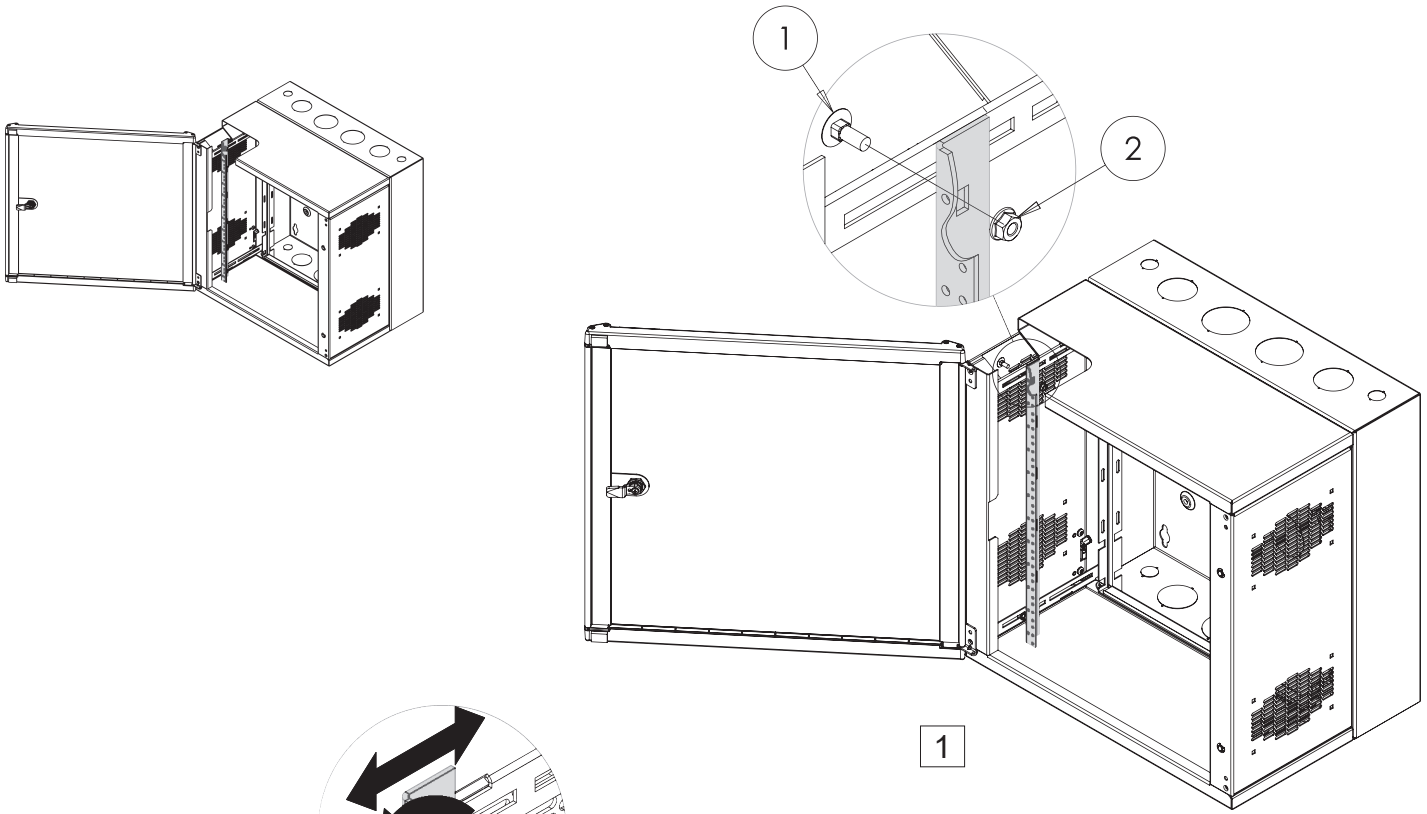
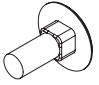

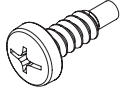


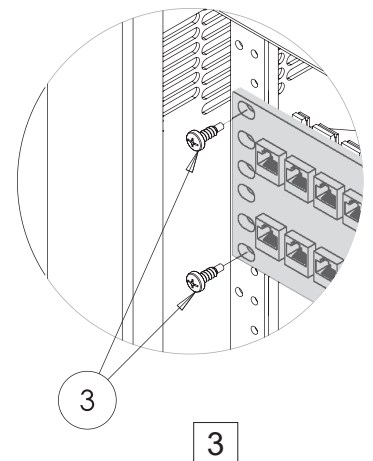
**ACCESSPLUS II®**

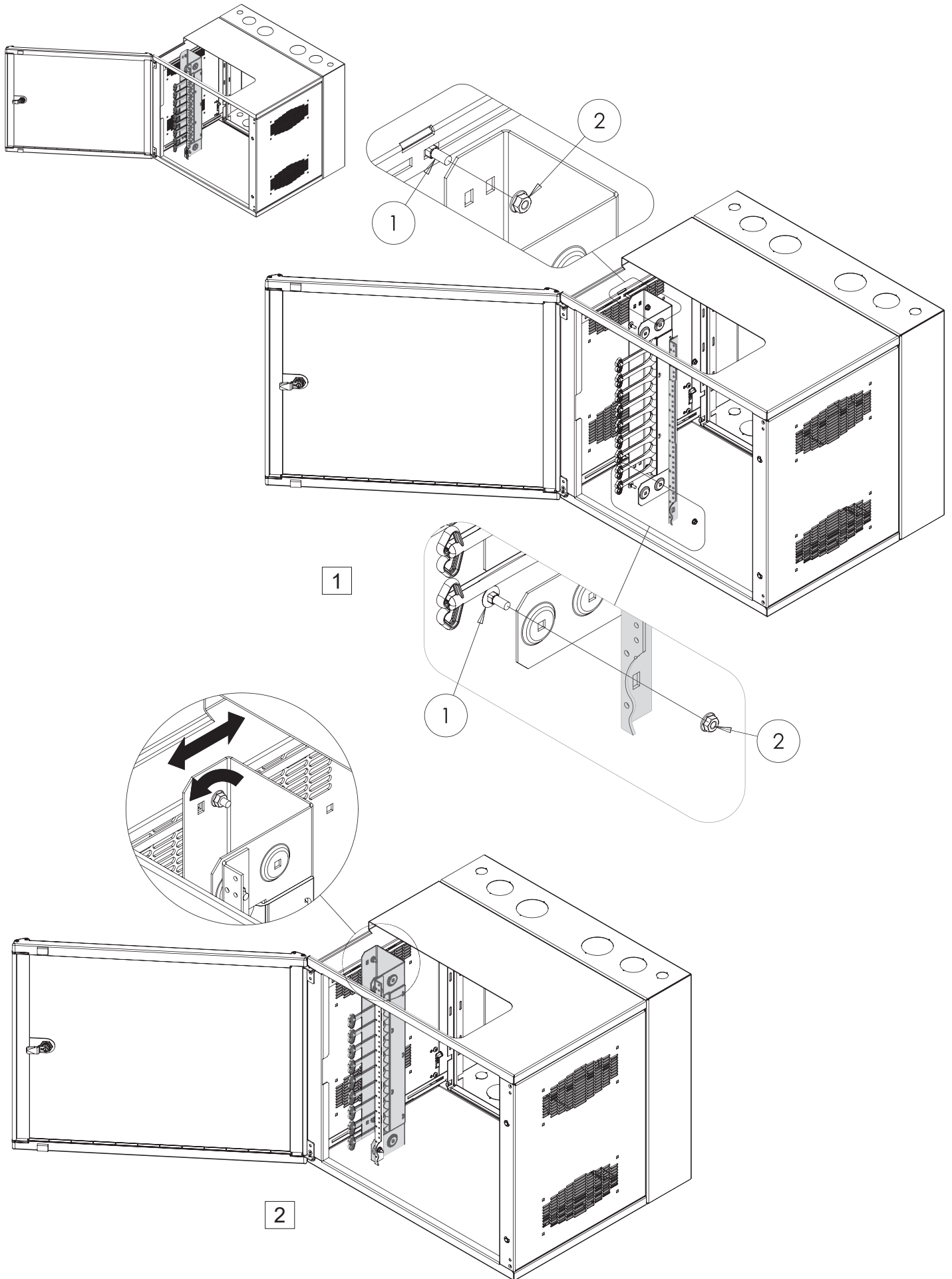
Cable Manager  
Rack Angles





1	M6X16	2	M6
	(4X)		(4X)
3	10-32X5/8		
	(0X)		







**HOFFMAN**