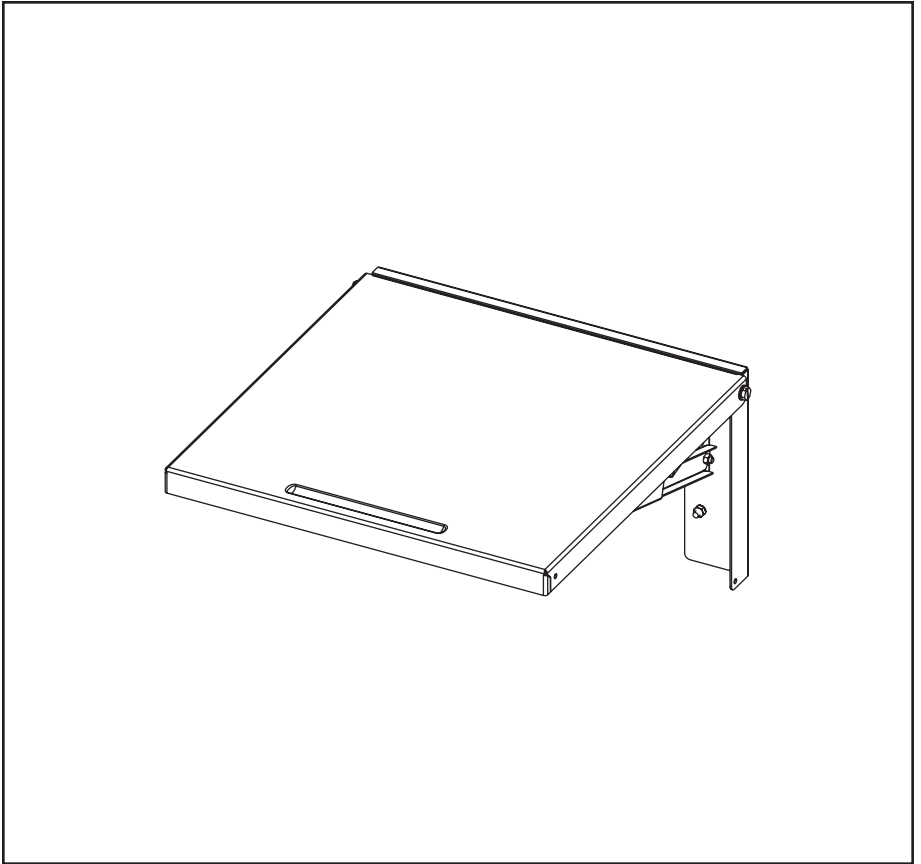
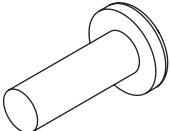
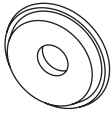



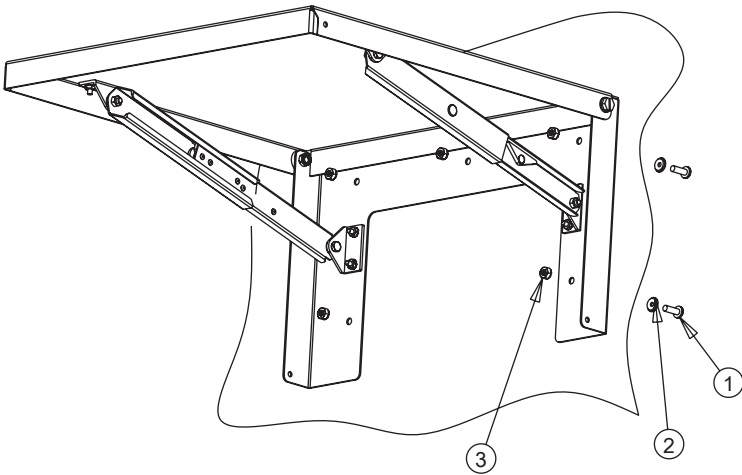


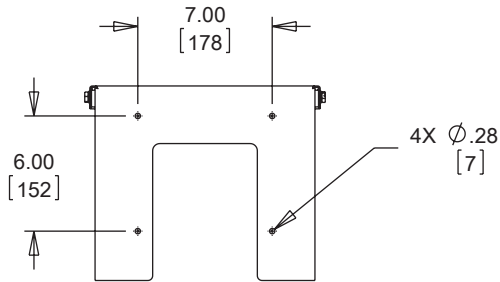
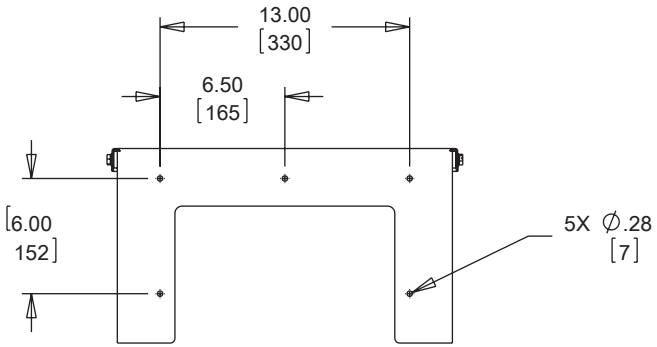
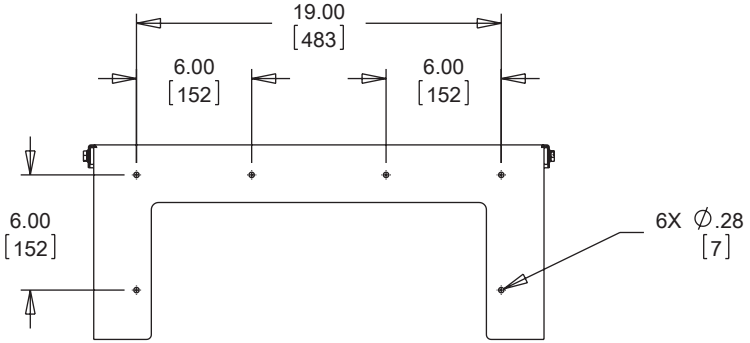
HOFFMAN



<p>1</p> <p>1/4-20x.75</p>  <p>(6X)</p>	<p>2</p>  <p>(6X)</p>	<p>3</p> <p>1/4-20</p>  <p>(6X)</p>
--------------------------------------------------------------------------------------------------------------------------	--------------------------------------------------------------------------------------------------------	----------------------------------------------------------------------------------------------------------------------

Maintains UL and CSA Type 4, 4X and 12 enclosure rating when installed per these instructions.







HOFFMAN