


IMPORTANT NOTICE

This folding shelf will not be available after June 31, 2009. We have a new and improved shelf that is now available (specifications are listed below). Please make necessary arrangements to begin ordering the new shelves. We apologize for any inconvenience this may cause.


1. The replacement for ACSHELF12 (23680) will be **AASHLF1218 (26509)**
 - The new shelf has a different mounting hole pattern and is 6 inches longer.
2. The replacement for ACSHELF18 (22910) will be **AASHLF1818 (26519)**
 - This new shelf has a different mounting hole pattern.
3. There is also an additional 24 x 24-inch size available **AASHLF2424 (26529)**



Accessories: Shelves, Keyboard Trays and Gland Plates

Folding Shelves

Large Folding Shelf

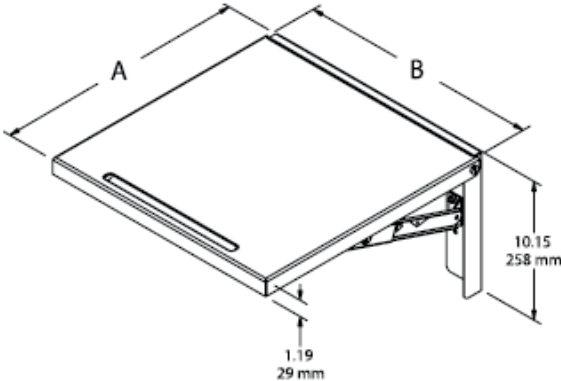


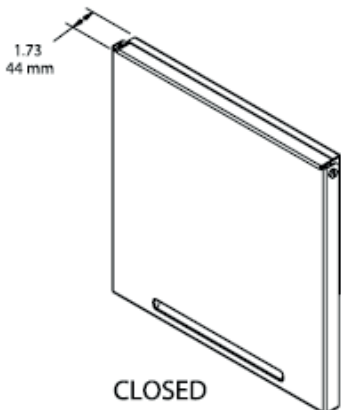
Supports instruments and test equipment used to install and maintain electrical components in an enclosure. Also ideally suited for supporting laptop computers, monitoring units and other equipment used with programmable controllers. The shelf can be installed on the inside or outside surface of larger Hoffman industrial enclosures (except PROLINE®). Automatically locks in the horizontal position when raised. When not in use, the shelf folds to 1.73 in. (44 mm) from the mounting surface. All parts are heavy gauge steel and painted white. Maintains NEMA Type 4 and Type 12 when properly installed on a Hoffman enclosure.

Bulletin: A34Y, A80

Catalog Number	Size AxB in./mm	Maximum Distributed Load Rating (lbs.)	Maximum Distributed Load Rating (kgs)	Finish
AASHLF1218	18 x 12 457 x 305	150	68	White
AASHLF1818	18 x 18 457 x 457	150	68	White
AASHLF2424	24 x 24 610 x 610	150	68	White

Catalog numbers ACSHELF12 and ACSHELF18 have been obsoleted. Please use the shelves above as replacements.





CLOSED