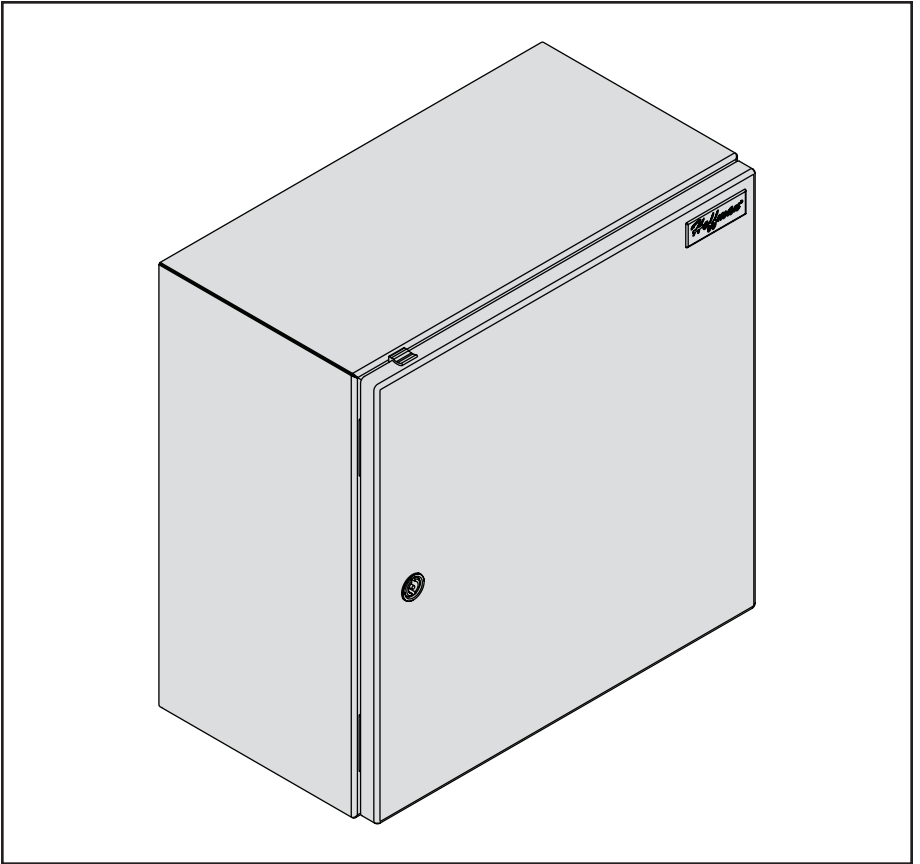
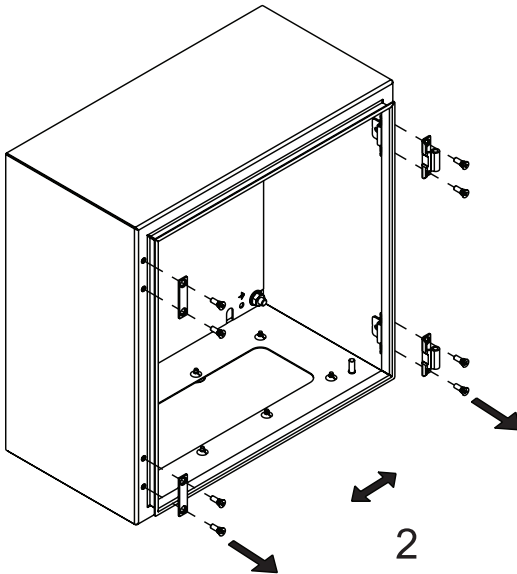
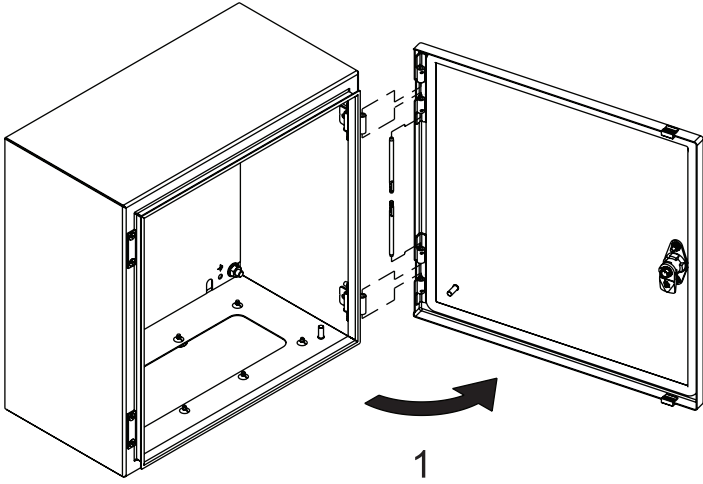
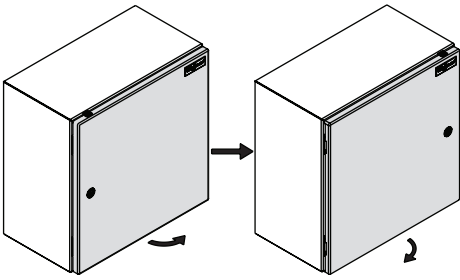
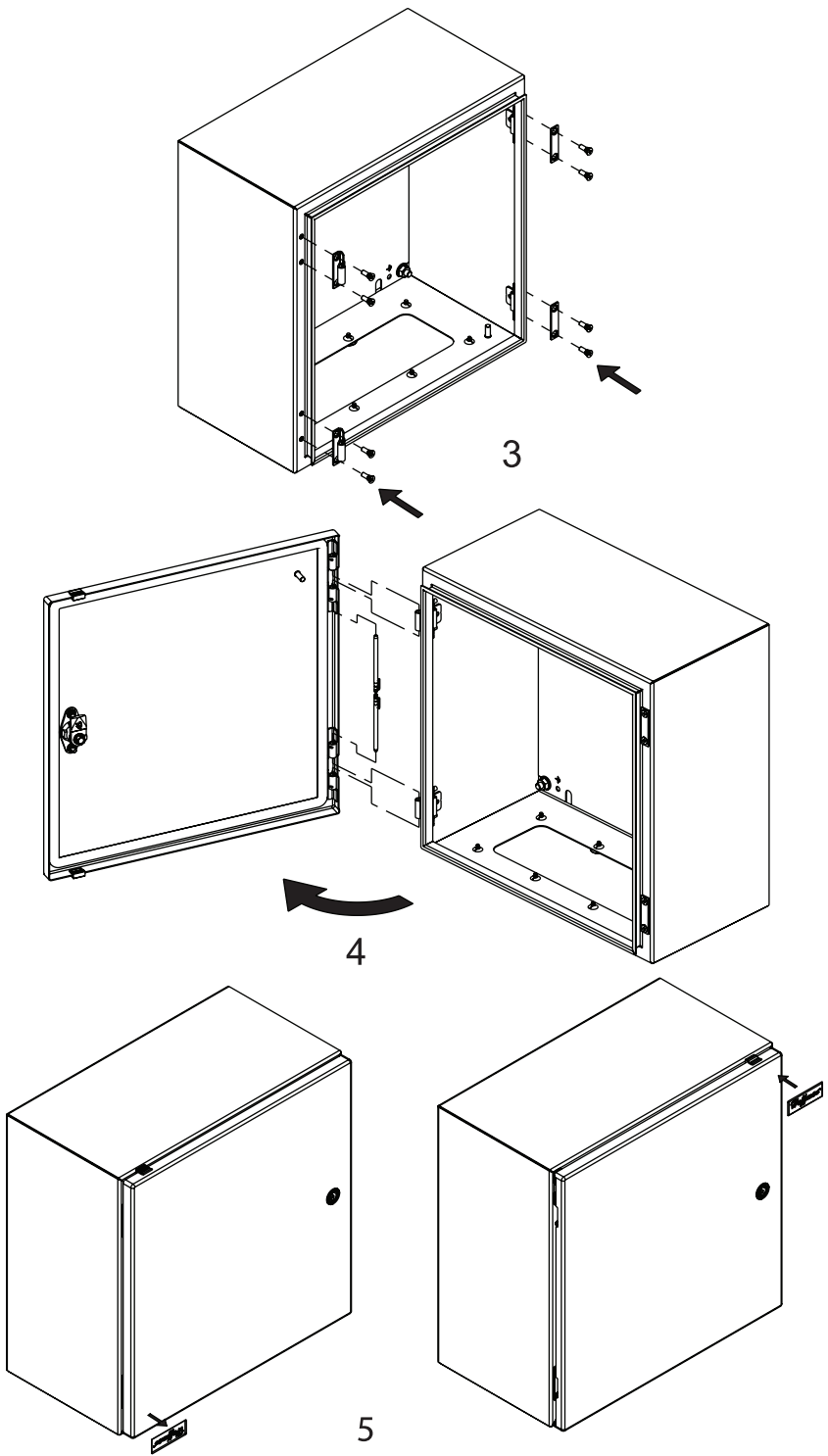


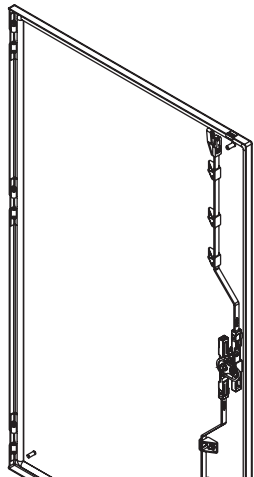
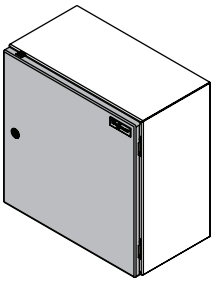


**HOFFMAN**

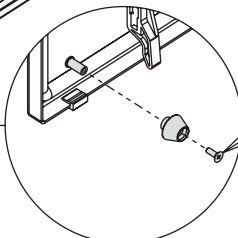
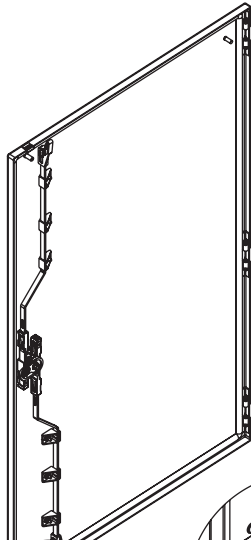
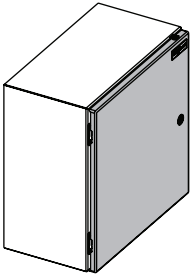
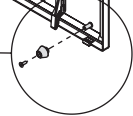
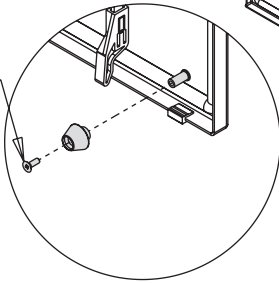




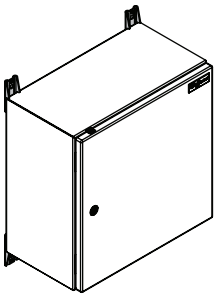



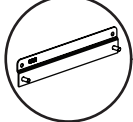


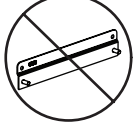




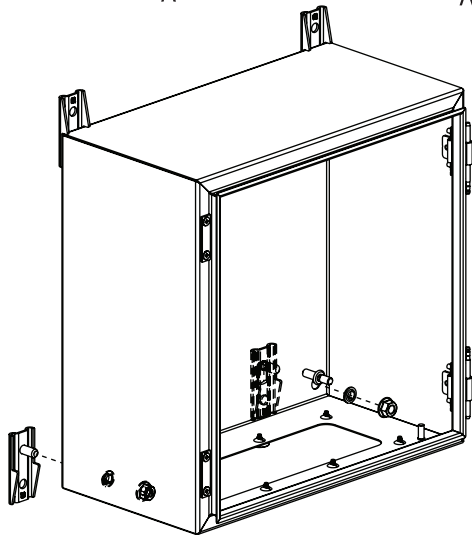
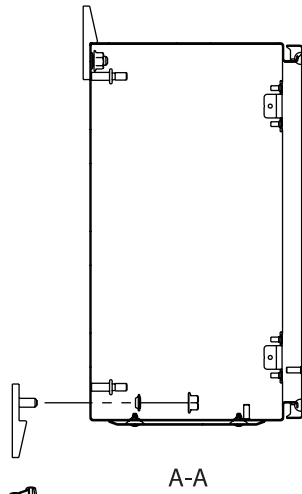
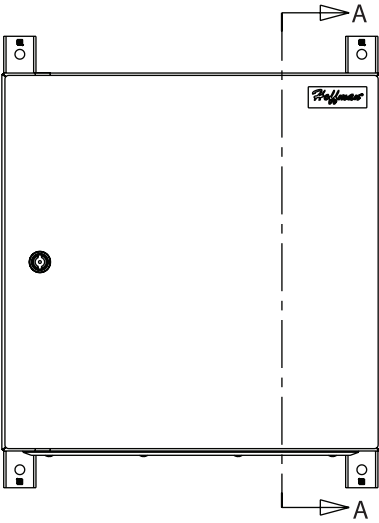
38 IN-LB  
(4.3 Nm)

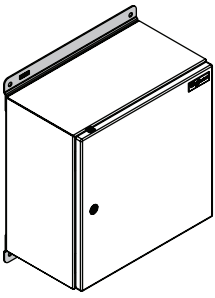



38 IN-LB  
(4.3 Nm)

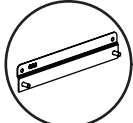




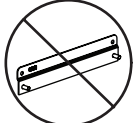


 CMFK CMFKSS CMTGFT GMTBKTMS			
			



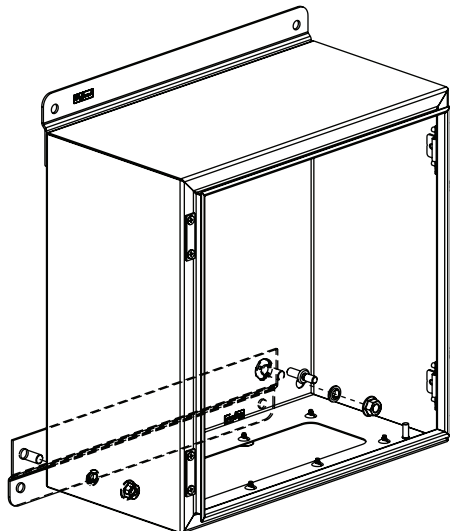
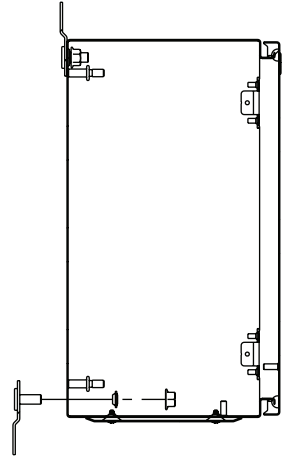
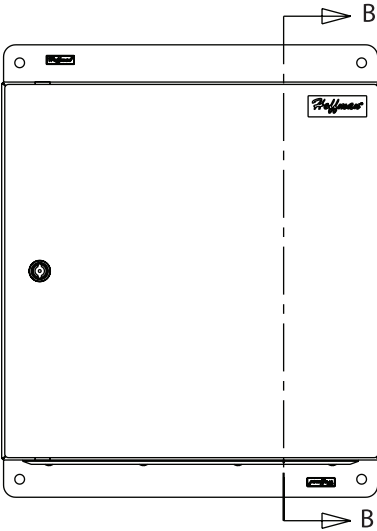


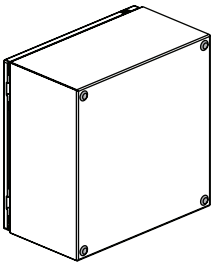



  → 

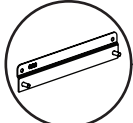


  → 

CMFK  
CMFKSS  
CMTGFT  
GMTBKTMS






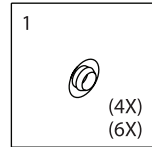
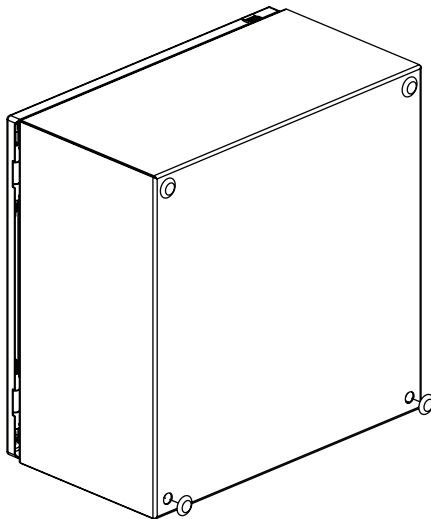
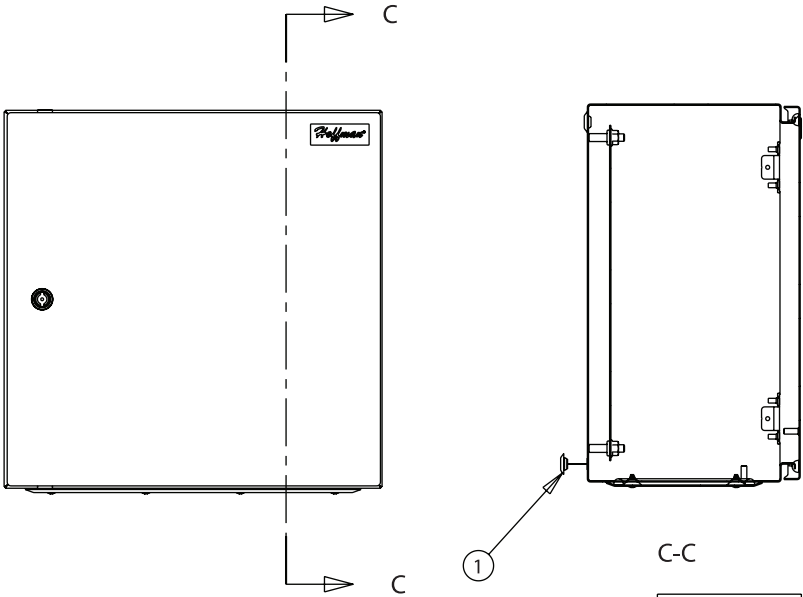


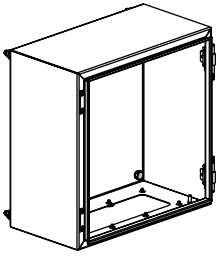



  → 

CMFK  
CMFKSS  
CMTGFT  
GMTBKTMS

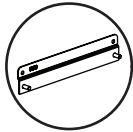
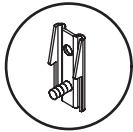

  → 

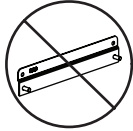







CMFK  
CMFKSS  
CMTGFT  
GMTBKTMS

  → 

  → 